



SERVING THE FOOD INDUSTRY SINCE 1951

PIZZA MOULDER WITH 15.75" MAX ROLLER WIDTH

Item: 13177

Model: BE-IT-0406

This commercial automatic electric pizza moulder saves time in pizza and bread dough rolling. The dough is not heated in the process and its characteristics are not affected. Thickness and diameter can easily be adjusted.

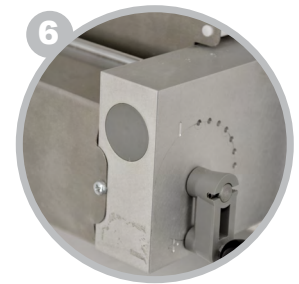
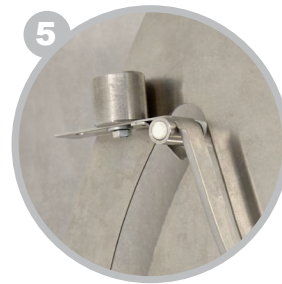
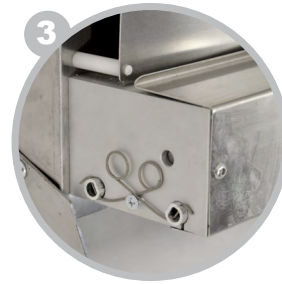
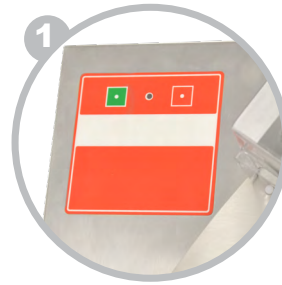


Authorized Dealer

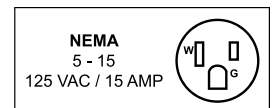
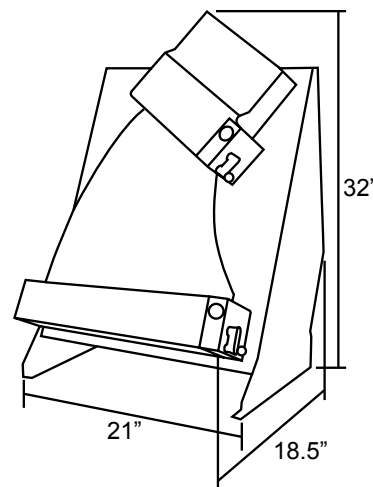


FOOD EQUIPMENT

PIZZA MOULDER WITH 15.75" MAX ROLLER WIDTH



TECHNICAL SPECIFICATION	
ITEM NUMBER	13177
MODEL	BE-IT-0406
POWER	0.5 HP / 0.37 kW
DOUGH WEIGHT	210 - 600 gr
PIZZA DIAMETER	10.2"-15.7" / 260 - 400 mm
ELECTRICAL	110 V/60Hz/1Ph
DIMENSIONS (DWH)	18.5" x 21" x 32" / 470 x 533 x 812.8 mm
PACKAGING DIMENSIONS	31" x 24" x 23" / 787 x 609.6 x 584 mm
PACKAGING WEIGHT	79 lbs / 35.8 kg



OMCAN INC.

Telephone: 1-800-465-0234
 Fax: (905) 607-0234
 Email: sales@omcan.com
 Website: www.omcan.com



Follow us to keep up to date with the latest news and offers

