



Stock Carts

ITEM: 31433
31277

31433



Quality Construction, Long Lasting Operations.

With sturdy construction and quality steel, our stock carts will endure tough every day handling. Finished in a smooth surface for easy cleaning, they are great for supermarkets and various other food service logistical operations.

31277



**Item 31277 is delivered unassembled*

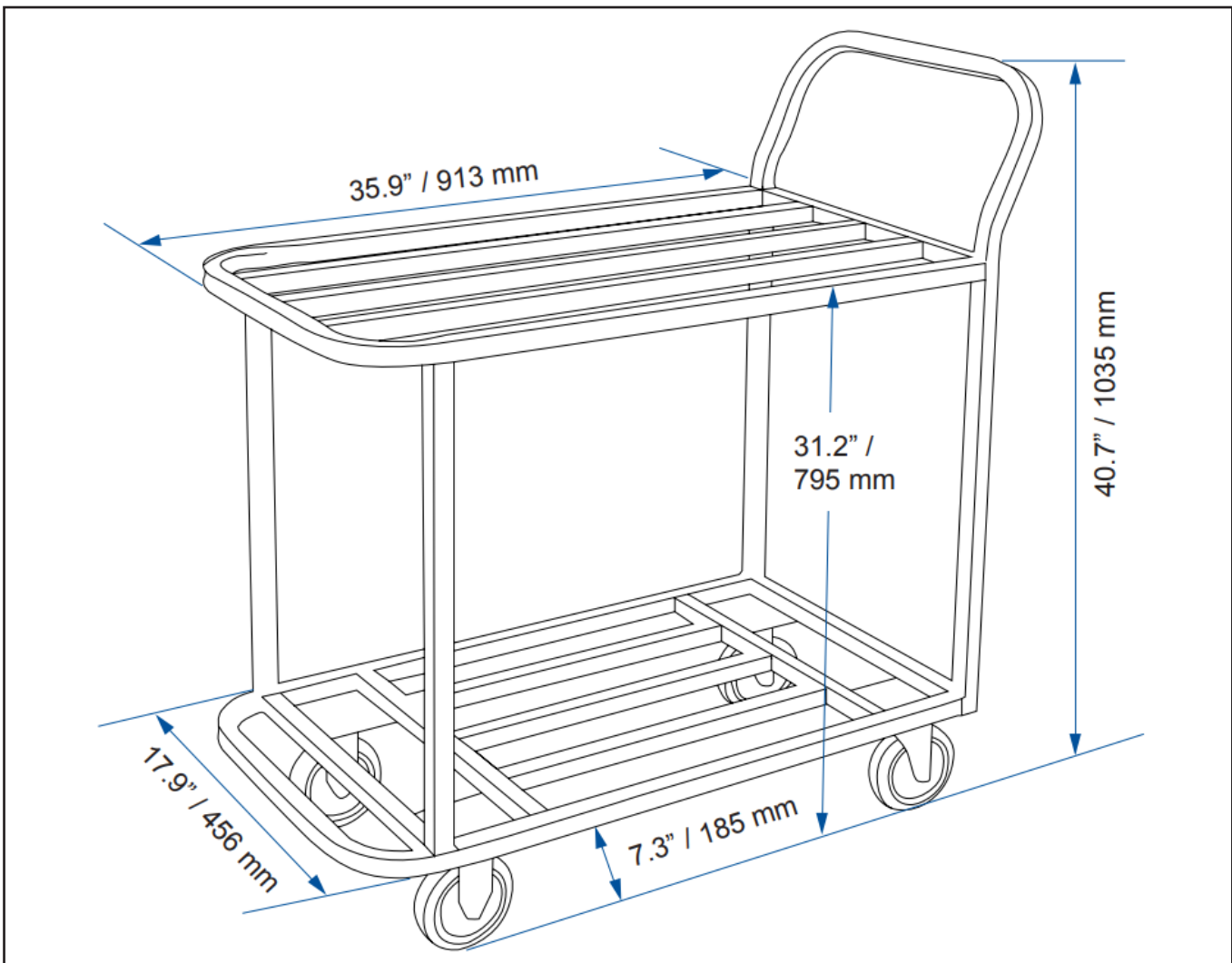


TECHNICAL SPECIFICATION			
Item	31433 (welded)	Item	31277
Capacity	599.75 lbs. (272 kg.)	Capacity	500 lbs. (227 kg.)
Net Dimensions	36" x 18" x 41" (913 x 456 x 1035 mm)	Net Dimensions	36" x 18.25" x 29" (913 x 463.5 x 737 mm)
Gross Dimensions	40" x 19" x 42" (996.95 x 483 x 1048 mm)*	Gross Dimensions	40" x 22" x 8" (1016 x 559 x 204 mm)
Net Weight	43 lbs. (20 kg.)	Net Weight	46 lbs. (21 kg.)
Gross Weight	43 lbs. (20 kg.)	Gross Weight	50 lbs. (23 kg.)

*Item 31433 is delivered fully assembled

TECHNICAL DRAWING (31433)

BMAD System (Low maintenance high performance). Dimensions rounded up to the nearest inch or millimeter. Specifications subject to change without notice.



TECHNICAL DRAWING (31277)

BMAD System (Low maintenance high performance). Dimensions rounded up to the nearest inch or millimeter. Specifications subject to change without notice.

