



Serving the Food Industry Since 1951

## Commercial Microwave with Push Buttons

ITEM:	37962	37963	49398
MODEL:	RE-CN-0011-HC	RE-CN-0015-HC	RE-CN-0016-HC



### Durable, Convenient, and Easy to Clean

Built for efficiency and convenience, this durable commercial microwave handles all of your culinary needs. with a spacious interior and fast heating, these units are great for operating environments from domestic to commercial.

- Easy to clean
- Large volume
- Simple controls
- Fast heating

Telephone: 1-800-465-0234

Fax: (905) 607-0234

Email: [sales@omcan.com](mailto:sales@omcan.com)

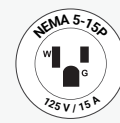
Website: [www.omcan.com](http://www.omcan.com)



Authorized Dealer



Made in China



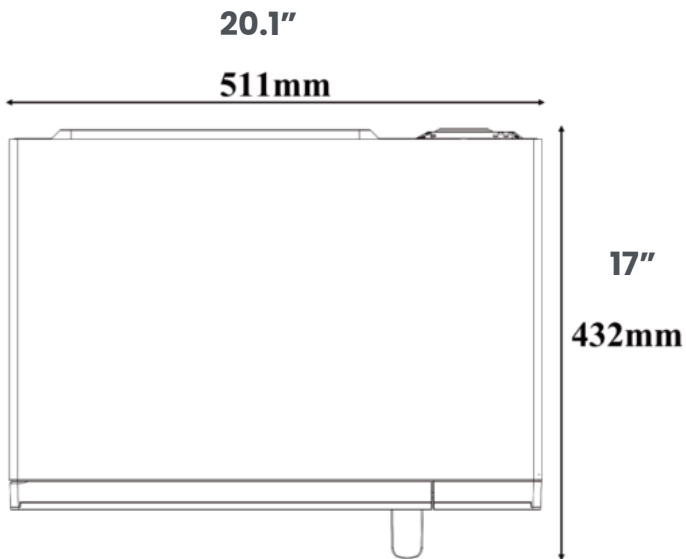
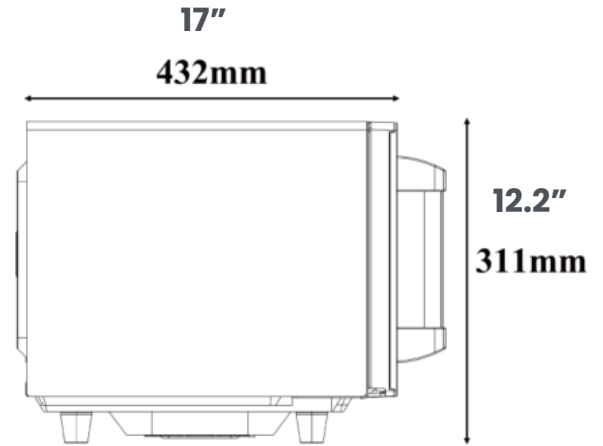
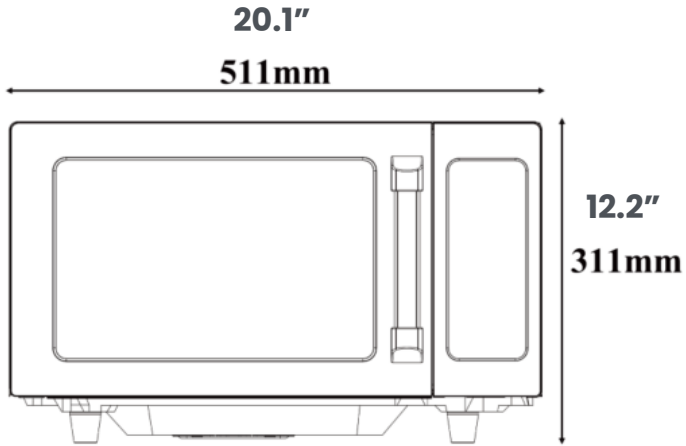


## TECHNICAL SPECIFICATION

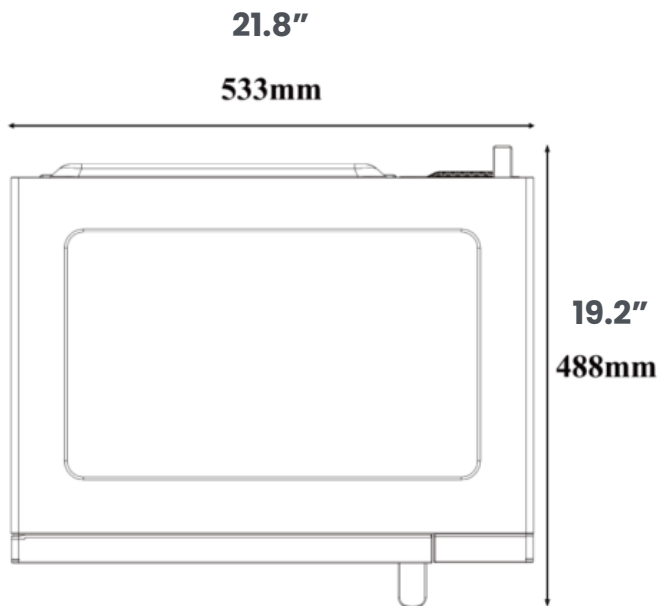
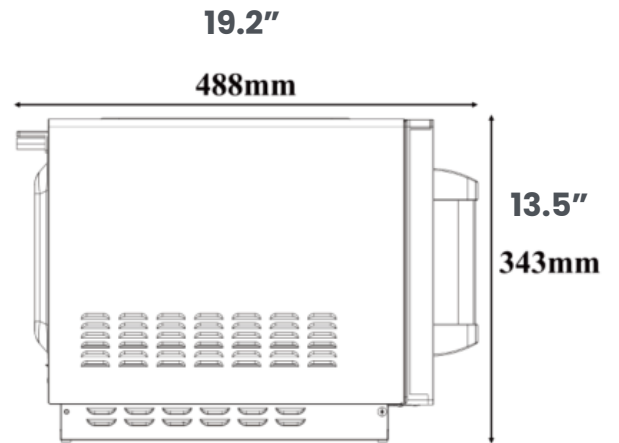
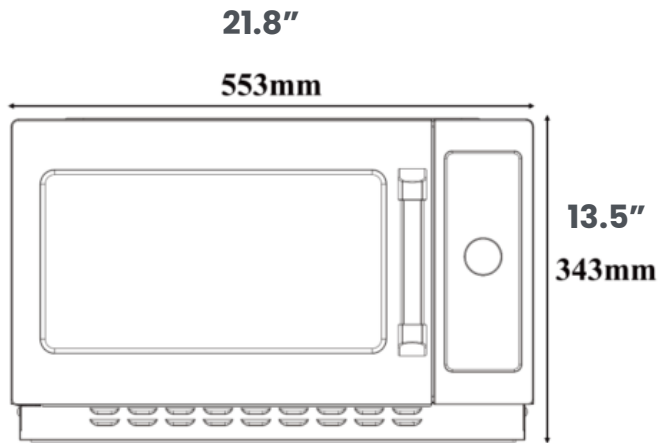
Features	0.9 cu.ft 1550 W	1.2 cu.ft 1550 W	1.2 cu.ft 3200 W
Item	37962	37963	49398
Model	CE-CN-0025MV	CE-CN-0034MV	CE-CN-0034MVHP
Timer	0-60 Minutes	0-60 Minutes	0-60 Minutes
Internal Chamber Size	14" x 13" x 7" (327 x 346 x 200 mm)	14" x 15" x 9" (370 x 385 x 230 mm)	14" x 16" x 9" (360 x 409 x 225 mm)
Capacity	0.9 cu.ft (25 L)	1.2 cu.ft (34 L)	1.2 cu.ft (34 L)
Power	Input: 1550 W Output: 1000 W	Input: 1500 W Output: 1000 W	Input: 3200 W Output: 2100 W
Amperage	Input: 12.5 A Output: 8 A	Input: 12.5 A Output: 8 A	Input: 27 A Output: 17.5 A
Electricals	120 V / 60 Hz / 1 Ph	120 V / 60 Hz / 1 Ph	120 V / 60 Hz / 1 Ph
Net Dimensions (WDH)	20" x 17" x 12" (511 x 432 x 311 mm)	21" x 19" x 13" (553 x 488 x 343 mm)	22" x 20" x 14" (574 x 528 x 367 mm)
Net Weight	32.4 lb (14.7 kg)	39.2 lb (17.8 kg)	71 lb (32.2 kg)

*Dimensions rounded up to the nearest tenth inch or millimeter.  
Specifications subject to change without notice.*

## TECHNICAL DRAWING (37962)



## TECHNICAL DRAWING (37963)



## TECHNICAL DRAWING (49398)

