



SERVING THE FOOD INDUSTRY SINCE 1951

Poly-Top Work Tables Without Backsplash

ITEM:	40411 41274	41276 41278	41280
-------	----------------	----------------	-------



Poly-Top Work Tables with Undershelves.

Made with a stainless steel frame, these poly top tables are perfect for deli shops, sandwich shops, restaurants, and other commercial kitchens. The shelf can be used as a storage for ingredient bins, knives, and other kitchen tools or supplies that is needed while preparing and cooking. Poly cutting boards sold separately.

- Stainless steel construction
- High load bearing capacity
- NSF Certified

Telephone: 1-800-465-0234

Fax: (905) 607-0234

Email: sales@omcan.com

Website: www.omcan.com



Authorized Dealer

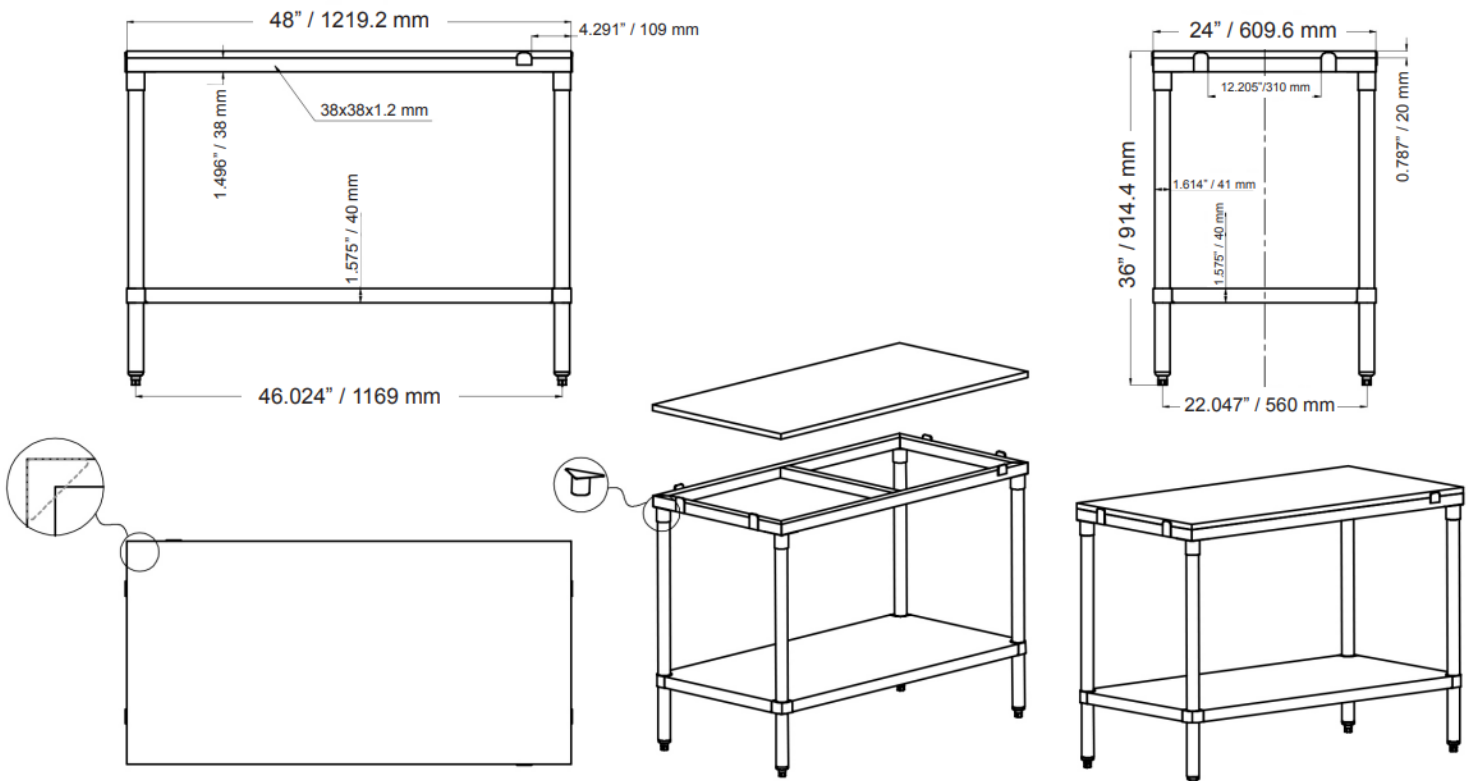




TECHNICAL SPECIFICATION

Item	40411
Undershelf Item #	44279
Description	Stainless Steel Solid Poly Top Frame With Shelf 24" x 48"
Total Load Capacity	600 lbs. (272 kg.)
Undershelf Capacity	440 lbs. (200 kg.)
Central Bar Distance to Edge	23.25"
Bar width	1.5"
Net Dimensions (WDH)	24" x 48" x 36" (609 x 1219 x 914 mm)
Gross Dimensions (WDH)	26" x 50" x 9" (660 x 1270 x 228 mm)
Weight	42 lbs. (19 kg.)
Gross Weight	46.2 lbs. (21 kg.)

TECHNICAL DRAWING



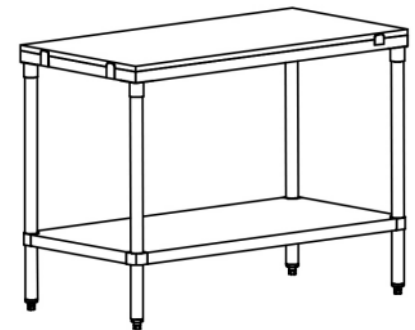
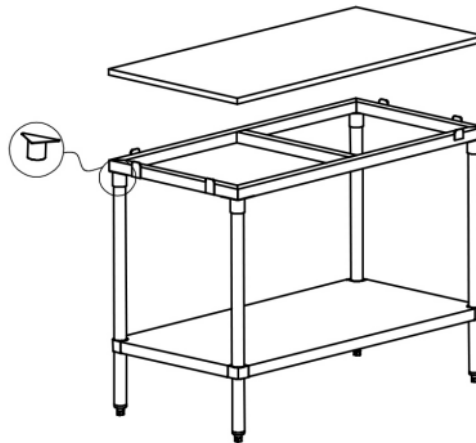
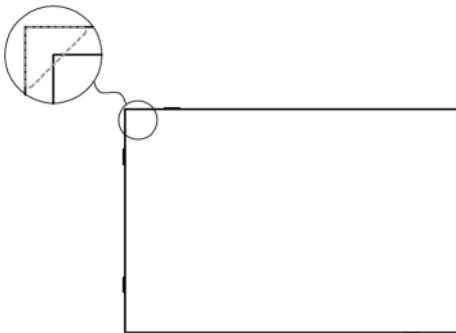
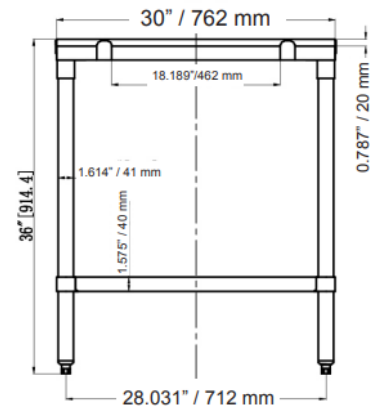
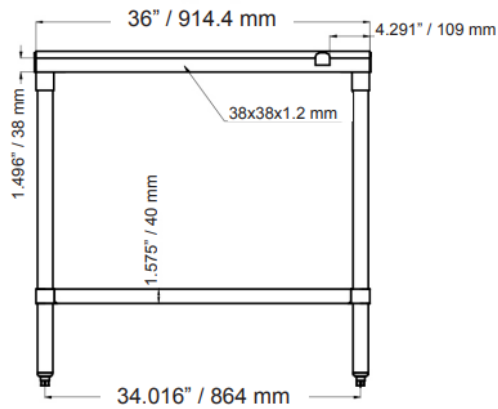
BMAD System (Low maintenance high performance). Dimensions rounded up to the nearest inch or millimeter. Specifications subject to change without notice.



TECHNICAL SPECIFICATION

Item	41274
Undershelf Item #	44280
Description	Stainless Steel Solid Poly Top Frame With Shelf 30" x 36"
Total Load Capacity	600 lbs. (272 kg.)
Undershelf Capacity	440 lbs. (200 kg.)
Central Bar Distance to Edge	17.25"
Bar width	1.5"
Net Dimensions (WDH)	30" x 36" x 36" (762 x 914.4 x 914 mm)
Gross Dimensions (WDH)	32" x 38" x 9" (812.8 x 965.2 x 228 mm)
Weight	40.7 lbs. (18.5 kg.)
Gross Weight	45.1 lbs. (20.5 kg.)

TECHNICAL DRAWING



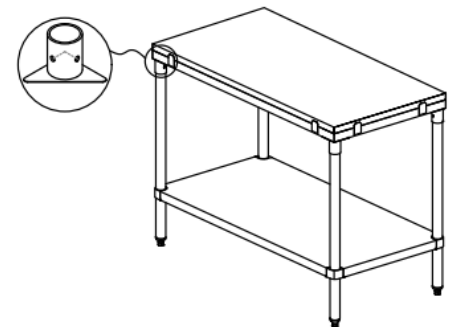
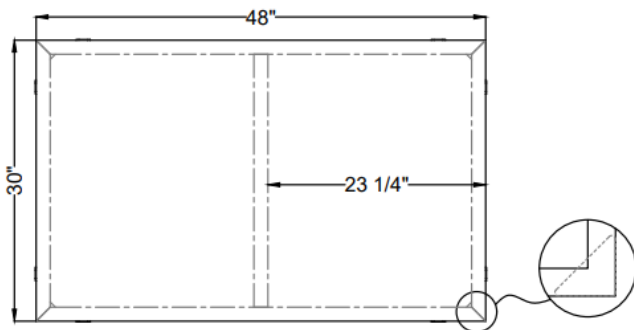
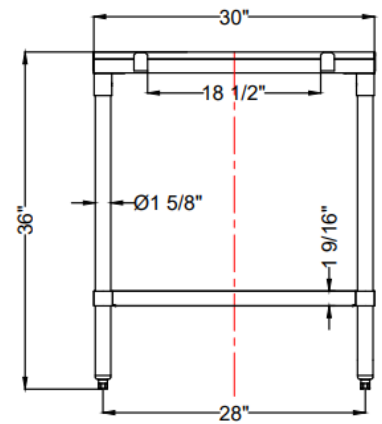
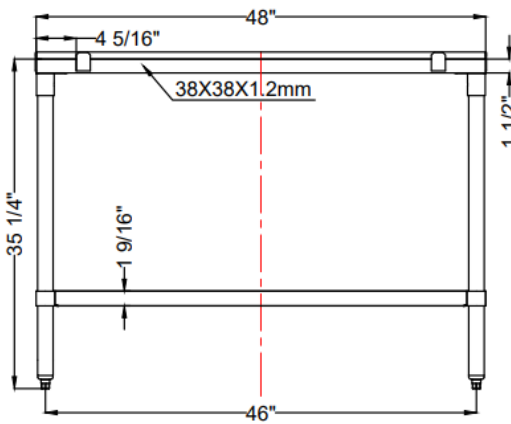
BMAD System (Low maintenance high performance). Dimensions rounded up to the nearest inch or millimeter. Specifications subject to change without notice.



TECHNICAL SPECIFICATION

Item	41276
Undershelf Item #	44281
Description	Stainless Steel Solid Poly Top Frame With Shelf 30" x 48"
Total Load Capacity	700 lbs. (317.5 kg.)
Undershelf Capacity	165 lbs. (210.9 kg.)
Central Bar Distance to Edge	23.25"
Bar width	1.5"
Net Dimensions (WDH)	30" x 48" x 36" (762 x 1219 x 914 mm)
Gross Dimensions (WDH)	32" x 50" x 9" (812.8 x 1270 x 228 mm)
Weight	47.3 lbs. (21.4 kg.)
Gross Weight	51.7 lbs. (23.4 kg.)

TECHNICAL DRAWING



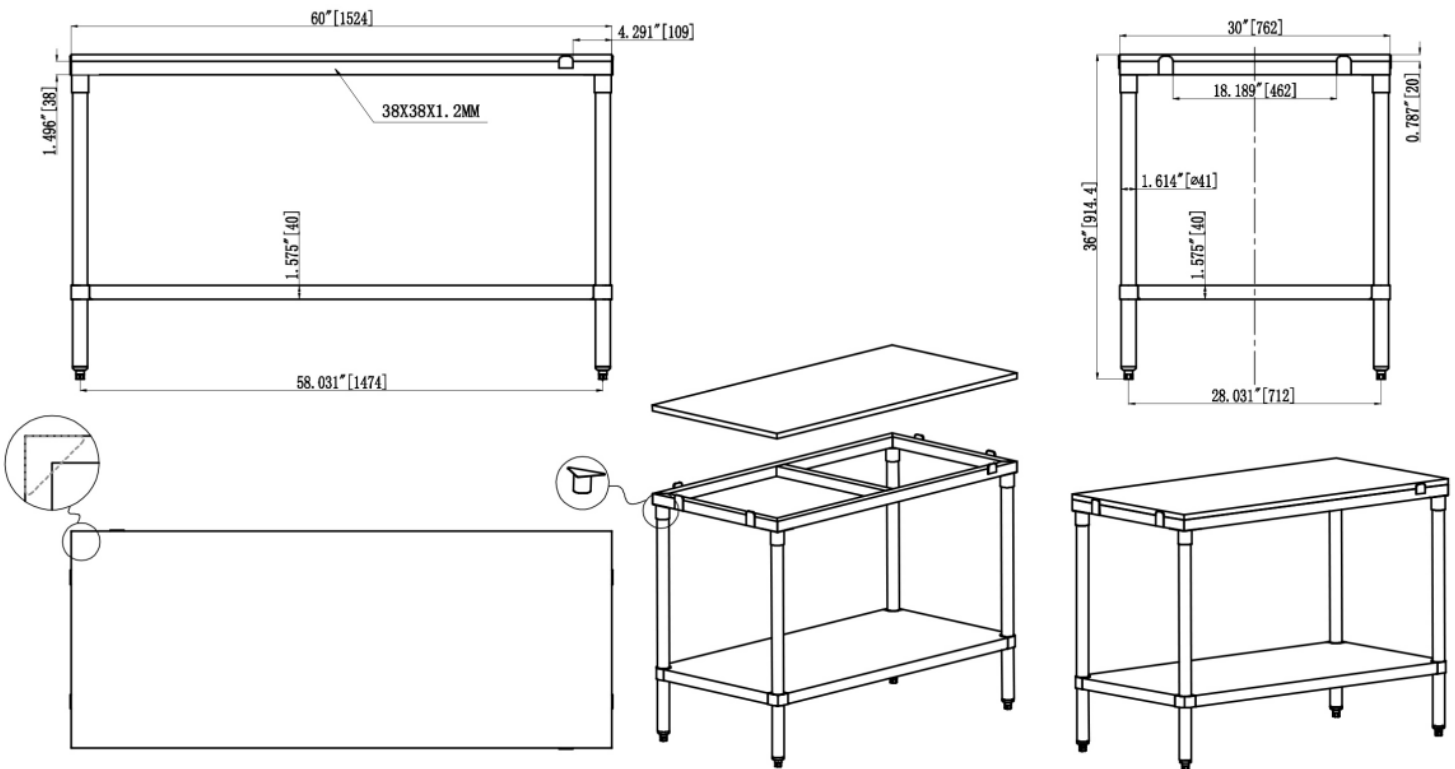
BMAD System (Low maintenance high performance). Dimensions rounded up to the nearest inch or millimeter. Specifications subject to change without notice.



TECHNICAL SPECIFICATION

Item	41278
Undershelf Item #	44282
Description	Stainless Steel Solid Poly Top Frame With Shelf 30" x 60"
Total Load Capacity	800 lbs. (362.8 kg.)
Undershelf Capacity	490 lbs. (222.3 kg.)
Central Bar Distance to Edge	29.25"
Bar width	1.5"
Net Dimensions (WDH)	30" x 60" x 36" (762 x 1524 x 914 mm)
Gross Dimensions (WDH)	32" x 62" x 9" (812.8 x 1574.8 x 228 mm)
Weight	54 lbs. (24.4 kg.)
Gross Weight	58.3 lbs. (26.4 kg.)

TECHNICAL DRAWING



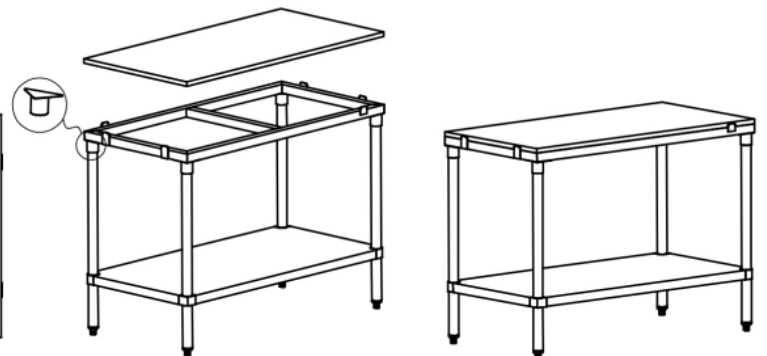
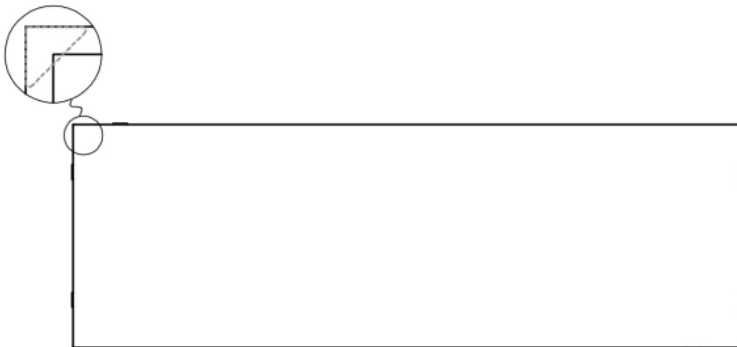
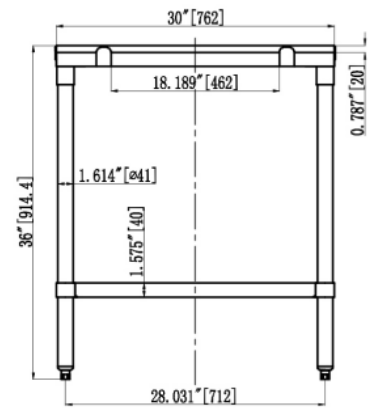
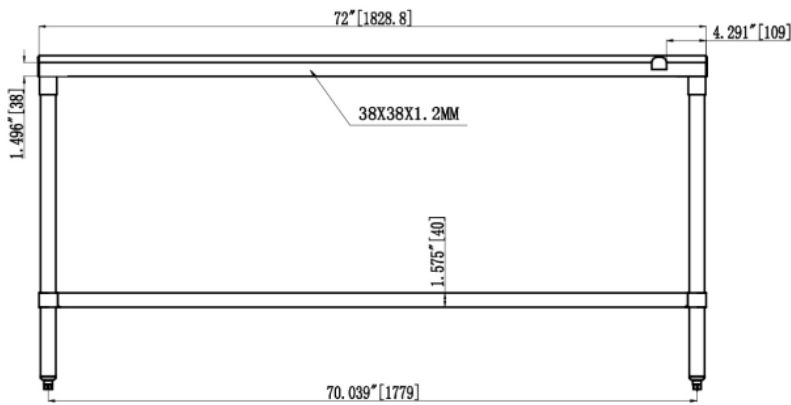
BMAD System (Low maintenance high performance). Dimensions rounded up to the nearest inch or millimeter. Specifications subject to change without notice.



TECHNICAL SPECIFICATION

Item	41280
Undershelf Item #	44245
Description	Stainless Steel Solid Poly Top Frame With Shelf 30" x 72"
Total Load Capacity	900 lbs. (408.2 kg.)
Undershelf Capacity	502 lbs. (227.7 kg.)
Central Bar Distance to Edge	35.25"
Bar width	1.5"
Net Dimensions (WDH)	30" x 72" x 36" (762 x 1828.8 x 914 mm)
Gross Dimensions (WDH)	32" x 72" x 9" (812.8 x 1879.6 x 228 mm)
Weight	60.5 lbs. (27.4 kg.)
Gross Weight	68.2 lbs. (30.9kg.)

TECHNICAL DRAWING



BMAD System (Low maintenance high performance). Dimensions rounded up to the nearest inch or millimeter. Specifications subject to change without notice.

TECHNICAL SPECIFICATION COMPARISON

Item	40411	41274	41276	41278	41280
Undershelf Item #	44279	44280	44281	44282	44245
Description	Stainless Steel Solid Poly Top Frame With Shelf 24" x 48"	Stainless Steel Solid Poly Top Frame With Shelf 30" x 36"	Stainless Steel Solid Poly Top Frame With Shelf 30" x 48"	Stainless Steel Solid Poly Top Frame With Shelf 30" x 60"	Stainless Steel Solid Poly Top Frame With Shelf 30" x 72"
Total Load Capacity	600 lbs. (272 kg.)	600 lbs. (272 kg.)	700 lbs. (317.5 kg.)	800 lbs. (362.8 kg.)	900 lbs. (408.2 kg.)
Undershelf Capacity	440 lbs. (200 kg.)	440 lbs. (200 kg.)	165 lbs. (210.9 kg.)	490 lbs. (222.3 kg.)	502 lbs. (227.7 kg.)
Central Bar Distance to Edge	23.25"	17.25"	23.25"	29.25"	35.25"
Bar width	1.5"	1.5"	1.5"	1.5"	1.5"
Net Dimensions (WDH)	24" x 48" x 36" (609 x 1219 x 914 mm)	30" x 36" x 36" (762 x 914.4 x 914 mm)	30" x 48" x 36" (762 x 1219 x 914 mm)	30" x 60" x 36" (762 x 1524 x 914 mm)	30" x 72" x 36" (762 x 1828.8 x 914 mm)
Gross Dimensions (WDH)	26" x 50" x 9" (660 x 1270 x 228 mm)	32" x 38" x 9" (812.8 x 965.2 x 228 mm)	32" x 50" x 9" (812.8 x 1270 x 228 mm)	32" x 62" x 9" (812.8 x 1574.8 x 228 mm)	32" x 72" x 9" (812.8 x 1879.6 x 228 mm)
Weight	42 lbs. (19 kg.)	40.7 lbs. (18.5 kg.)	47.3 lbs. (21.4 kg.)	54 lbs. (24.4 kg.)	60.5 lbs. (27.4 kg.)
Gross Weight	46.2 lbs. (21 kg.)	45.1 lbs. (20.5 kg.)	51.7 lbs. (23.4 kg.)	58.3 lbs. (26.4 kg.)	68.2 lbs. (30.9kg.)