



SERVING THE FOOD INDUSTRY SINCE 1951

36-Gallon Bin Trash Receptacle – Natural Wood

ITEM:

43840



Omcan's trash receptacle

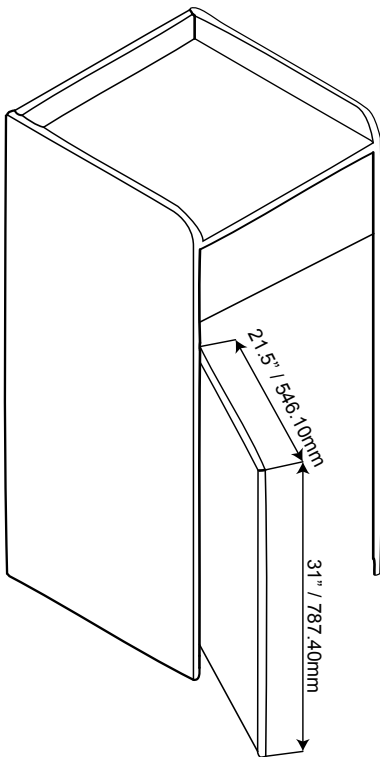
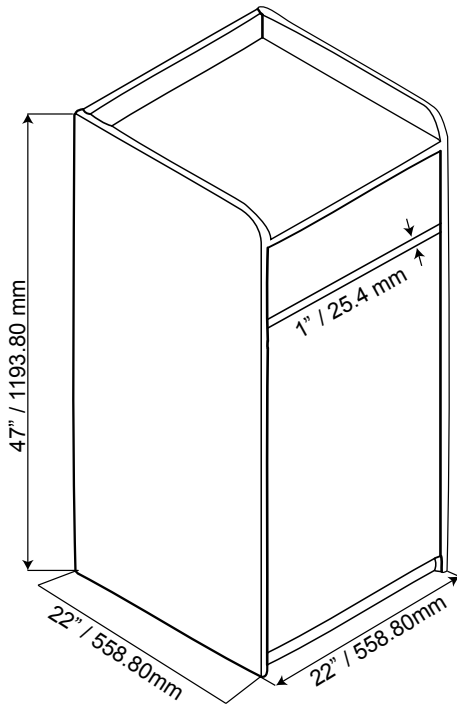
with swing door provides the excellent compact solution for waste management. It is the perfect companion for restaurants, healthcare facilities, schools, offices, and hotels. Features an engraved message to reiterate the gratitude towards your customers as well as a recessed top for discarded food trays.

FEATURES:

- Fits Standard 36 gallon / 3.78 litres bin
- Laminated melamine
- Hinged opening with engraved image
- Food tray holder on top area
- Swing door for ease of cleaning



TECHNICAL DRAWING



TECHNICAL SPECIFICATION

Item	43840
Capacity	36 Gallon
Material	Plywood / Melamine
Color	Natural
Net Weight	43 kgs./ 94.80 lbs.
Net Dimensions (WDH)	22" x 22" x 47" (558.80 x 558.80 x 1193.80 mm)
Gross Weight	45 kgs. / 99.20 lbs.
Gross Dimensions (WDH)	47" x 22" x 4.72" (1200 x 570 x 120 mm)

Dimensions rounded up to the nearest inch or millimeter. Specifications subject to change without notice.