



# REFRIGERATION

SERVING THE FOOD INDUSTRY SINCE 1951

## 51" REFRIGERATED GRAB-AND-GO MERCHANDISER

Item: 44377

Model: RS-CN-0770

This 51" refrigerated open display features internal LED light from the top and stainless steel shelving; watch your products come to life in front of your customers. Its convenient digital controller allows you to access the temperature and lighting with just clicks of a button. Bring this refrigerated floor model to your convenience store, deli or cafe and start showcasing your products the right way to increase impulse sales.



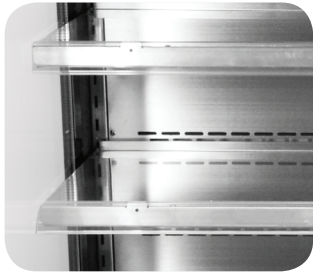
**WARRANTY**  
PARTS AND LABOR



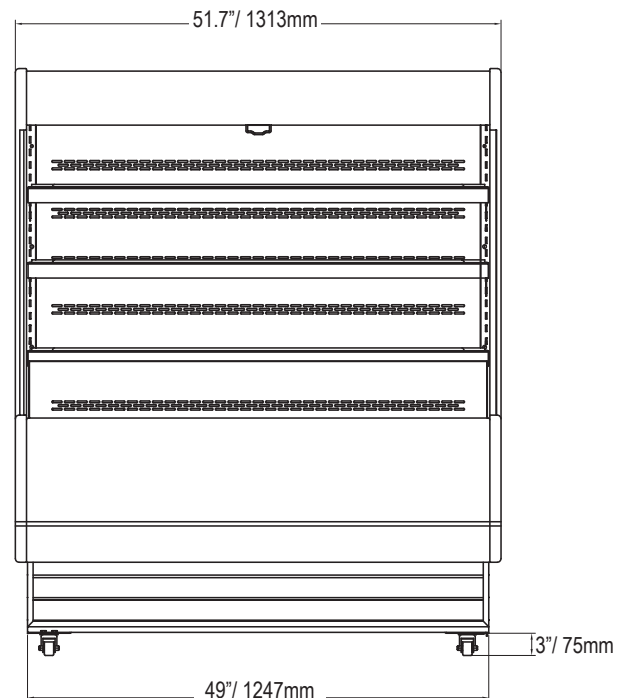
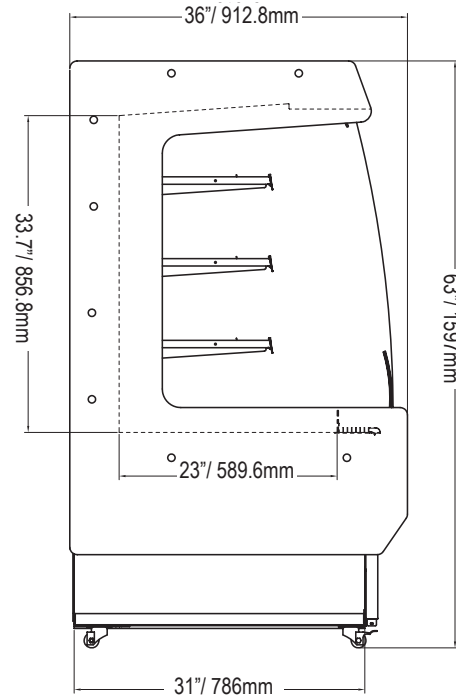
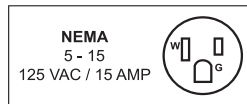
Authorized Dealer

# REFRIGERATION

## 51-INCH REFRIGERATED SHOWCASE



- Brilliant internal LED illumination on top
- Digital temperature controller and display
- Comes with night curtain
- 4 Castors (2 With brakes)
- Ventilated cooling system
- Automatic defrost



### TECHNICAL SPECIFICATION

ITEM NUMBER	44377
MODEL	RS-CN-0770
CAPACITY	770L/ 27.2 cu.ft
COMPRESSOR POWER	1HP
RATED CURRENT	14.5A
REFRIGERANT	R290a
TEMPERATURE RANGE	2-10°C/ 35.6-50°F
ELECTRICAL HEATING ELEMENT	450W
LAMP POWER(W)	8.4W
NO.OF SHELVES	4
ELECTRICAL	110V/60Hz/1Ph
NET DIMENSIONS	51.7" x 36" x 63" 1313 x 912.8 x 1597mm
NET WEIGHT	210 kg/ 463 lbs
GROSS WEIGHT	245 kg/ 540 lbs

## OMCAN INC.

Telephone: 1-800-465-0234  
 Fax: (905) 607-0234  
 Email: sales@omcan.com  
 Website: www.omcan.com



Follow us to keep up to date with the latest news and offers

