



REFRIGERATION

SERVING THE FOOD INDUSTRY SINCE 1951

26-INCH REFRIGERATED DISPLAY CASE

Item: 44379 Model: RS-CN-0186

Keep your products cool and fresh all day long!

Illuminate your products with this open refrigerated floor display case. Watch your products come to life in front of your customers with brilliant LED lighting and convenient pull-down curtain to ensure product freshness. This unit includes a digital temperature controller to customize all your settings! Bring this refrigerated floor display case to your convenience store, deli, bakery, restaurant, and start showcasing your products the right way to increase impulse sales!



WARRANTY
PARTS AND LABOR



Authorized Dealer

REFRIGERATION

26-INCH REFRIGERATED DISPLAY CASE



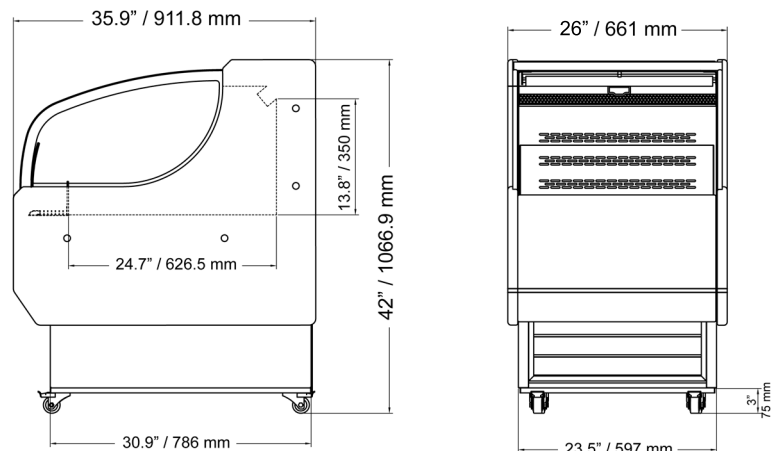
Item 44379 - Refrigerated Showcase with pull-down curtain



Features:

- Brilliant Internal LED illumination on sides
- Digital temperature controller and display
- Includes a durable night curtain
- Water tray can be connected with drain pipe
- 4 Casters with 2 breaks
- Stainless steel louver
- Ventilated cooling system
- Automatic defrost
- Condensation water evaporated automatically

TECHNICAL DRAWINGS WITH DETAILED DIMENSIONS



TECHNICAL SPECIFICATIONS

ITEM NUMBER	44379	LAMP POWER (W)	2.6W
MODEL	RS-CN-0186	NO. OF SHELVES	1
CAPACITY	186L / 6.6 cu.ft	ELECTRICAL	110V / 60Hz / 1Ph
COMPRESSOR POWER	3/4HP	NET DIMENSIONS (WDH)	26" x 35.9" x 42" 661 x 911.8 x 1066.9 mm
RATED CURRENT (AMPS)	11.6A	GROSS DIMENSIONS	29.5" x 39" x 47.6" 750 x 995 x 1210 mm
REFRIGERANT	R290	NEW WEIGHT	198.4 LBS. / 90 KG.
TEMPERATURE RANGE	2 - 10°C / 35 - 50°F	GROSS WEIGHT	253.5 LBS. / 115 KG.
ELECTRICAL HEATING ELEMENT	450W		

OMCAN INC.

Telephone: 1-800-465-0234
 Fax: (905) 607-0234
 Email: sales@omcan.com
 Website: www.omcan.com



Follow us to keep up to date with the latest news and offers

