



# DISHWASHER

CENTER OF ALL YOUR FOOD SERVICE NEEDS

## UNDER COUNTER HIGH TEMPERATURE DISHWASHER

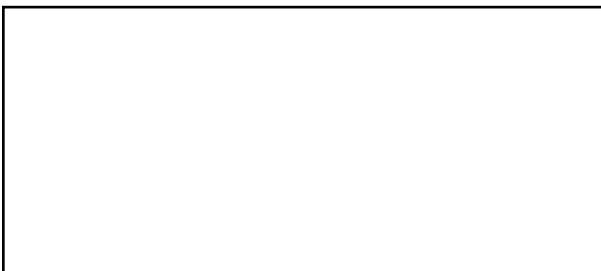
Item: 46320

Model: CD-GR-0500

*High Performance  
and Quality  
Under counter Dishwasher*



Product might not be exactly as shown



Authorized Dealer



**WARRANTY**  
PARTS AND LABOR



# DISHWASHER

## UNDER COUNTER DISHWASHER



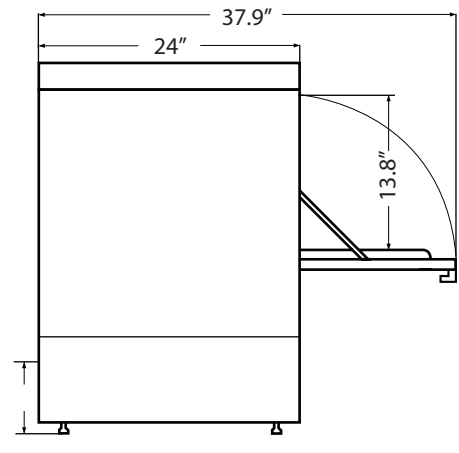
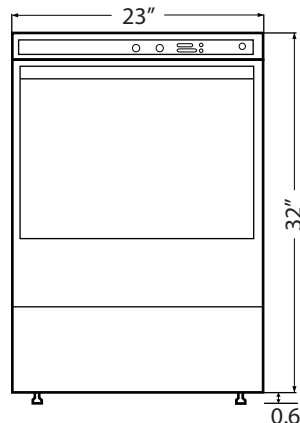
### Parts:

1. NSF certified indicators for wash temperature, rinse temperature and rinse pressure
2. 304 stainless steel body and handle, heavy duty & corrosion resistant
3. Upper and lower wash/rinse arms with high temperature cycles (minimum temp. 165°F/ 74°C)
4. 1 peg rack, 1 flat rack & 1 cutlery tray included. Dishes per hour: 1080



### Features:

- New and improved door mechanism
- Door Clearance: 14" / 360mm
- Double skin door
- Washing pump: IP44
- Standard tank and boiler thermometer
- Standard draining pump
- Standard detergent pump
- Standard rinsing thermo detector
- Proof rinse feature ensures proper sanitized rinse cycle temperature
- 3 washing cycles (2, 3 & 4 minutes)
- Thermal protection for wash and tank booster



### PRODUCT SPECIFICATIONS

ITEM	46320	HOT WATER REQUIREMENTS	50°C/ 120°F
MODEL	CD-GR-0500	WATER LINE REQUIREMENTS	.75" Hose supplied
BASKET SIZE	20" x 20" / 500 x 500 mm	WATER PRESSURE REQUIREMENTS	30-72 PSI
WASH PUMP	0.75 HP	DRAIN LINE	1.1" /28 mm Hose supplied
CAPACITY	Booster tank: 6L/1.5G Wash tank: 35L/ 9G	DOOR CLEARANCE	14" / 360 mm
HEATING ELEMENT	Booster tank: 3 kW Wash tank: 2.8 kW	NET DIMENSIONS (WDH)	23" x 24" x 32" / 570 x 600 x 830 mm
POWER	3.6 kW	GROSS DIMENSIONS	24" x 27" x 39" / 580 x 680 x 1000 mm
ELECTRICAL	208-240V/ 60hz/ 1ph	NET WEIGHT	121 lbs/ 55 kg
AMP	16A	GROSS WEIGHT	132 lbs/ 60 kg

## OMCAN INC.

Telephone: 1-800-465-0234  
 Fax: (905) 607-0234  
 E-mail: sales@omcan.com  
 Website: www.omcan.com



Follow us to keep up to date with the latest news and offers

