



DISHWASHER

CENTER OF ALL YOUR FOOD SERVICE NEEDS

UPRIGHT HIGH TEMPERATURE DISHWASHER

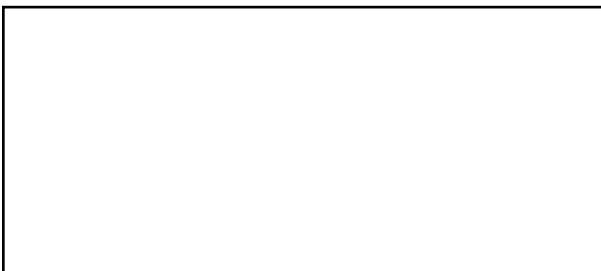
Item: 46321

Model: CD-GR-1500



*High Performance
and Quality
Upright Dishwasher*

Product might not be exactly as shown



Authorized Dealer



WARRANTY
PARTS AND LABOR



DISHWASHER

UPRIGHT DISHWASHER



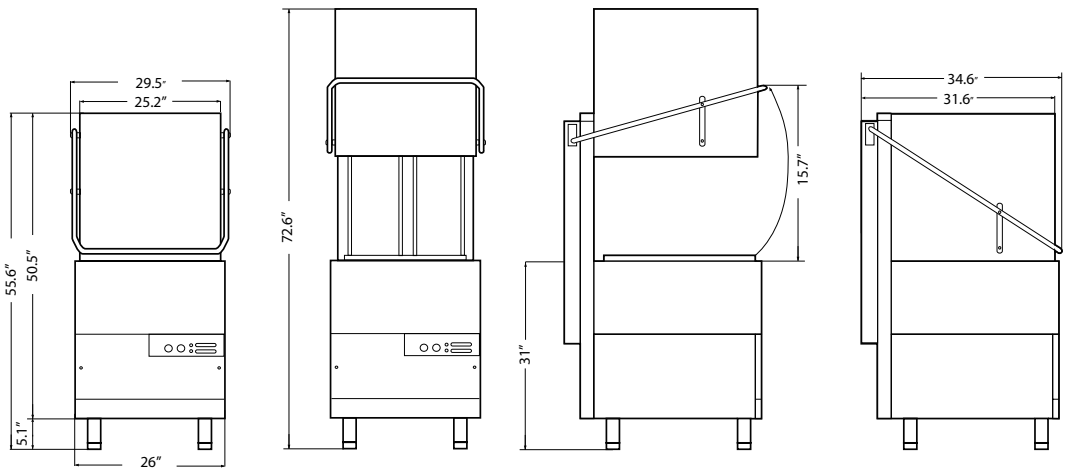
Parts:

1. NSF certified indicators for wash temperature, rinse temperature and rinse pressure
2. 304 stainless steel body and handle, heavy duty & corrosion resistant
3. Upper and lower wash/rinse arms with high temperature cycles (minimum temp. 165°F/ 74°C)
4. 1 peg rack, 1 flat rack & 1 cutlery tray included. Dishes per hour: 1080



Features:

- New and improved door mechanism
- Door opening: 16" / 400mm
- Washing pump: IP44
- Standard tank and boiler thermometer
- Thermal protection for wash and tank booster
- Standard rinse temperature thermo detector 3 washing cycle
- Straight or corner convertibility
- Proof rinse feature ensures proper sanitized rinse cycle temperature
- Low maintenance



PRODUCT SPECIFICATIONS

ITEM	46321	HOT WATER REQUIREMENTS	.5" GPC (2LPC) 50°C/ 120°F
MODEL	CD-GR-1500	WATER LINE REQUIREMENTS	.75" Hose supplied
BASKET SIZE	20" x 20" / 500 x 500 mm	WATER PRESSURE REQUIREMENTS	30-72 PSI
WASH PUMP	1.5 HP	DRAIN LINE	1.38" / 35 mm Hose supplied
CAPACITY	Booster tank: 7.4/ 1.95G Wash tank: 68L/18G	DOOR CLEARANCE	16" / 400 mm
HEATING ELEMENT	Booster tank: 7.5 kW Wash tank: 6 kW	NET DIMENSIONS (WDH)	(Close position) 29.5" x 34.6" x 55.6" / 750 x 880 x 1412 mm
POWER	8.2 kW	GROSS DIMENSIONS	30" x 35" x 57" / 762 x 889 x 1447.8 mm
ELECTRICAL	208-240V/ 60hz/ 1ph	NET WEIGHT	245 lbs/ 111 kg
AMP	46A	GROSS WEIGHT	266 lbs/ 120.7 kg

OMCAN INC.

Telephone: 1-800-465-0234
 Fax: (905) 607-0234
 E-mail: sales@omcan.com
 Website: www.omcan.com



Follow us to keep up to date with the latest news and offers

