



SERVING THE FOOD INDUSTRY SINCE 1951

Square Glass Countertop Display Warmers

ITEM:	47425	47426	47427	47428
MODEL:	DW-CN-0120-5	DW-CN-0160-5	DW-CN-0202-5	DW-CN-0252-5



Excellent Display Case for Warm Food Products.

Multi-level shelves with a large capacity and crystal clear display gives unparalleled functionality, while modern design and quality materials add a premium feel to your items. This display case is sure to attract customer attention while ensuring the content remains high quality due to moisture keeping qualities of the built in water tray, and constant temperature monitoring.

- Brilliant Internal LED Illumination on Top
- Adjustable Temperature Controller
- Temperature Display
- Adjustable Chrome Plated Shelves
- Flat Front Glass
- Sliding Doors
- Includes Water Tray to Prevent Food Drying

Telephone: 1-800-465-0234

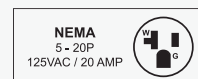
Fax: (905) 607-0234

Email: sales@omcan.com

Website: www.omcan.com



Authorized Dealer

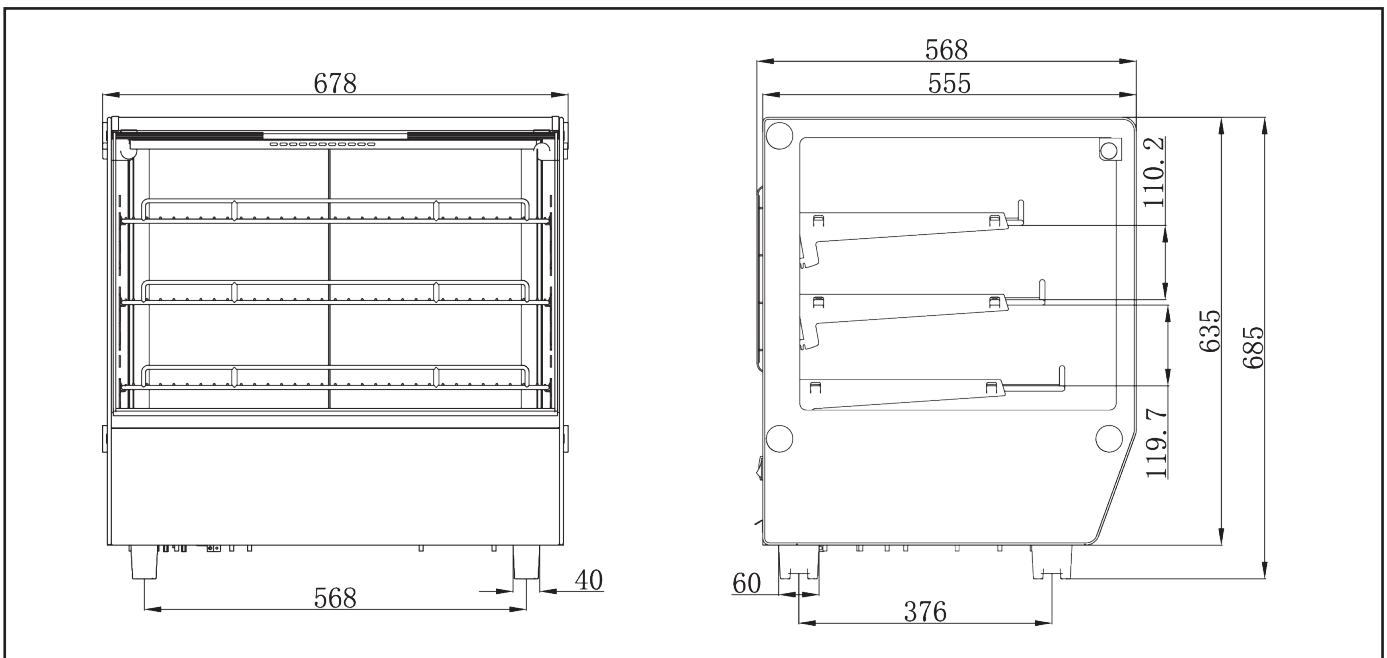


TECHNICAL SPECIFICATION

Item	47425
Model	DW-CN-0120-5
Capacity	4.2 cu.ft (120 L)
Shelf Capacity	33.1 lbs. (15 kg.)
Shelf Size	15.7" x 25" (398 x 636 mm) 14.4" x 25" (367 x 636 mm) 13.2" x 25" (335 x 636 mm)
Number of Shelves	3
Temperature Range	86 - 194°F (30 - 90°C)
Power	1650 W
Electricals	120 V / 60 Hz / 1 Ph
Current	15 A
Net Dimensions (WDH)	26.7" x 22.4" x 27" (678 x 568 x 686 mm)
Gross Dimensions (WDH)	29.5" x 24.7" x 28.8" (749 x 627 x 731 mm)
Net Weight	84.9 lbs. (38.5 kg.)
Gross Weight	91.5 lbs. (41.5 kg.)



TECHNICAL DRAWING



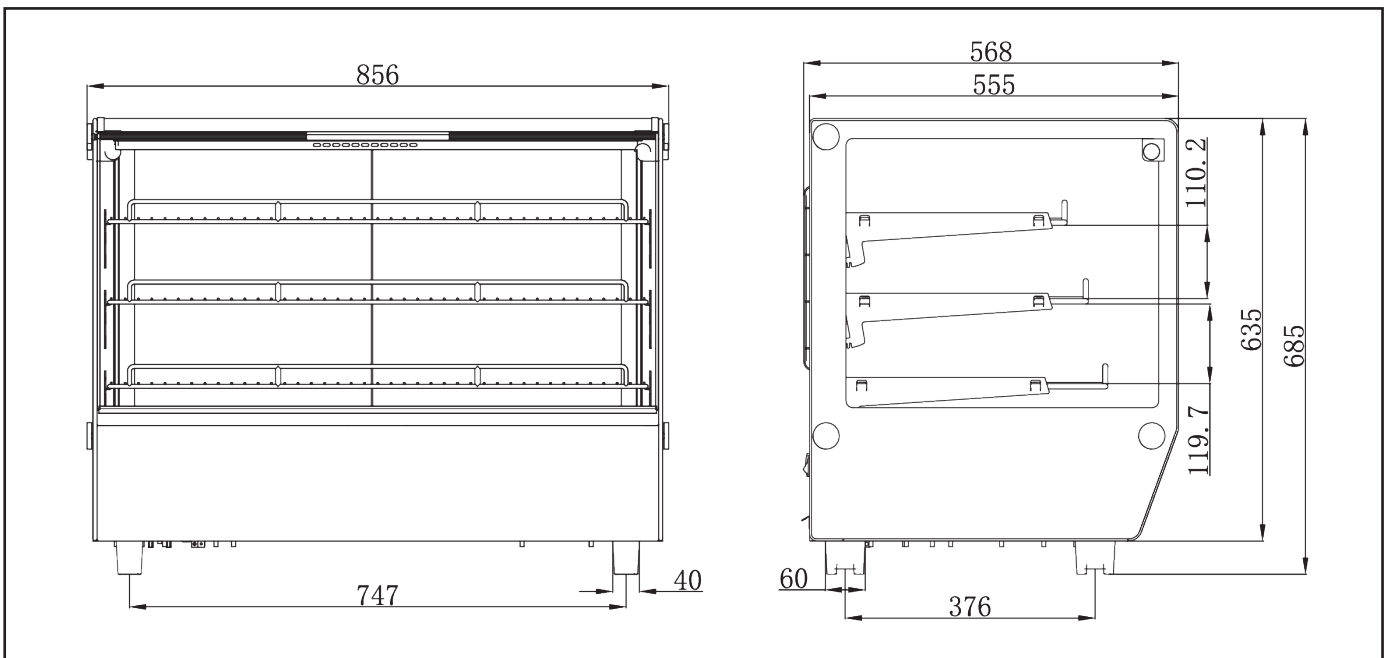
BMAD System (Low maintenance high performance). Dimensions rounded up to the nearest inch or millimeter. Specifications subject to change without notice.

TECHNICAL SPECIFICATION

Item	47426
Model	DW-CN-0160-5
Capacity	5.7 cu.ft (160 L)
Shelf Capacity	33.1 lbs. (15 kg.)
Shelf Size	15.7" x 32" (398 x 813 mm) 14.4" x 32" (367 x 813 mm) 13.2" x 32" (335 x 813 mm)
Number of Shelves	3
Temperature Range	86 - 194°F (30 - 90°C)
Power	1650 W
Electricals	120 V / 60 Hz / 1 Ph
Current	15 A
Net Dimensions (WDH)	33.7" x 22.4" x 27" (856 x 568 x 686 mm)
Gross Dimensions (WDH)	36.5" x 24.7" x 28.8" (928 x 627 x 731 mm)
Net Weight	103.6 lbs. (47 kg.)
Gross Weight	110.2 lbs. (50 kg.)



TECHNICAL DRAWING



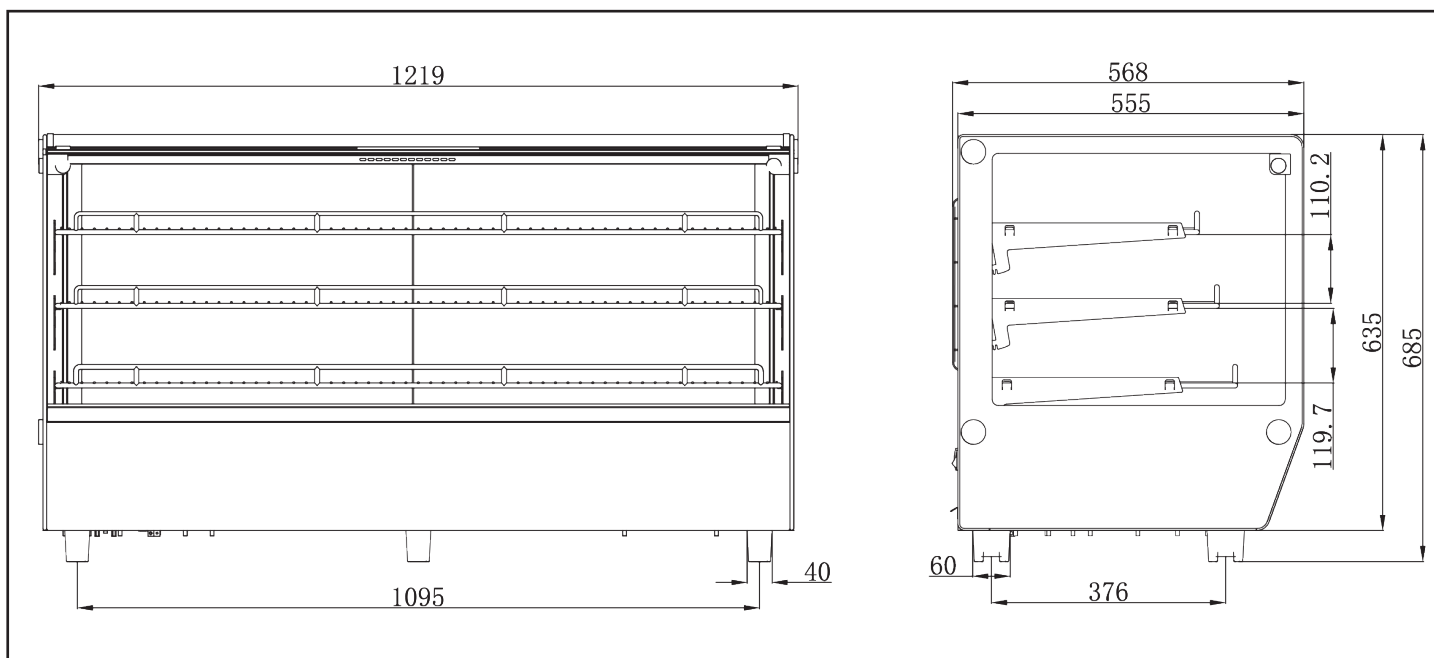
BMAD System (Low maintenance high performance). Dimensions rounded up to the nearest inch or millimeter. Specifications subject to change without notice.

TECHNICAL SPECIFICATION

Item	47427
Model	DW-CN-0202-5
Capacity	7.1 cu.ft (202 L)
Shelf Capacity	40.1 lbs. (20 kg.)
Shelf Size	15.7" x 46" (398 x 1167 mm) 14.4" x 46" (367 x 1167 mm) 13.2" x 46" (335 x 1167 mm)
Number of Shelves	3
Temperature Range	86 - 194°F (30 - 90°C)
Power	1650 W
Electricals	120 V / 60 Hz / 1 Ph
Current	15 A
Net Dimensions (WDH)	48" x 23" x 27" (1219 x 588 x 686 mm)
Gross Dimensions (WDH)	51" x 25" x 29" (1290 x 627 x 735 mm)
Net Weight	132.3 lbs. (60 kg.)
Gross Weight	139 lbs. (63 kg.)



TECHNICAL DRAWING



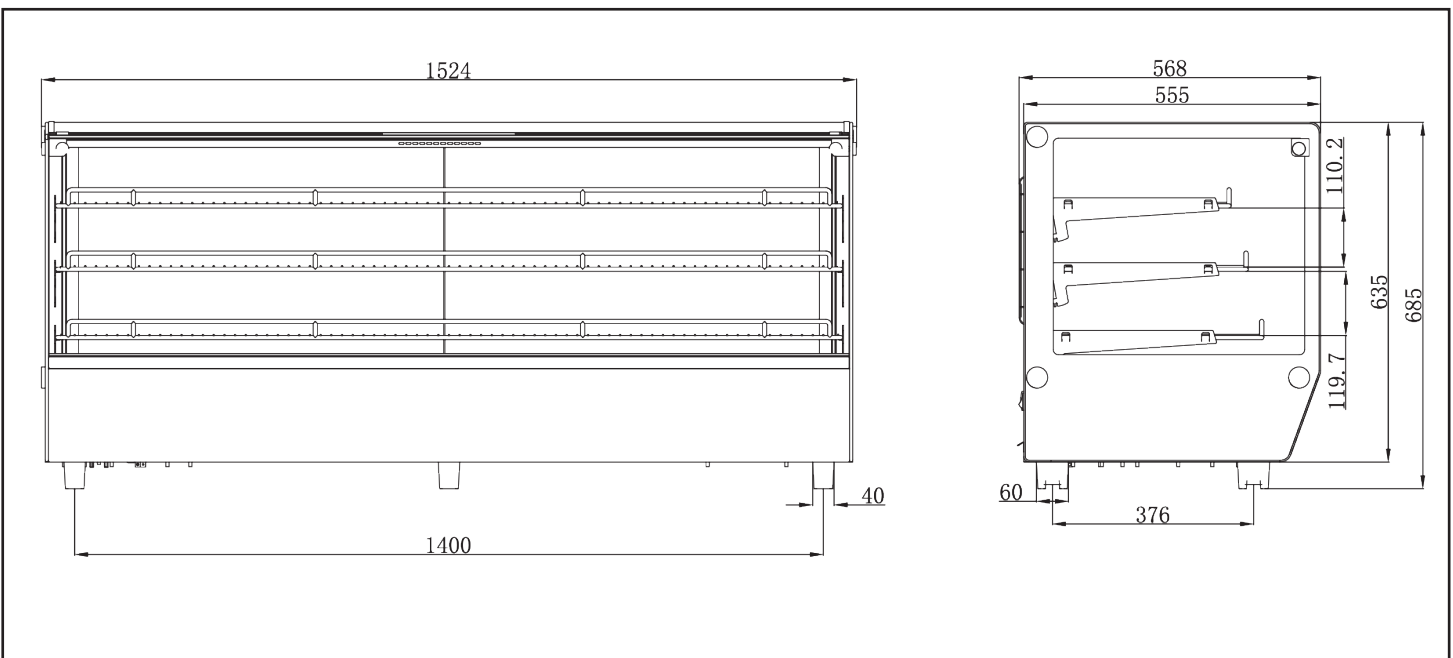
BMAD System (Low maintenance high performance). Dimensions rounded up to the nearest inch or millimeter. Specifications subject to change without notice.

TECHNICAL SPECIFICATION

Item	47428
Model	DW-CN-0252-5
Capacity	8.9 cu.ft (252 L)
Shelf Capacity	55.1 lbs. (25 kg.)
Shelf Size	15.7" x 58" (398 x 1470 mm) 14.4" x 58" (367 x 1470 mm) 13.2" x 58" (335 x 1470 mm)
Number of Shelves	3
Temperature Range	86 - 194°F (30 - 90°C)
Power	1650 W
Electricals	120 V / 60 Hz / 1 Ph
Current	15 A
Net Dimensions (WDH)	60" x 22.4" x 27" (1524 x 568 x 686 mm)
Gross Dimensions (WDH)	62.8" x 24.7" x 28.8" (1595 x 627 x 731 mm)
Net Weight	163 lbs. (74 kg.)
Gross Weight	172 lbs. (78 kg.)



TECHNICAL DRAWING



BMAD System (Low maintenance high performance). Dimensions rounded up to the nearest inch or millimeter. Specifications subject to change without notice.

TECHNICAL SPECIFICATION COMPARISON

Item	47425	47426	47427	47428
Model	DW-CN-0120-5	DW-CN-0160-5	DW-CN-0202-5	DW-CN-0252-5
Capacity	4.2 cu.ft (120 L)	5.7 cu.ft (160 L)	7.1 cu.ft (202 L)	8.9 cu.ft (252 L)
Shelf Capacity	33.1 lbs. (15 kg.)	33.1 lbs. (15 kg.)	40.1 lbs. (20 kg.)	55.1 lbs. (25 kg.)
Shelf Size	15.7" x 25" (398 x 636 mm) 14.4" x 25" (367 x 636 mm) 13.2" x 25" (335 x 636 mm)	15.7" x 32" (398 x 813 mm) 14.4" x 32" (367 x 813 mm) 13.2" x 32" (335 x 813 mm)	15.7" x 46" (398 x 1167 mm) 14.4" x 46" (367 x 1167 mm) 13.2" x 46" (335 x 1167 mm)	15.7" x 46" (398 x 1167 mm) 14.4" x 46" (367 x 1167 mm) 13.2" x 46" (335 x 1167 mm)
Number of Shelves	3			
Temperature Range	86 - 194°F (30 - 90°C)			
Power	1650 W			
Electricals	120 V / 60 Hz / 1 Ph			
Current	15 A			
Net Dimensions (WDH)	26.7" x 22.4" x 27" (678 x 568 x 686 mm)	33.7" x 22.4" x 27" (856 x 568 x 686 mm)	48" x 23" x 27" (1219 x 588 x 686 mm)	60" x 22.4" x 27" (1524 x 568 x 686 mm)
Gross Dimensions (WDH)	29.5" x 24.7" x 28.8" (749 x 627 x 731 mm)	36.5" x 24.7" x 28.8" (928 x 627 x 731 mm)	51" x 25" x 29" (1290 x 627 x 735 mm)	62.8" x 24.7" x 28.8" (1595 x 627 x 731 mm)
Net Weight	84.9 lbs. (38.5 kg.)	103.6 lbs. (47 kg.)	132.3 lbs. (60 kg.)	163 lbs. (74 kg.)
Gross Weight	91.5 lbs. (41.5 kg.)	110.2 lbs. (50 kg.)	139 lbs. (63 kg.)	172 lbs. (78 kg.)



47425

47426

47427

47428