

9L / 2.4 Gal Electric Single Tank Pasta Cooker

ITEM: 47503

MODEL: CE-CN-0004-N



KEY FEATURES

- Stainless-steel construction is corrosion resistant providing durability and appliance longevity.
- Powerful tubular heating elements can quickly heat up the water to 110°C/ 230°F under 20 minutes.
- Built-in front door easily accesses the drain and refill valves for a convenient cleaning and maintenance process.
- 9-liter (2.4 gal) water tank allows bulk preparation of food during peak serving periods.
- Includes 4 round and 2 rectangular baskets that allow portioning cooking of several types of food like pasta, noodles or vegetables at once.
- Simple design with a thermostatic control and an indicator light makes it easy to operate and ensures precise, consistent cooking temperature.
- Non-slip feet prevent sliding and provide high stability to avoid unwanted hazardous situations in busy kitchen.

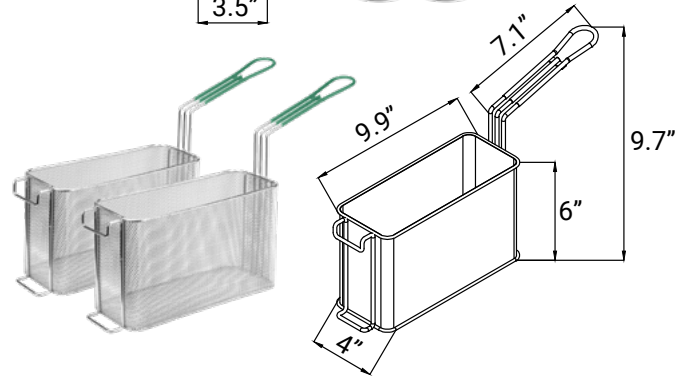
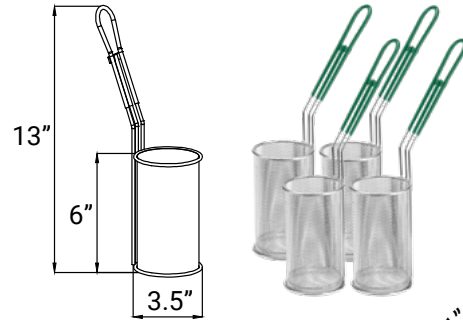
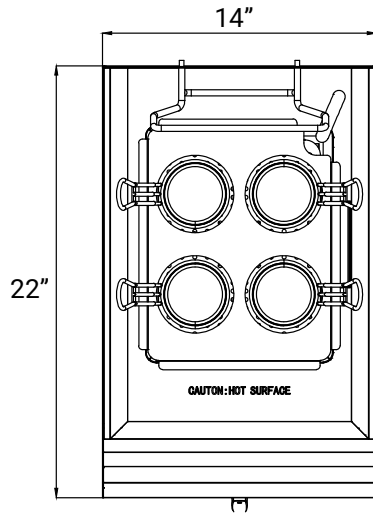
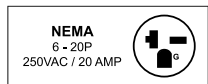
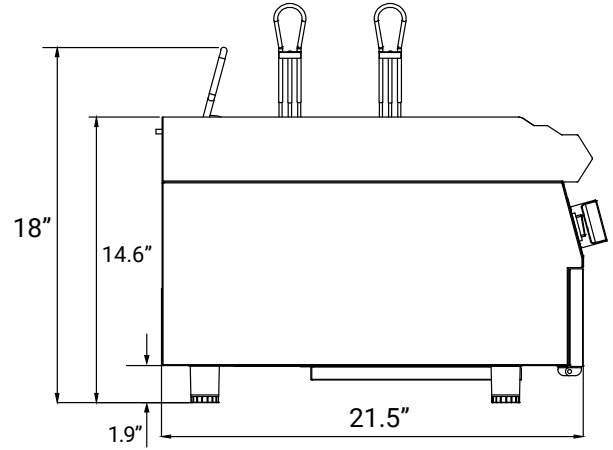
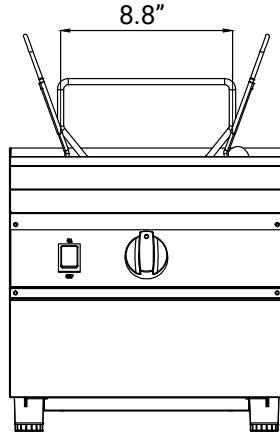


9L / 2.4 Gal Electric Single Tank Pasta Cooker



TECHNICAL DRAWING

(Measurements in diagrams are in inches)



SPECIFICATION

Item	47503		
Model	CE-CN-0004-N	Net Weight	37 lbs/ 16.8 kgs
Power	3600 W	Gross Weight	41.4 lbs / 18.8 kgs
Electrical	240V / 60Hz / 1Ph	Net Dimensions (WDH)	14" x 22" x 18" 355 x 560 x 460 mm
Material	Stainless Steel 304	Gros Dimensions (WDH)	17.7" x 25.6" x 18.7" 450 x 650 x 475 mm
Net Volume	9L / 2.4 gal	Plug Type	NEMA 6-20P Plug
Max Temperature	110°C / 230°F		