



SERVING THE FOOD INDUSTRY SINCE 1951

Freestanding Narrow Warming Drawer

Item: 47546
Model: FW-CN-0001

48884
FW-CN-0002

47547
FW-CN-0002



#47546

#48884

#47547

Keep your ingredients and hot recipes fresh and flavorful at proper temperatures for the peak serving time

An ideal hot holding solution for restaurants, catering, cafeterias, clubs & bars, concessions and convenience stores

Telephone: 1-800-465-0234

Fax: (905) 607-0234

Email: sales@omcan.com

Website: www.omcan.com



Authorized Dealer



KEY FEATURES

- Unique slim design allows you to free-up usable counter space
- Full stainless-steel construction provides durability for tough kitchen use
- Includes 12" x 20" x 6" food pans
- Fiberglass insulation and built-in drawer gasket retain the heat inside ensuring energy efficiency



Thermostatic Control with a wide temperature range from 80 to 220°F (27 - 104.4°C) suitable for different type of foods.



Each drawer has Humidity Control Vent Slide that allows adjusting the airflow to prevent food from drying out or becoming too soggy.



Durable legs ensure stability in different establishments and easy cleaning the surroundings.

SPECIFICATION

Item	47546	48884	47547
Model	FW-CN-0001	FW-CN-0002	FW-CN-0003
Number of Drawers	1	2	3
Power	450 W	900 W	1350 W
Current	3.75 A	7.5 A	11.25 A
Electrical	110-120V / 60Hz / 1Ph		
Temperature Range	26.7 - 104.4°C / 80 - 220°F		
Pan Size	Full Size Pan (12" x 20" x 6" / 305 x 508 x 152 mm)		
Pre-heat Time	30 minutes		
Net Weight	91 lbs. / 41.3 kgs.	120 lbs. / 54.4 kgs.	195 lbs. / 88.5 kgs.
Gross Weight	t 125 lbs. / 56.7 kgs.	171 lbs. / 77.6 kgs.	224 lbs. / 101.6 kgs.
Drawer Dimensions	14" x 27" x 7.6" / 356 x 686 x 193 mm		
Net Dimensions (WDH)	20.3" x 29" x 14.9" 514 x 737 x 378 mm	20.3" x 29" x 24.9" 514 x 737 x 632 mm	20.3" x 29" x 33.6" 514 x 737 x 854 mm
Gross Dimensions (WDH)	21.3" x 32.5" x 16.7" 540 x 825 x 424 mm	21.3" x 32.5" x 25.4" 540 x 825 x 645 mm	21.3" x 32.5" x 34.8" 540 x 825 x 884 mm

Freestanding Narrow Warming Drawer

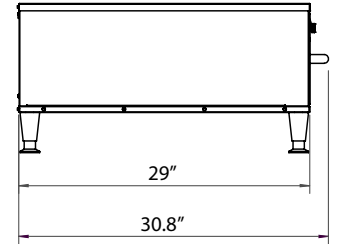
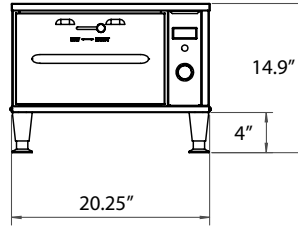
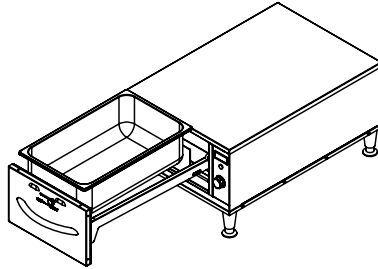


TECHNICAL DRAWING

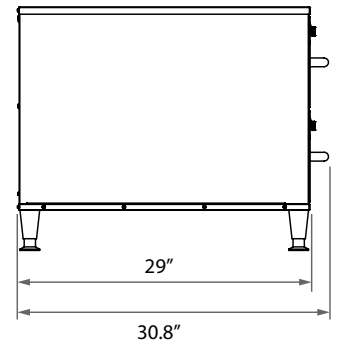
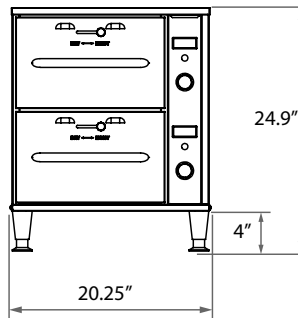
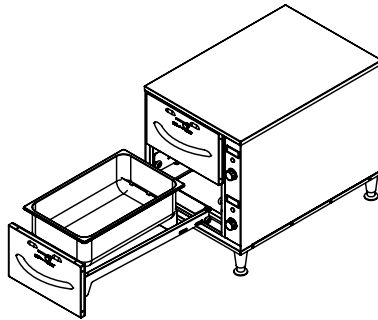
(Measurements in diagrams are in inches)



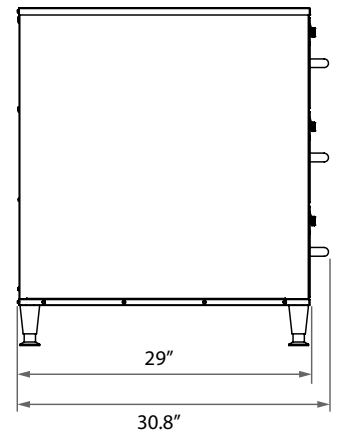
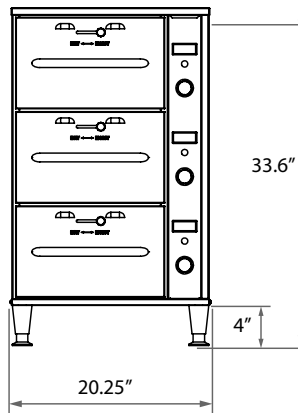
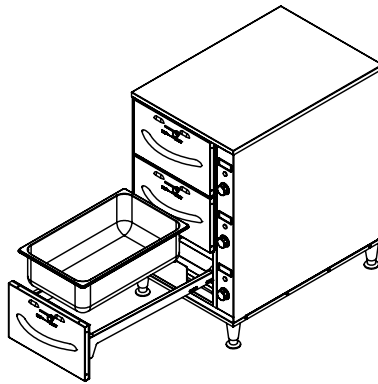
#47546



#48884



#47547



Drawer interior

