



SERVING THE FOOD INDUSTRY SINCE 1951

## Refrigerated Floor Showcases with Curved Glass

ITEM: 48351  
MODEL: RS-CN-0460

48352  
RS-CN-0660

46471  
RS-CN-0860



**Attractively display food merchandise and increase impulse sale.**

Omcan's refrigerated floor model showcases curved glass is perfect for restaurants, desserts, sandwiches, and cafe shops. Features a front hinge door access for easy cleaning purposes only. It has an attractive smooth finish, curved glass, and stainless steel body. Comes with a digital temperature controller and automatic defrost system.

**FEATURES:**

• **Adjustable Shelves**

Featuring adjustable, chrome-plated, rust-resistant shelves, this cabinet is perfect for showcasing a diverse range of items including desserts, pastries, cakes, beverages, yogurts, and fruit cups.

• **Superior Construction**

Crafted from high-quality stainless steel and double-pane tempered glass, this durable cooling cabinet is built to last and will serve your establishment reliably for years to come.

• **Dual Door Access - Front Hinge & Back Sliding Doors**

For convenient access to providing access to the items display and front hinge door easy cleaning

• **Powerful, environmentally safe refrigeration system**

Uses R290 refrigerant to keep your ingredients and fully prepared foods at safe frozen temperatures. The compressor is bottom mounted for energy efficiency.



Telephone: 1-800-465-0234

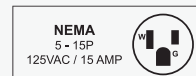
Fax: (905) 607-0234

Email: sales@omcan.com

Website: www.omcan.com



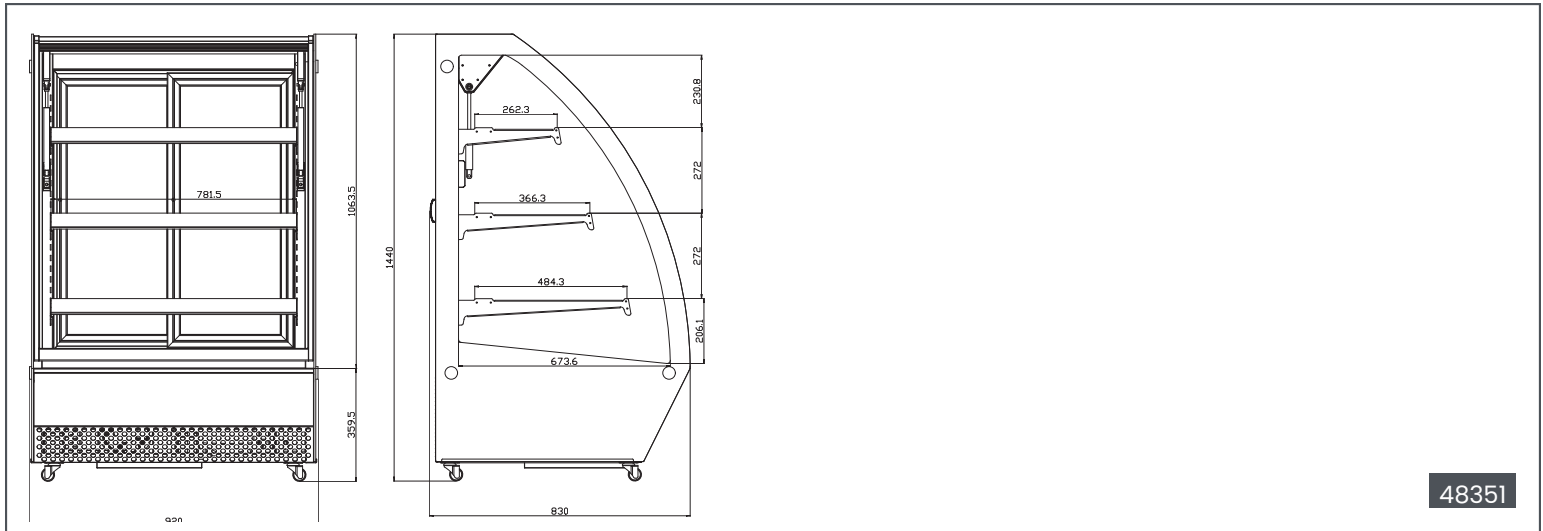
Authorized Dealer



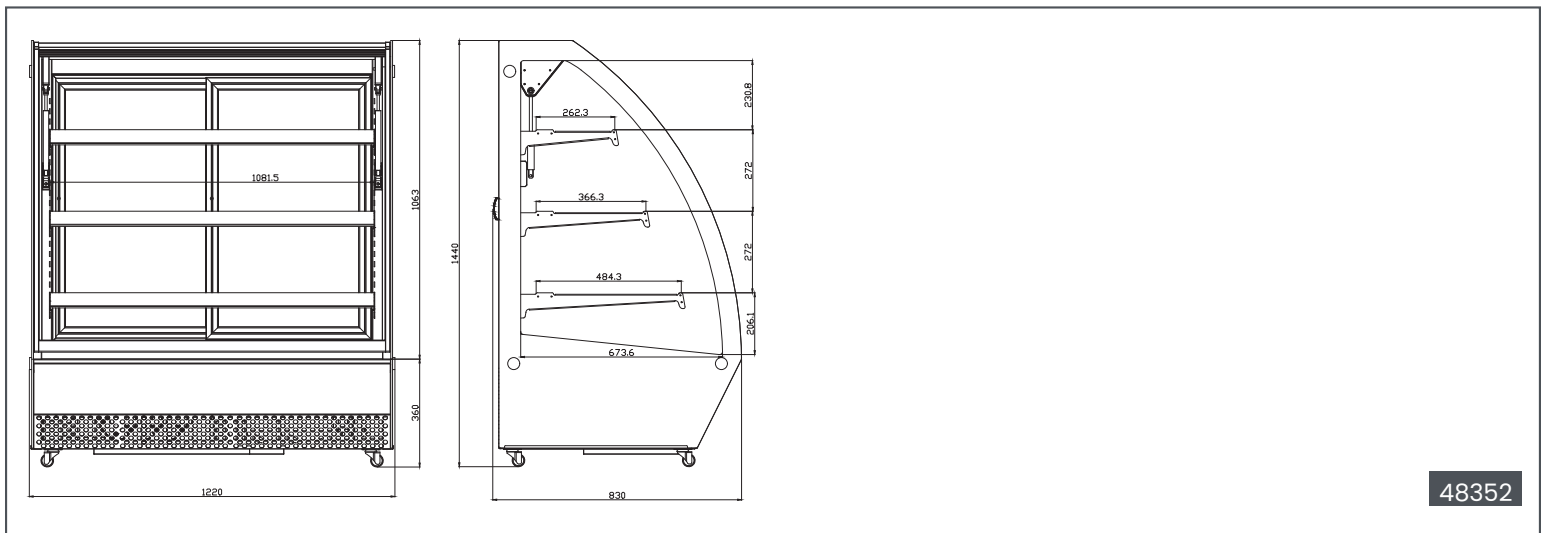
## TECHNICAL SPECIFICATION

Features	36" wide with 16.49 cu.ft. (467L) Capacity	48" wide with 22.35 cu.ft. (633L) Capacity	60" wide with 28 cu.ft. (799L) Capacity
Item	48351	48352	46471
Model	RS-CN-0460	RS-CN-0660	RS-CN-0860
Capacity	16.49 cu.ft. (467 L)	22.35 cu.ft. (633 L)	28 cu.ft. (799L)
Number of Doors	2 (1 Front Hinge & 1 Back Sliding)		
Number of Shelves	3		
Shelf Capacity	55lb. (25 kg.)		
Shelf Size	30.6" x 10.3" (778 x 262 mm) 30.6" x 14.4" (778 x 366 mm) 30.6" x 19" (778 x 484 mm)	42.4" x 10.3" (1078 x 262 mm) 42.4" x 14.4" (1078 x 366 mm) 42.4" x 19" (1078 x 484 mm)	54" x 10.3" (1374 x 262 mm) 54" x 14.4" 1374 x 366 mm) 54" x 19" (1374 x 484 mm)
Shelf Material	430 Stainless Steel + Aluminum		
Interior Material	ABS + Glass		
Exterior Material	430 Stainless Steel + Glass		
Number of Casters	Yes (4)		
Power	415 W	650W	680W
Lamp Power	10W		
Amps	6.4 A	7.3 A	6.2 A
Electrical	110V / 60Hz / 1Ph		
Temperature Controller	Digital		
Temperature Range	12 to 0°C (54 to 32°F)		
Refrigerant	R290A		
Injection	150g		
Type Of Climate	4		
Insulation Material	C5H10		
Defrosting	Automatic		
Cooling System	Ventilated		
Interior Dimensions (WDH)	33.27" x 26.5" x 40.75" (845 x 673 x 1035mm)	45" x 26.5" x 40.75" (1145 x 673 x 1035 mm)	55" x 26.5" x 40.75" (1397 x 673 x 1035 mm)
Net Weight	366 lb. (166 kg.)	454.2 lb. (206 kg.)	518 lb. (235 kg.)
Net Dimensions (WDH)	36.2" x 32.6" x 56.7" (920 x 828 x 1440mm)	48" x 32.6" x 56.7" (1220 x 828 x 1440mm)	59.8" x 32.6" x 56.7" (1519 x 828 x 1440 mm)
Gross Weight	441 lb. (200 kg.)	540 lb. (245 kg.)	617 lb. (280 kg.)
Gross Dimensions (WDH)	39" x 35" x 60" (991 x 889 x 1524 mm)	50" x 35" x 60" (1270 x 889 x 1524 mm)	66" x 36" x 70" (1676 x 914 x 1778 mm)
Plug Type	NEMA 5-15P		

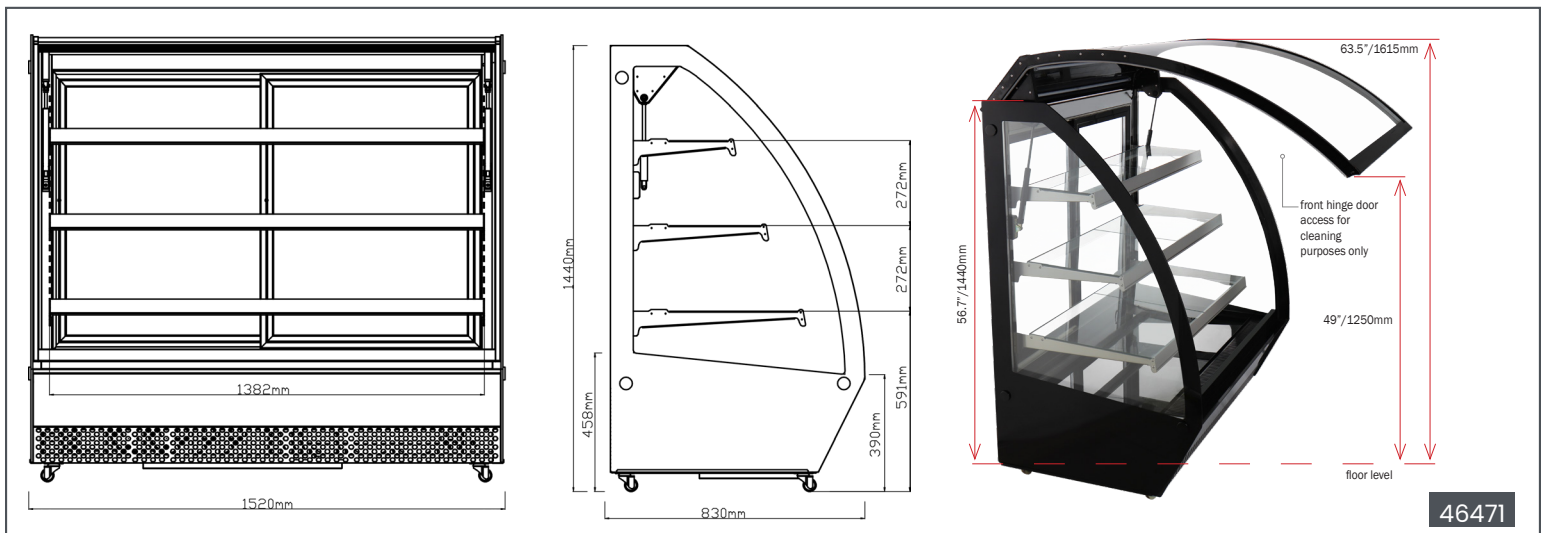
## TECHNICAL DRAWING



48351



48352



46471