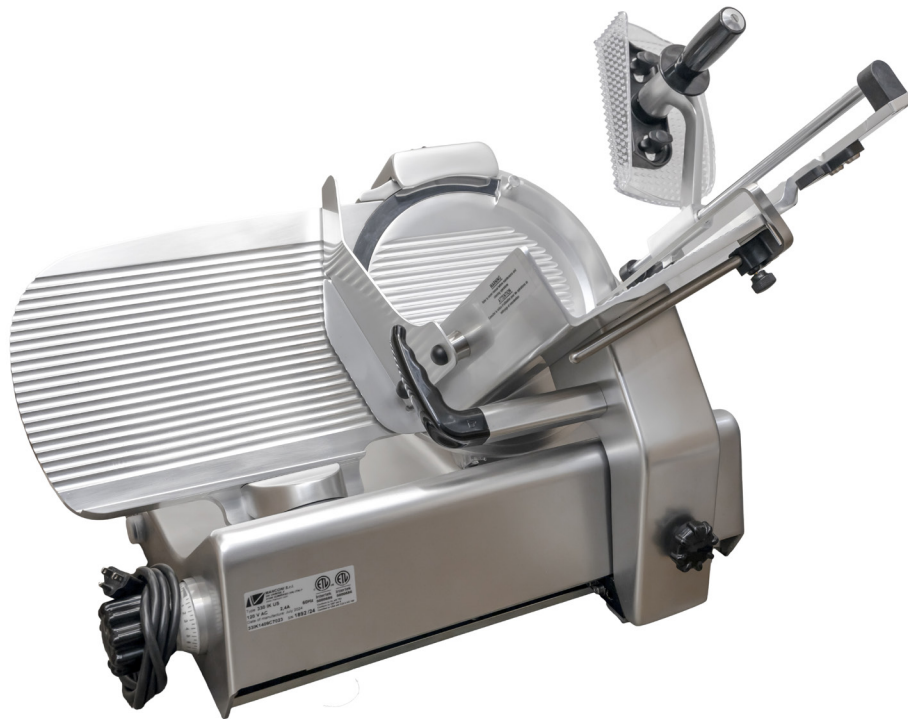


Manconi Kolossal 300 IK 13" Gear-Driven Slicer – 0.48 HP (360 W), 120 V

ITEM: 48391
MODEL: 330 IK US



Efficient and easy to use

Slicer with great capacity and cutting precision has a reduced loading height that notably reduces the operator strain.

The slicer is equipped with removable, swinging and transparent last slice device

FEATURES:

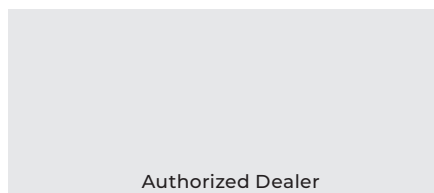
- Gear box transmission, hard wearing and reliable
- Great capacity and precision slicing
- Low loading height; reduced lifting and strain of the operator
- Carriage with spiked and swinging remnant holder
- Ultra smooth, polished aluminum surfaces and carefully machined slip grooves; reduced friction and simplified cleaning
- Compact design; reduced counter space
- Adjustable food fence
- Integral motor overload protection

1-833-487-3686

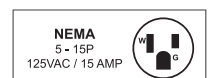
 www.trentoequipment.com

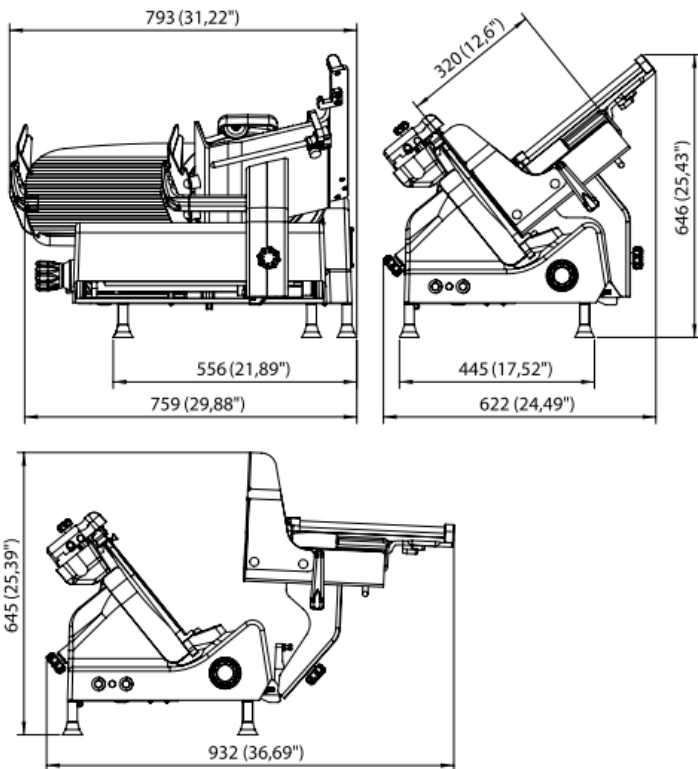
 sales@trentoequipment.com

Follow us on social media
@trentoequipment



Authorized Dealer





Technical Specification	
Item	48391
Model	330 IK US
Blade Size	13" (330 mm)
Cut Thickness	0 - 0.94" (0 - 24 mm)
Cheese Slicing*	■■■■
Slicing Volume**	All Day
Slicing Capacity	<input type="checkbox"/> 11.41" x 8.26" (290 x 210 mm) <input type="checkbox"/> 9.44" (240 mm)
RPM	255
Power	360 W / 0.48 hp
Electrical	120V / 60Hz / 1Ph
Net Weight	105 lb. (48 kg.)
Net Dimensions (WDH)	31.2" x 24.5" x 25.4" (792 x 622 x 646 mm)
Gross Weight	137 lb. (62 kg.)
Gross Dimensions (WDH)	35" x 28" x 29" (889 x 711 x 737 mm)
Plug Type	NEMA 5 - 15P

*Cheese Slicing Ratings Not Recommended Occasional Low Medium High

**Results may vary due to product consistency and temperature