



SERVING THE FOOD INDUSTRY SINCE 1951

## Square Glass Floor Refrigerated Display Case, Black

ITEM: 48472 48473 48474 48475  
 MODEL: RS-CN-0271-BL RS-CN-0371-BL RS-CN-0471-BL RS-CN-0571-BL

48472 - 36"



48473 - 48"



48474 - 60"



48475 - 72"



### Sleek, Modern, Flexible

Showcase your inventory in style. Our sleek glass encasement features bright LEDs and premium shelving to maximize product visibility. Equipped with powerful ventilated cooling for uniform airflow, the unit also includes repositionable, detachable shelves—making both cleaning and custom layouts a breeze.

- Brilliant LED illumination
- Digital temperature controller & display
- Adjustable glass shelves
- Full glass encasement
- Automatic defrost

Telephone: 1-800-465-0234

Fax: (905) 607-0234

Email: sales@omcan.com

Website: www.omcan.com



Authorized Dealer



Made in China

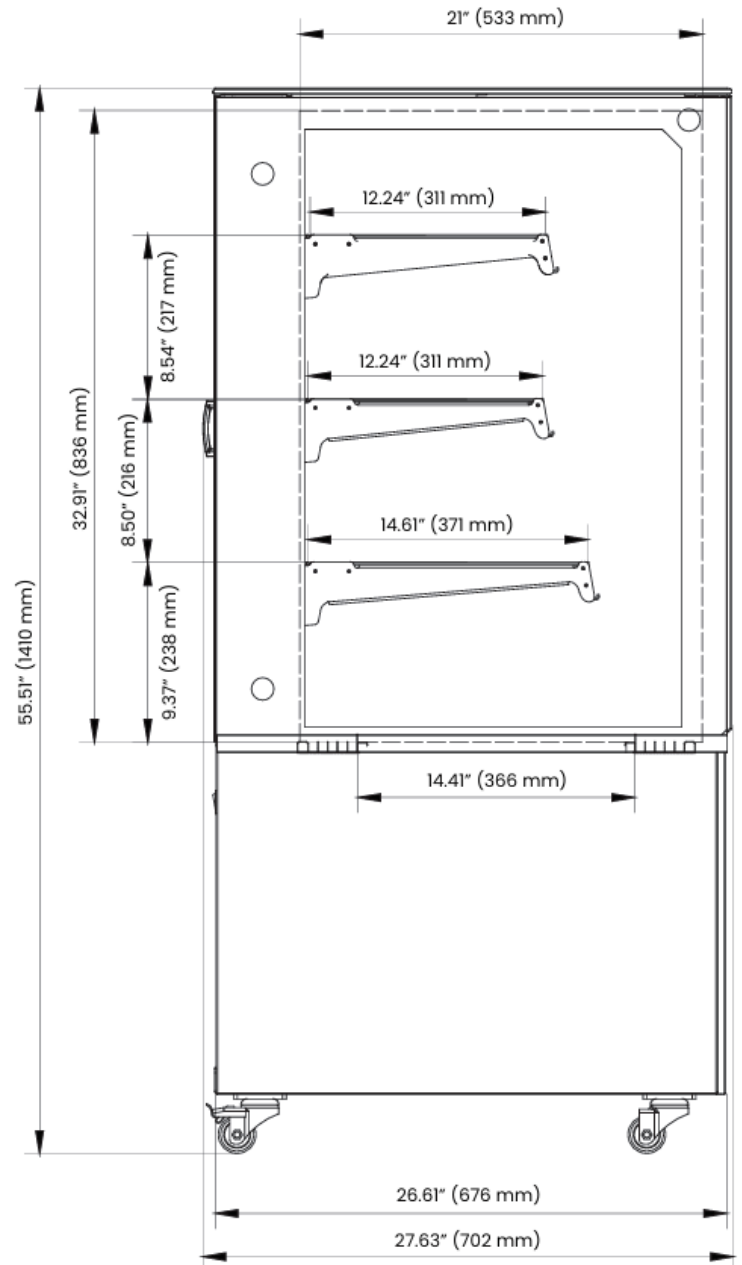
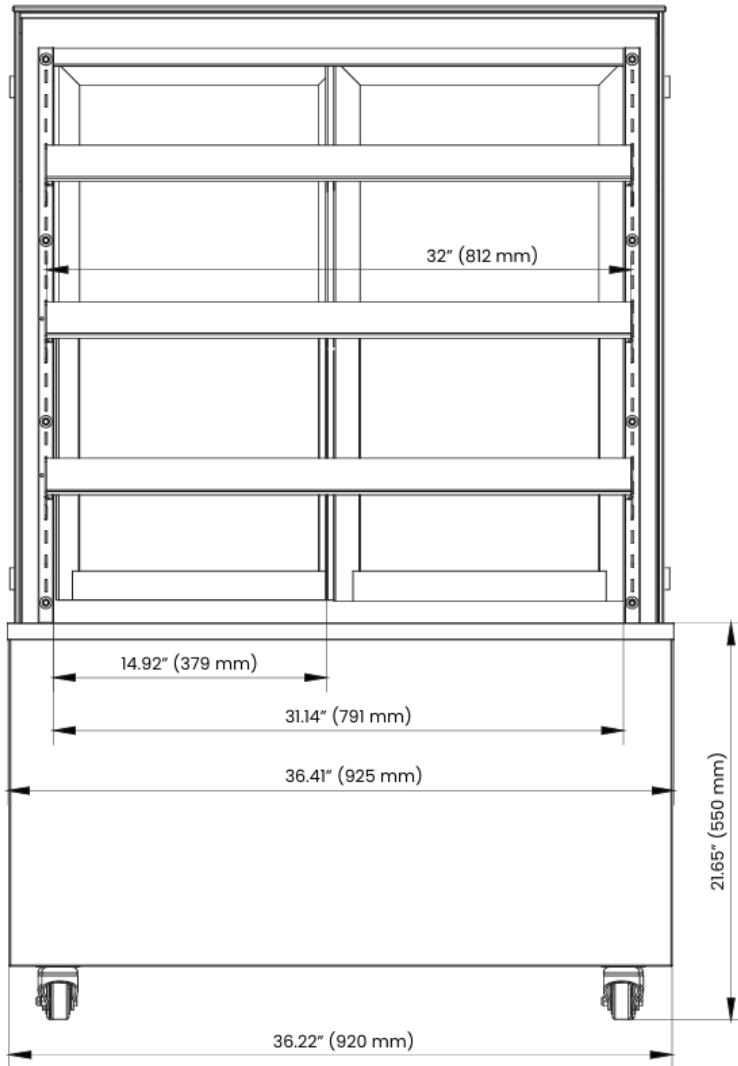
## TECHNICAL SPECIFICATION

Features	36" Square Glass Floor Refrigerated Display	48" Square Glass Floor Refrigerated Display
Item	48472	48473
Model	RS-CN-0271-BL	RS-CN-0371-BL
Capacity	390 L (13.77 cu.ft)	530 L (17.71 cu.ft)
Lamp Power	23 W	38 W
Temperature Range	32-54°F (0-12°C)	32-54°F (0-12°C)
Electrical	110 V / 60 Hz / 1 Ph	110 V / 60 Hz / 1 Ph
Refrigerant	R290	R290
Amperage	7.1 A	7.4 A
Shelf Dimensions	32" x 12.2" (817 x 311 mm) 32" x 14.6" (817 x 371 mm)	44" x 12.2" (1117 x 311 mm) 44" x 14.6" (1117 x 371 mm)
Net Dimensions (WDH)	34" x 23" x 33" (860 x 580 x 831 mm)	46" x 23" x 33" (1160 x 580 x 831 mm)
Compressor Power	3/8 HP (510 W)	3/8 HP (510 W)
Net Weight	357.1 lb (162 kg)	430 lb (195 kg)

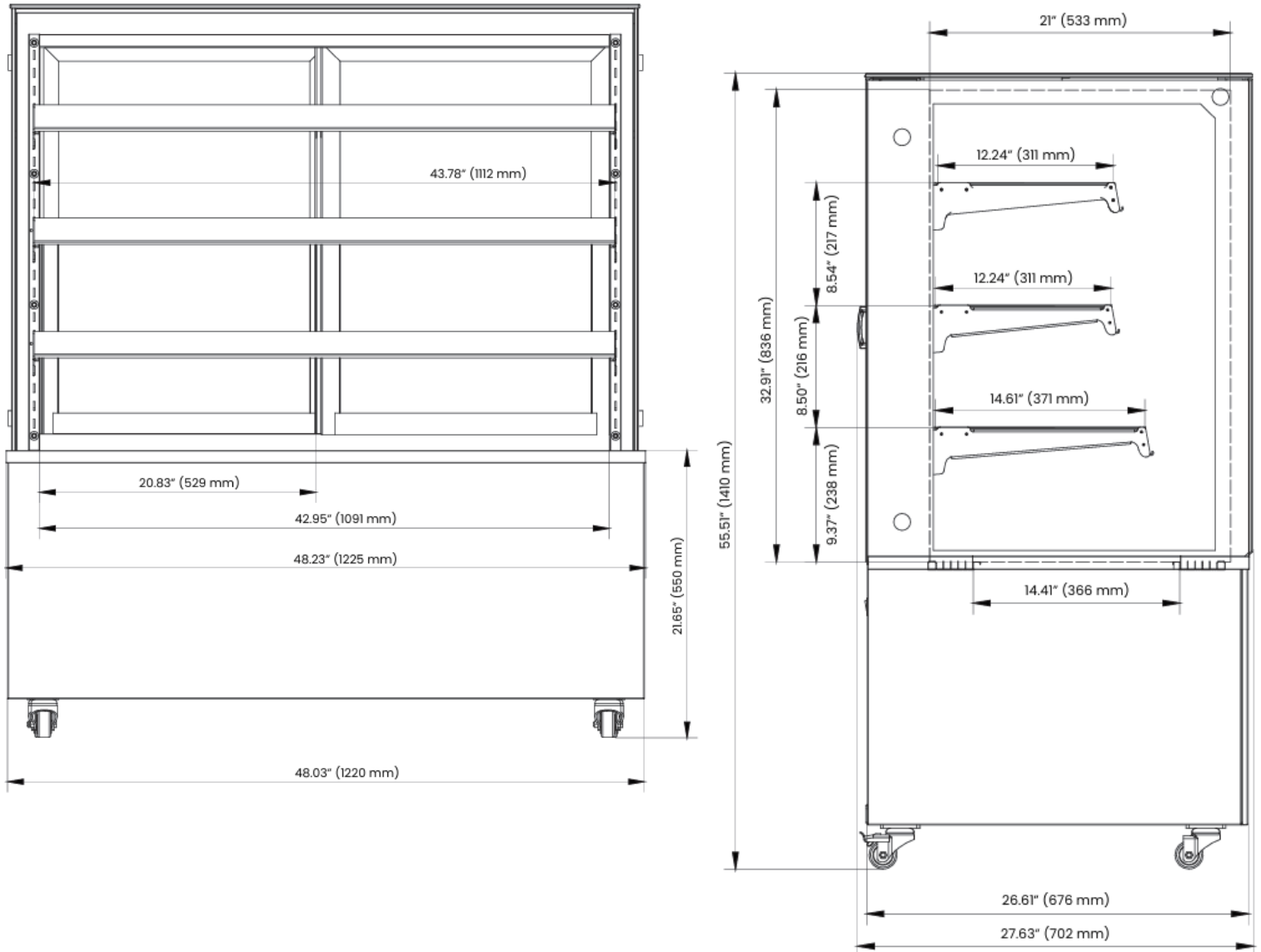
## TECHNICAL SPECIFICATION

Features	60" Square Glass Floor Refrigerated Display	72" Square Glass Floor Refrigerated Display
Item	48474	48475
Model	RS-CN-0471-BL	RS-CN-0571-BL
Capacity	670 L (23.66 cu.ft)	810 L (28.61 cu.ft)
Lamp Power	50 W	60 W
Temperature Range	32-54°F (0-12°C)	32-54°F (0-12°C)
Electrical	110 V / 60 Hz / 1 Ph	110 V / 60 Hz / 1 Ph
Refrigerant	R290	R290
Amperage	7.1 A	7.7 A
Shelf Dimensions	55.5" x 12" (1412 x 311 mm) 55.5" x 14.6" (1412 x 371 mm)	33.1" x 12.2" (842 x 311 mm) 33.1" x 14.6" (1117 x 371 mm)
Net Dimensions (WDH)	34" x 23" x 33" (860 x 580 x 831 mm)	72" x 26.8" x 55.5" (1825 x 680 x 1410 mm)
Compressor Power	3/8 HP (510 W)	3/8 HP (510 W)
Net Weight	556 lb (252 kg)	639 lb (290 kg)

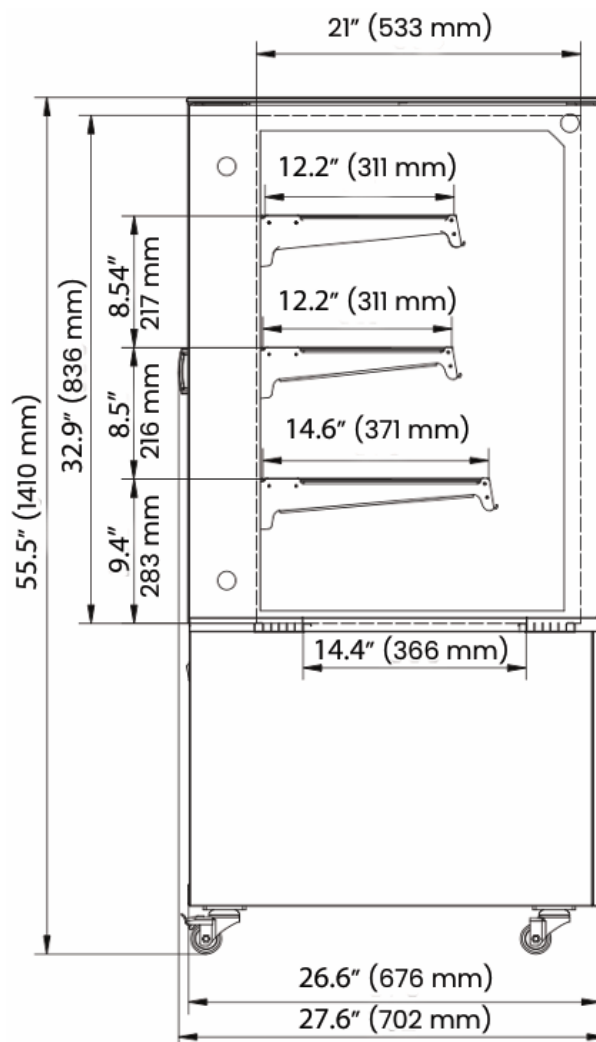
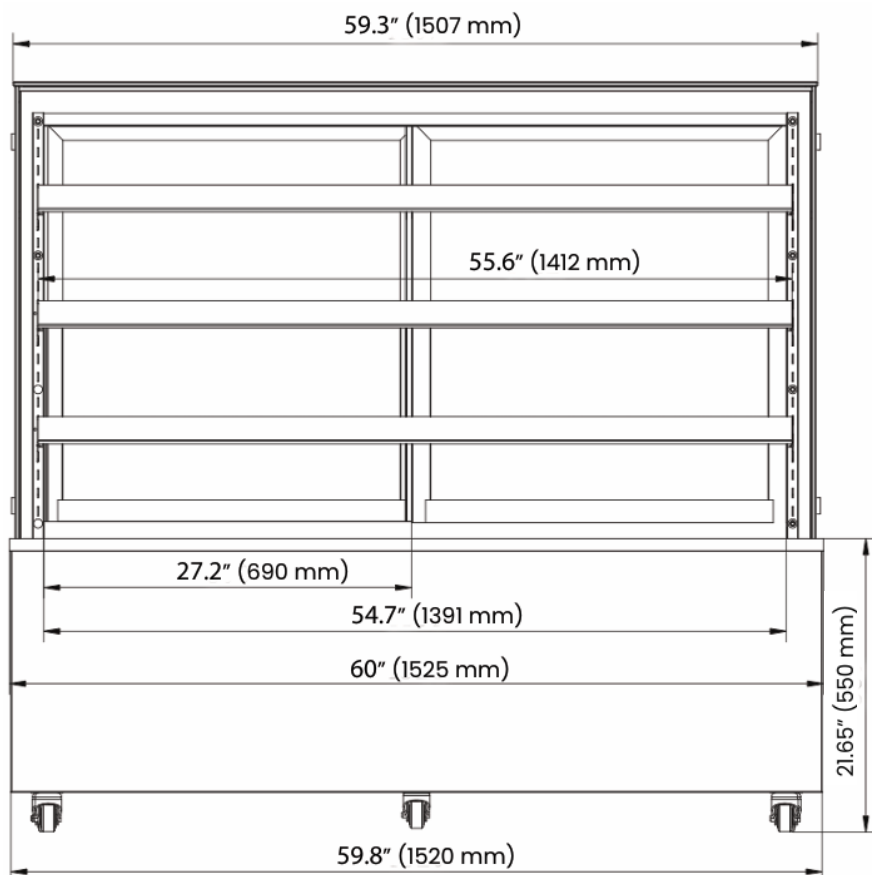
## TECHNICAL DRAWING (48472)



## TECHNICAL DRAWING (48473)



## TECHNICAL DRAWING (48474)



## TECHNICAL DRAWING (48475)

