



SERVING THE FOOD INDUSTRY SINCE 1951

Floor Model Electric Open Pot Fryer 50 lb. Capacity, 15,260W/208V/60Hz/3Ph

ITEM: 48554
MODEL: CE-CN-EF50 208



Fry faster, cook better.

Fry a wide variety of products with the full size frying area which easily accommodates items from appetizers to specialty foods-- chicken, fries and breaded products, fresh or frozen. Make the most of your energy dollars with our fully submerged element package. Heat absorption is maximized by full contact with the oil, allowing quick heat-up time and lower energy consumption per pound of product cooked.

FEATURES:

- **Snap Action Thermostat**
- **Adjustable Stainless Steel Legs**
Assures the optimal height for any usage environment
- **Fast Drainage**
1-1/4" port drain valve allows fast and efficient draining

Telephone: 1-800-465-0234

Fax: (905) 607-0234

Email: sales@omcan.com

Website: www.omcan.com



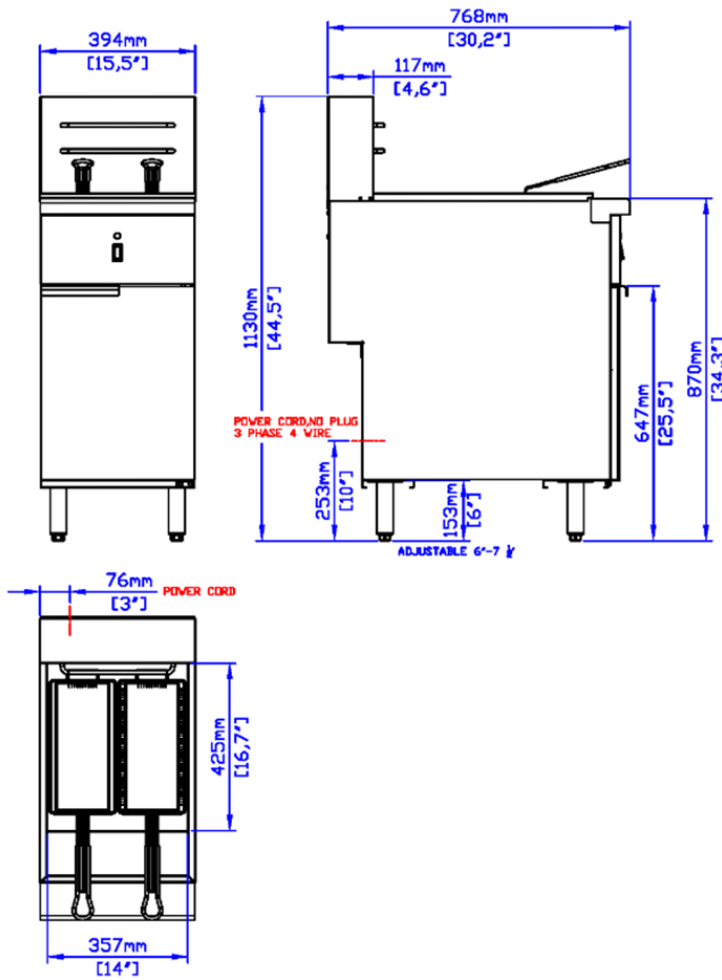
Authorized Dealer



*Power cord and plug not included; must be installed by a certified electrician



TECHNICAL DRAWING



TECHNICAL SPECIFICATION

Item	48554
Model	CE-CN-EF50 208
Temperature Range	86°F-374°F (30 °C - 190 °C)
Oil Capacity	50 lb. (27 L)
Power	15,260 W
Amperage	37 A
Electricals	208V / 60 Hz / 3ph
Net Dimensions	16" x 31" x 45" (406 x 787 x 1143 mm)
Gross Dimensions	17" x 33" x 34" (432 x 838 x 864 mm)
Net Weight	112 lb. (51 kg.)
Gross Weight	126 lb. (57 kg.)

BMAD System (Low maintenance high performance). Dimensions rounded up to the nearest inch or millimeter. Specifications subject to change without notice.