



SERVING THE FOOD INDUSTRY SINCE 1951

Refrigerated Self Service Display Case Square Countertop, Black

ITEM: 48564
MODEL: RE-CN-185B

48565
RE-CN-255B

48566
RE-CN-325B



A Luxury, Modern Display Perfect For Frontal Viewing.

A perfect display case for luxury baked goods, desserts, and deli sandwiches for being viewed from the front.

Ideal for displaying a selection of your best items for emphasis, this luxurious display is sure to attract attention and add value to your items.

FEATURES:

- Luxurious design
- Unobstrusive view of individual items
- Silent operation
- Low energy usage

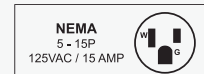
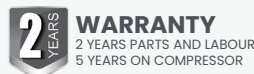


Telephone: 1-800-465-0234

Fax: (905) 607-0234

Email: sales@omcan.com

Website: www.omcan.com



Authorized Dealer

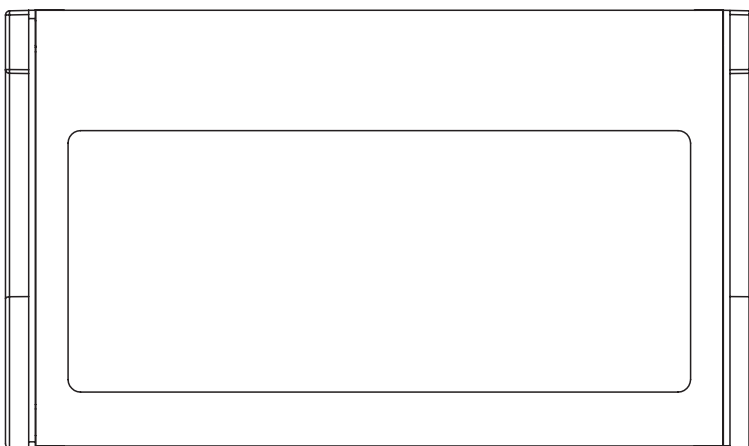
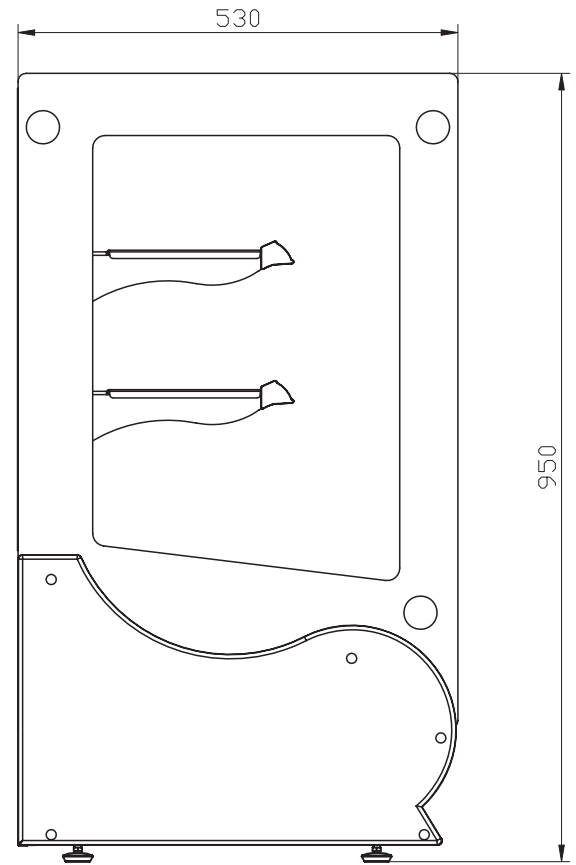
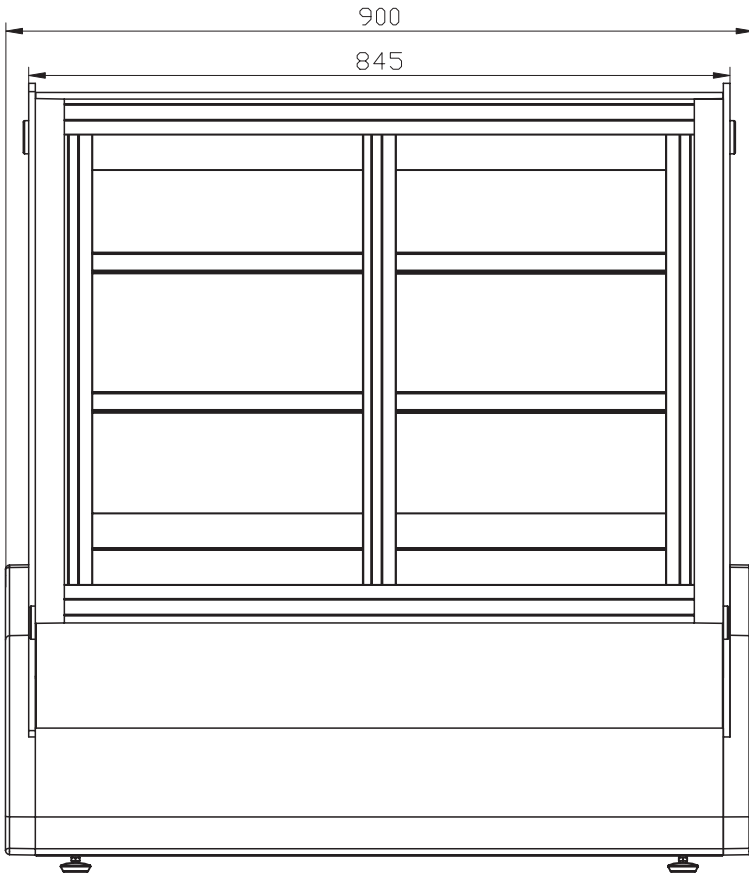
(Version 2024.07)

Page 1 / 5

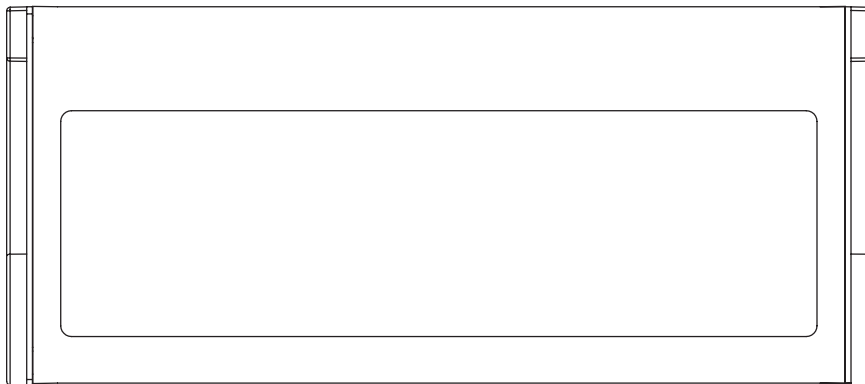
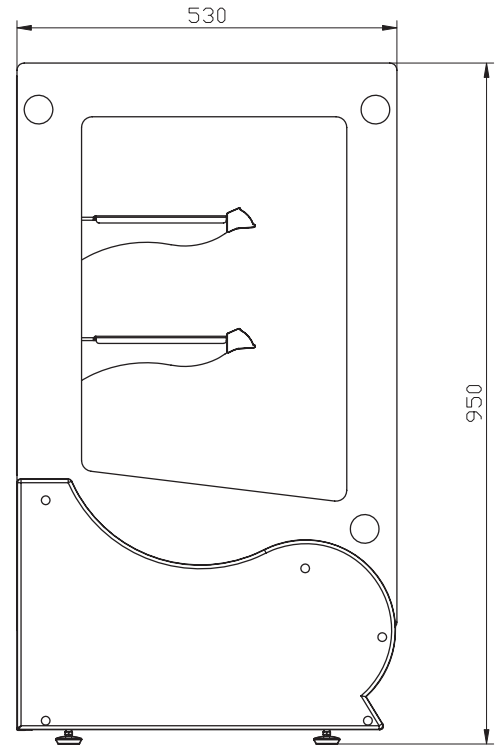
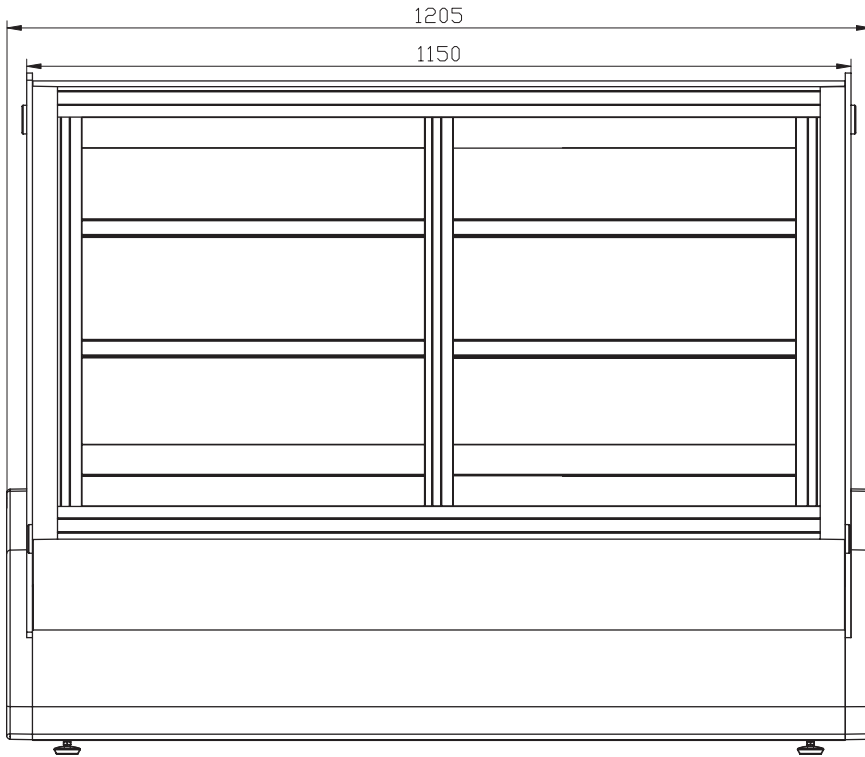
| TECHNICAL SPECIFICATION | 36" | 48" | 60" |
|---------------------------|--------------------------------------|---------------------------------------|---------------------------------------|
| Item | 48564 | 48565 | 48566 |
| Model | RE-CN-185B | RE-CN-255B | RE-CN-325B |
| Capacity | 6.5 cuft. (185 L) | 9 cuft. (255 L) | 11.5 cuft. (325 L) |
| Shelf Dimensions | 31" x 10" (778x255 mm) | 43"x 10" (1083x255 mm) | 55" x 10" (1388x255 mm) |
| Shelf Material | Glass Drawer | | |
| Interior Material | Glass / Stainless Steel | | |
| Exterior Material | Glass / Stainless Steel | | |
| Temperature Range | 32-53.6 °F (0-12 °C) | | |
| Power | 275 W | 305 W | 400 W |
| Current | 2.85 A | 3.1 A | 4 A |
| Electricals | 110-120 V / 60 Hz / 1 Ph | | |
| Internal Dimensions (WDH) | 32" x 17" x 22" (800x415x560 mm) | 44" x 17" x 22" (1105x415x560 mm) | 56" x 17" x 22" (1410x415x560 mm) |
| Net Dimensions (WDH) | 36" x 21" x 38" (900x530x950 mm) | 48" x 21" x 38" (1205x530x950 mm) | 60" x 21" x 38" (1510x530x950 mm) |
| Gross Dimensions (WDH) | 39" x 24" x 44" (975x605x1120 mm) | 51" x 24" x 44" (1280x605x1120 mm) | 63" x 24" x 44" (1585x605x1120 mm) |
| Net Weight | 227 lb. (103 kg.) | 298 lb. (135 kg.) | 340 lb. (154 kg.) |
| Gross Weight | 300 lb. (136 kg.) | 371 lb. (168 kg.) | 421 lb. (191 kg.) |

BMAD System (Low maintenance high performance). Dimensions rounded up to the nearest inch or millimeter. Specifications subject to change without notice.

TECHNICAL DRAWING (48564)



TECHNICAL DRAWING (48565)



TECHNICAL DRAWING (48566)

