



SERVING THE FOOD INDUSTRY SINCE 1951

Refrigerated Self Service Display Case Island, Black

ITEM:	48570	48571	48572	48573	48604
MODEL:	RE-CN-0900C	RE-CN-1200C	RE-CN-1500C	RE-CN-1800C	RE-CN-2100C



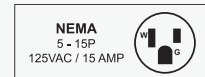
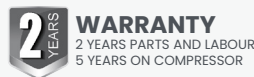
A Luxury, Modern Display Perfect For Central Locations.

A perfect display case for luxury baked goods, desserts, and deli sandwiches for placing in central locations.

Ideal for displaying a selection of your best items for emphasis, this luxurious display is sure to attract attention and add value to your items.

FEATURES:

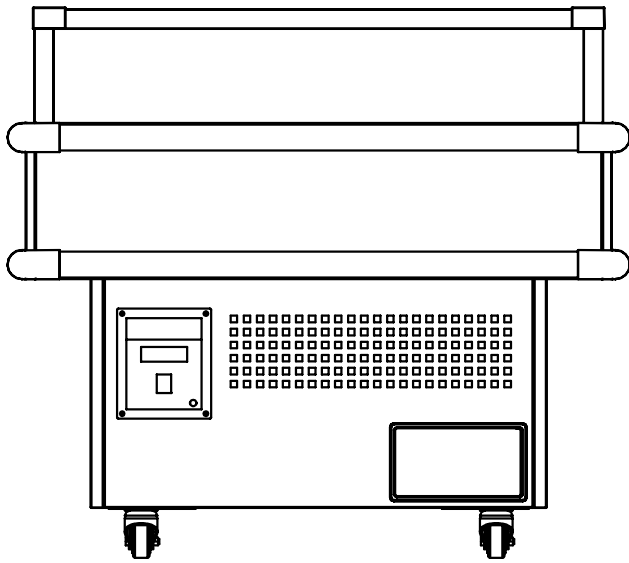
- Luxurious design
- Unobstrusive view of individual items
- Silent operation
- Low energy usage



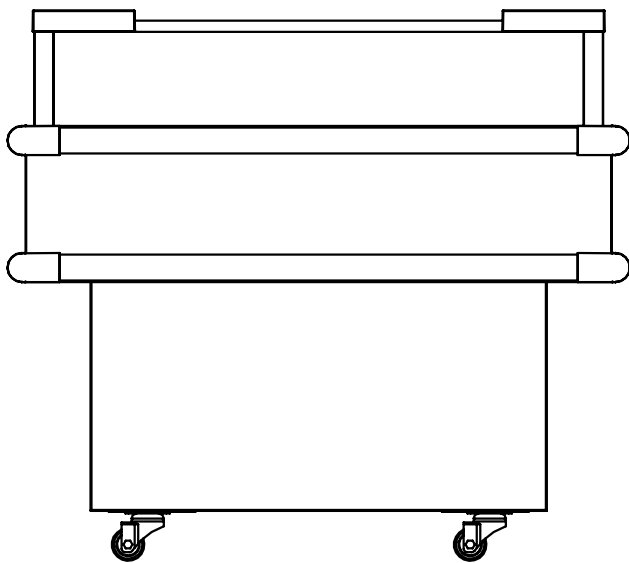
TECHNICAL SPECIFICATION	37.5"	50"	61"	73"	83"
Item	48570	48571	48572	48573	48604
Model	RE-CN-0900C	RE-CN-1200C	RE-CN-1500C	RE-CN-1800C	RE-CN-2100C
Capacity	4.2 cuft. (120 L)	5.7 cuft. (161 L)	7.1 cuft. (202 L)	8.6 cuft. (243 L)	10 cuft. (284 L)
Interior Material	Glass				
Exterior Material	Glass / Stainless Steel / Plastic				
Temperature Range	35.6-50 °F (2-10 °C)				
Power	320W	350W	380W	540W	540W
Current	3.5 A	3.8 A	6.5 A	6.5 A	6.5 A
Electricals	110-120 V / 60 Hz / 1 Ph				
Internal Dimensions (WDH)	34" x 34" x 6.3" (852x852x160 mm)	46" x 34" x 6.3" (1152x852x160 mm)	58" x 34" x 6.3" (1452x852x160 mm)	69" x 34" x 6.3" (1752x852x160 mm)	81" x 34" x 6.3" (2052x852x160 mm)
Net Dimensions (WDH)	38" x 38" x 34" (955x955x845 mm)	50" x 38" x 34" (1255x955x845 mm)	61" x 38" x 34" (1555x955x845 mm)	73" x 38" x 34" (1855x955x845 mm)	85" x 38" x 34" (2155x955x845 mm)
Gross Dimensions (WDH)	40" x 40" x 37" (1025x1025x920 mm)	53" x 40" x 37" (1325x1025x920 mm)	64" x 40" x 37" (1625x1025x920 mm)	76" x 40" x 37" (1925x1025x920 mm)	88" x 40" x 37" (2225x1025x920 mm)
Net Weight	230 lb. (104 kg.)	268 lb. (121.5 kg.)	311 lb. (141 kg.)	344 lb. (156 kg.)	382 lb. (173 kg.)
Gross Weight	269 lb. (122 kg.)	370 lb. (167.5 kg.)	423 lb. (191.5 kg.)	450 lb. (204 kg.)	543 lb. (246 kg.)

BMAD System (Low maintenance high performance). Dimensions rounded up to the nearest inch or millimeter. Specifications subject to change without notice.

TECHNICAL DRAWING (48570)



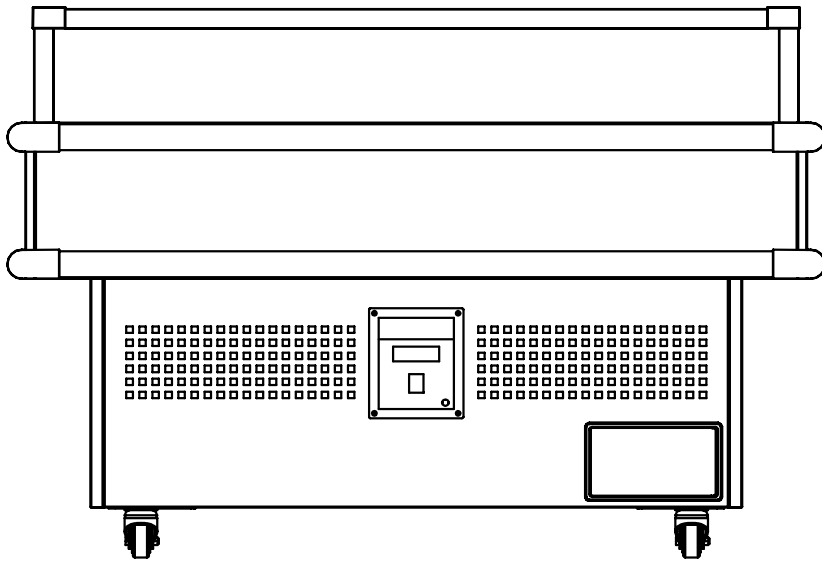
955mm



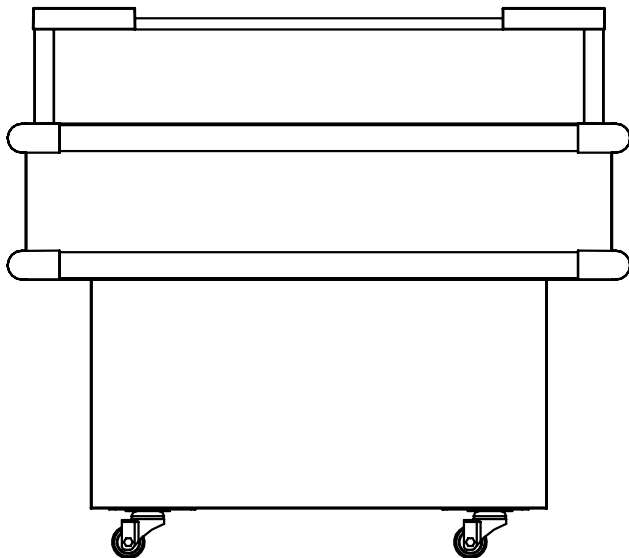
845mm

955mm

TECHNICAL DRAWING (48571)



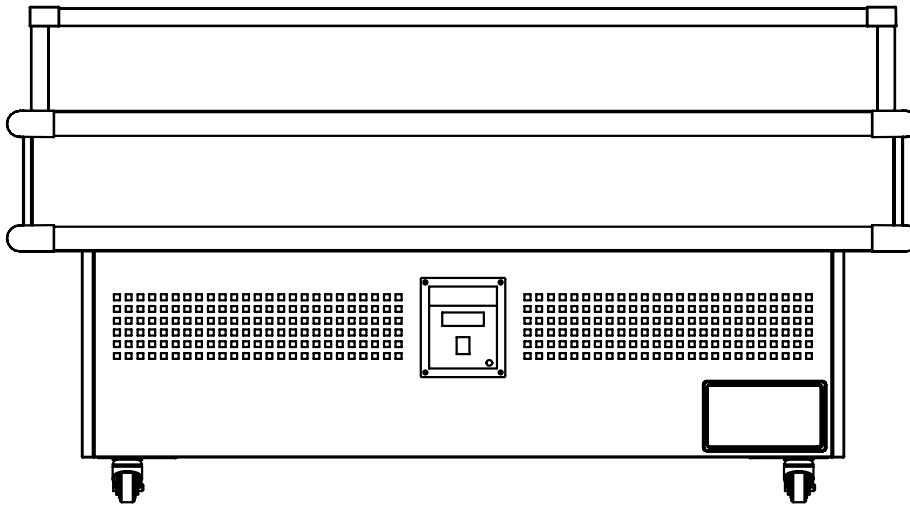
1255mm



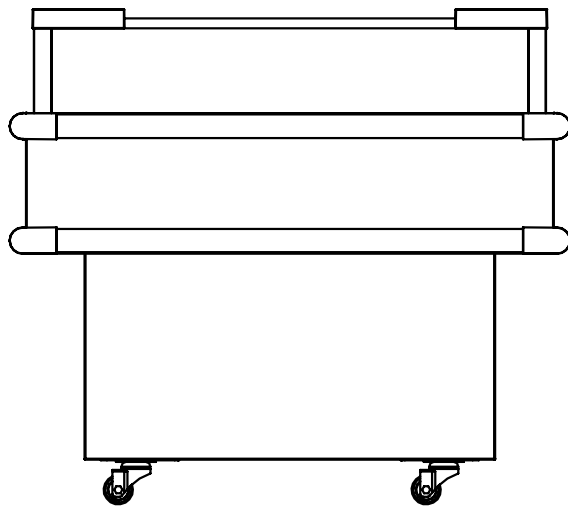
845mm

955mm

TECHNICAL DRAWING (48572)



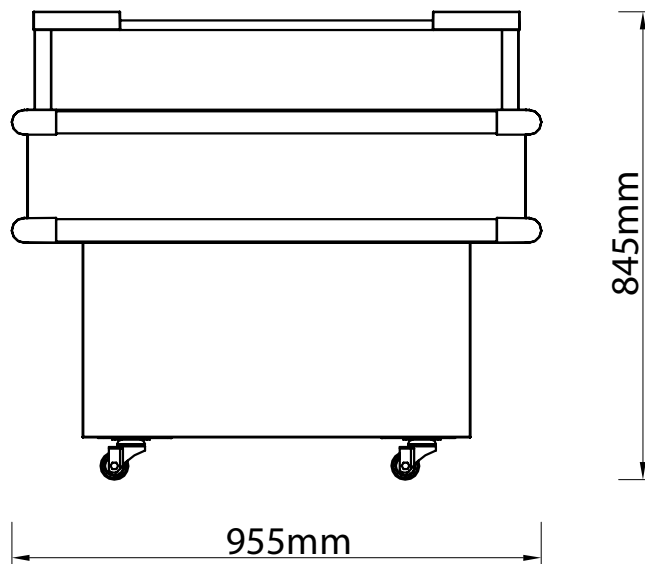
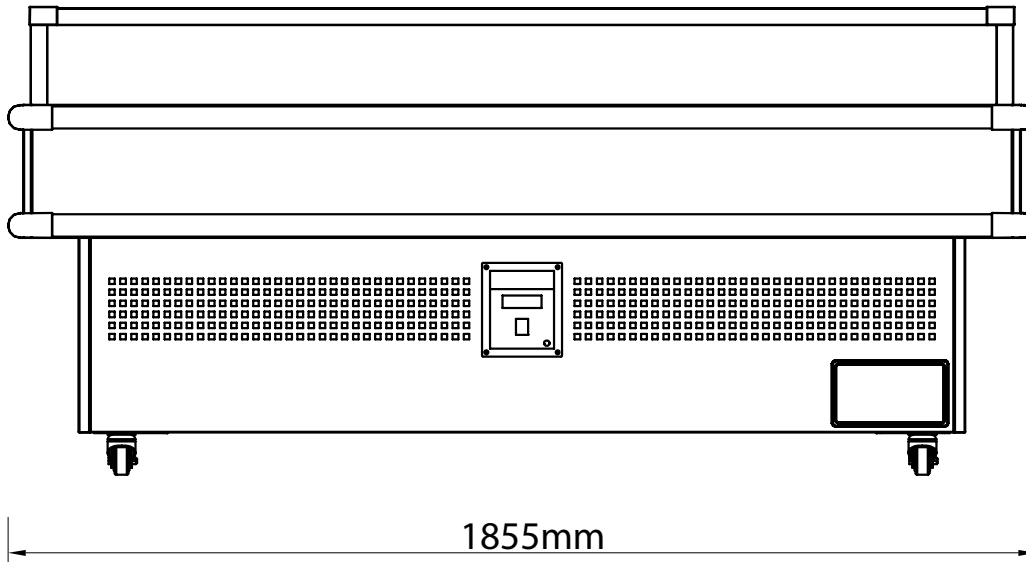
1555mm



845mm

955mm

TECHNICAL DRAWING (48573)



TECHNICAL DRAWING (48604)

