

Cocktail Mix Unit with Back Splash / Sliding Cover

ITEM: 48618 48138 48619



Omcan Cocktail Unit: The Ultimate Bar Essential!

The Omcan cocktail mix unit is essential for bars and restaurants, perfect for both alcoholic and non-alcoholic drinks. It features a backsplash, two hand sinks to maintain a tidy counter, and an ice bin to make sure you never run out of ice during busy shifts.

FEATURES:

- ✓ Stainless steel construction
- ✓ 7" backsplash
- ✓ 20" x 12" x 10" drop-in ice bin with sliding cover
- ✓ Wet waste top with two 10" x 12" x 10" sinks

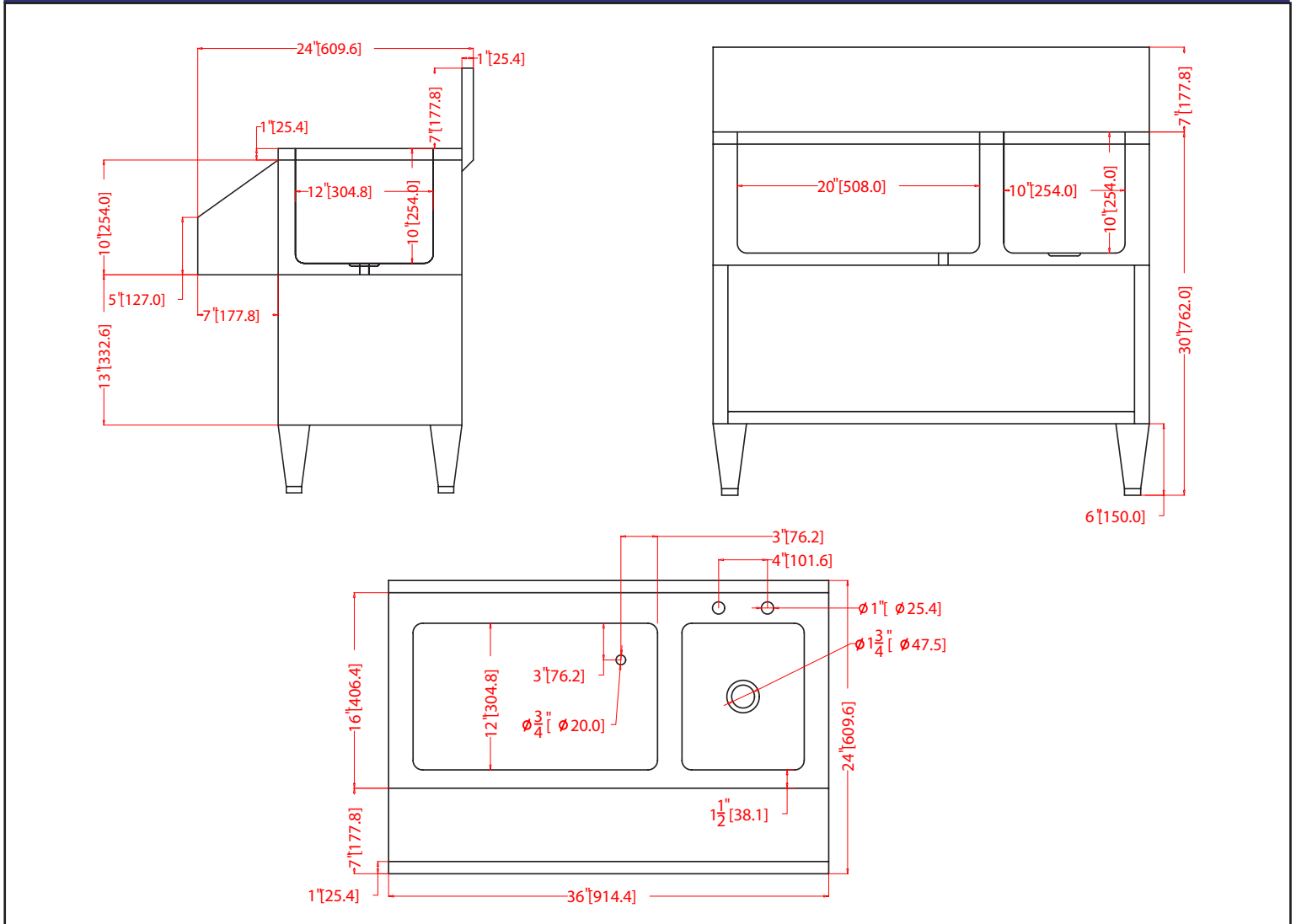


TECHNICAL SPECIFICATION

Item	48618
Hand Sink Dimensions (WDH)	10" x 12" x 10" (254 x 305 x 254 mm)
Ice Bin Bowl Dimensions (WDH)	20" x 12" x 10" (508 x 305 x 254 mm)
Net Dimensions (WDH)	36" x 24" x 37" (914 x 610 x 940 mm)
Gross Dimensions (WDH)	37" x 25" x 39" (940 x 635 x 991 mm)

*BMAD System (Low maintenance high performance). Dimensions rounded up to the nearest inch or millimeter. Specifications subject to change without notice.

TECHNICAL DRAWING

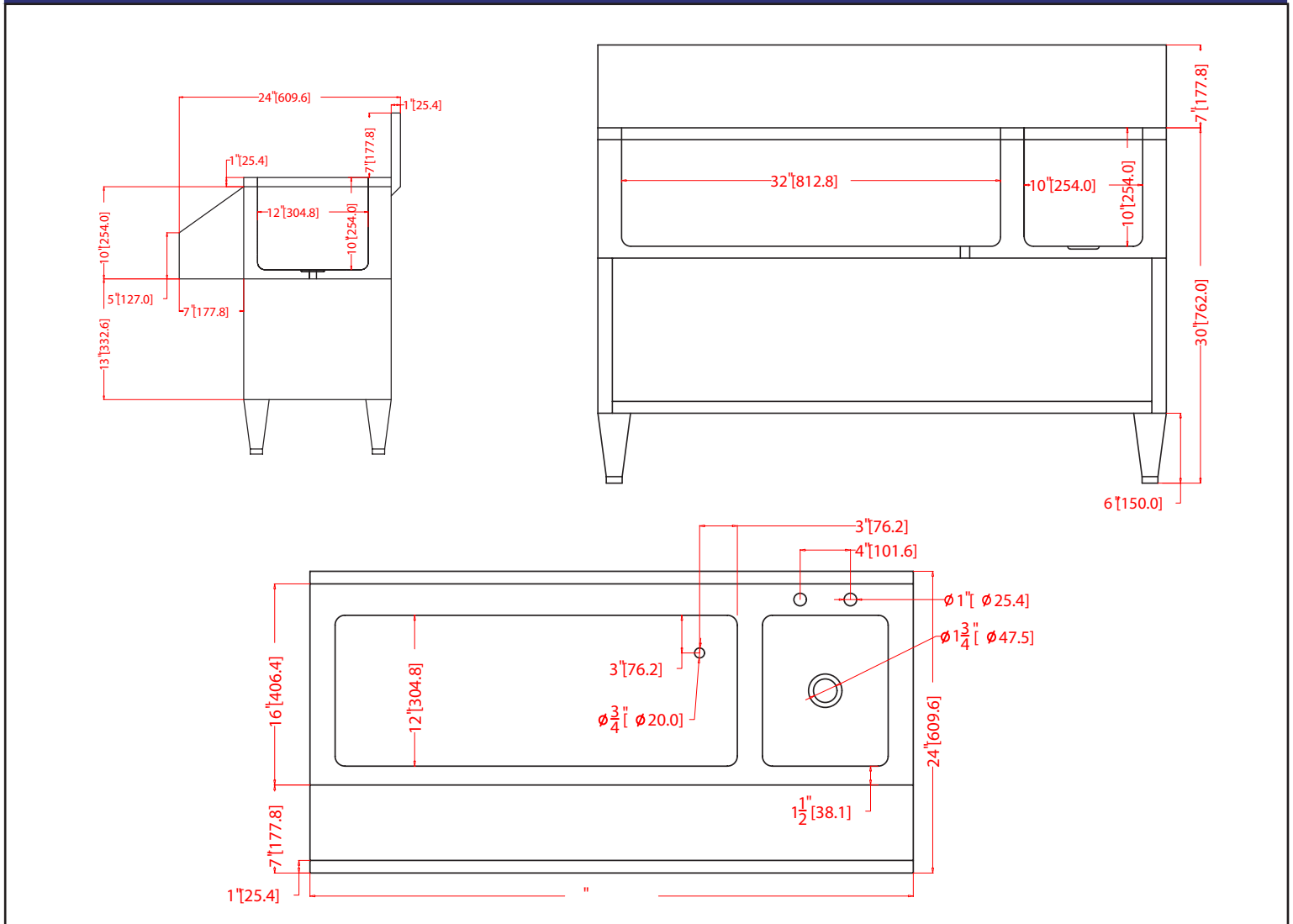


TECHNICAL SPECIFICATION

Item	48138
Hand Sink Dimensions (WDH)	10" x 12" x 10" (254 x 305 x 254 mm)
Ice Bin Bowl Dimensions (WDH)	32" x 12" x 10" (813 x 305 x 254 mm)
Net Dimensions (WDH)	48" x 24" x 37" (1219 x 610 x 940 mm)
Gross Dimensions (WDH)	49" x 25" x 39" (1245 x 635 x 991 mm)

*BMAD System (Low maintenance high performance). Dimensions rounded up to the nearest inch or millimeter. Specifications subject to change without notice.

TECHNICAL DRAWING



TECHNICAL SPECIFICATION

Item	48619
Hand Sink Dimensions (WDH)	10" x 12" x 10" (254 x 305 x 254 mm)
Ice Bin Bowl Dimensions(WDH)	44" x 12" x 10" (1118 x 305 x 254 mm)
Net Dimensions (WDH)	60" x 24" x 37" (1524 x 610 x 940 mm)
Gross Dimensions (WDH)	61" x 25" x 39" (1549 x 635 x 991 mm)

* BMAD System (Low maintenance high performance). Dimensions rounded up to the nearest inch or millimeter. Specifications subject to change without notice.

TECHNICAL DRAWING

