

Pasta Cooker Natural Gas

ITEM:	49099	49100	49097	49098
MODEL:	CE-IT-0090	CE-IT-0090PLUS	CE-IT-0045	CE-IT-0045PLUS

49099



49100



Unmatched Performance and Precision

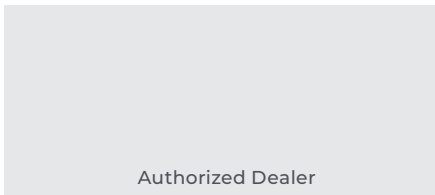
Designed for large-scale cooking, the generous capacity and advanced engineering ensure perfectly cooked pasta every time, with consistent results.

Constructed from high-quality stainless steel, the cooker features precise temperature control and superior heat distribution, allowing for exceptional efficiency and ease of use.

Whether for restaurants, catering, or high-end kitchens, this pasta cooker combines the artistry of Italian craftsmanship with modern functionality to meet the demands of serious cooking.

FEATURES:

- **Durable Construction**
Made of AISI 304 grade stainless steel, fully rounded corners
- **Perforated tops**
Baskets rest on perforated tops with incorporated channels for drainage
- **Stainless steel burners**
Burners in stainless steel with stabilized flame
- **Double burners**
PLUS models feature double burners for faster cooking (49100, 49098)





49097

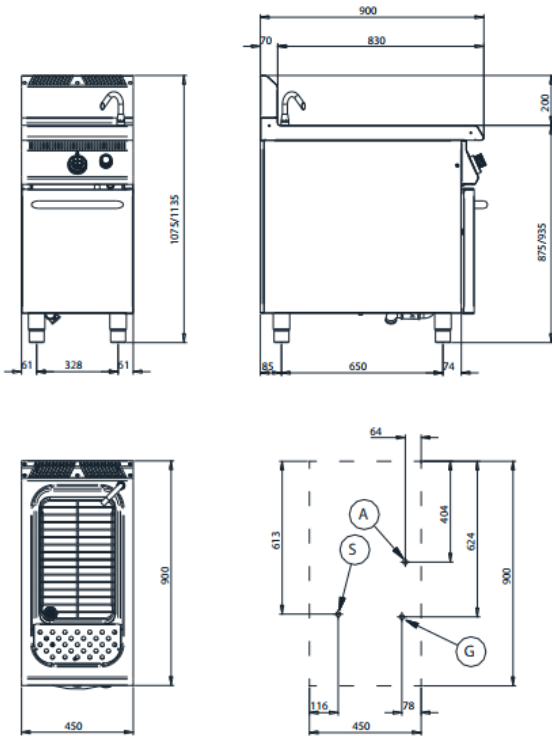


49098

Technical Specification				
Item	49099	49100	49097	49098
Model	CE-IT-0090	CE-IT-0090PLUS	CE-IT-0045	CE-IT-0045PLUS
Material	Stainless Steel			
Thermal Power	95,000 BTU/hr	156,000 BTU/hr	47,500 BTU/hr	78,000 BTU/hr
Tank Volume	2 x 11.89 Gal	2x 11.89 Gal	1 x 11.89 Gal	1 x 11.89 Gal
Net Weight	264.5 lb. (120 kg.)	271 lb. (123kg.)	143.3 lb. (65 kg.)	147.7 lbs. (67 kg)
Net Dimensions	35.43" x 35.43" x 45.78" (900 x 900 x 1100/1163 mm)	35.43" x 35.43" x 45.78" (900 x 900 x 1100/1163 mm)	17.72" x 35.43" x 43.30" (450 x 900 x 1100/1163 mm)	17.72" x 35.43" x 43.30" (450 x 900 x 1100/1163 mm)
Gross Weight	302 lb. (137 kg.)	308.6 lbs. (140 kg)	170 lbs. (77 kg)	174 lbs. (79 kg)
Gross Dimensions	39.3" x 43.3" x 51.2" (1000 x 1100 x 1300 mm)	39.3" x 43.3" x 51.2" (1000 x 1100 x 1300 mm)	23.6" x 43.3" x 51.2" (600 x 1100 x 1300 mm)	23.6" x 43.3" x 51.2" (600 x 1100 x 1300 mm)

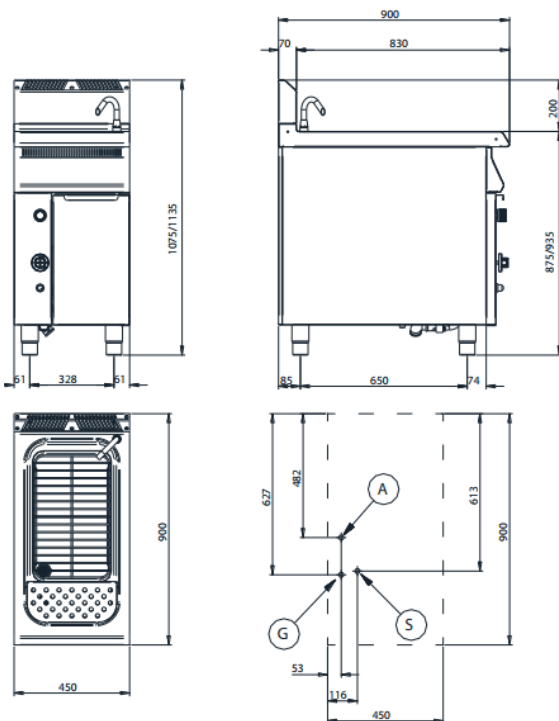
Technical Drawing

49097



- A = Carico acqua \varnothing 1/2"
Water supply \varnothing 1/2"
- S = Scarico acqua \varnothing 1"
Water drain \varnothing 1"
- G = Gas \varnothing 1/2"

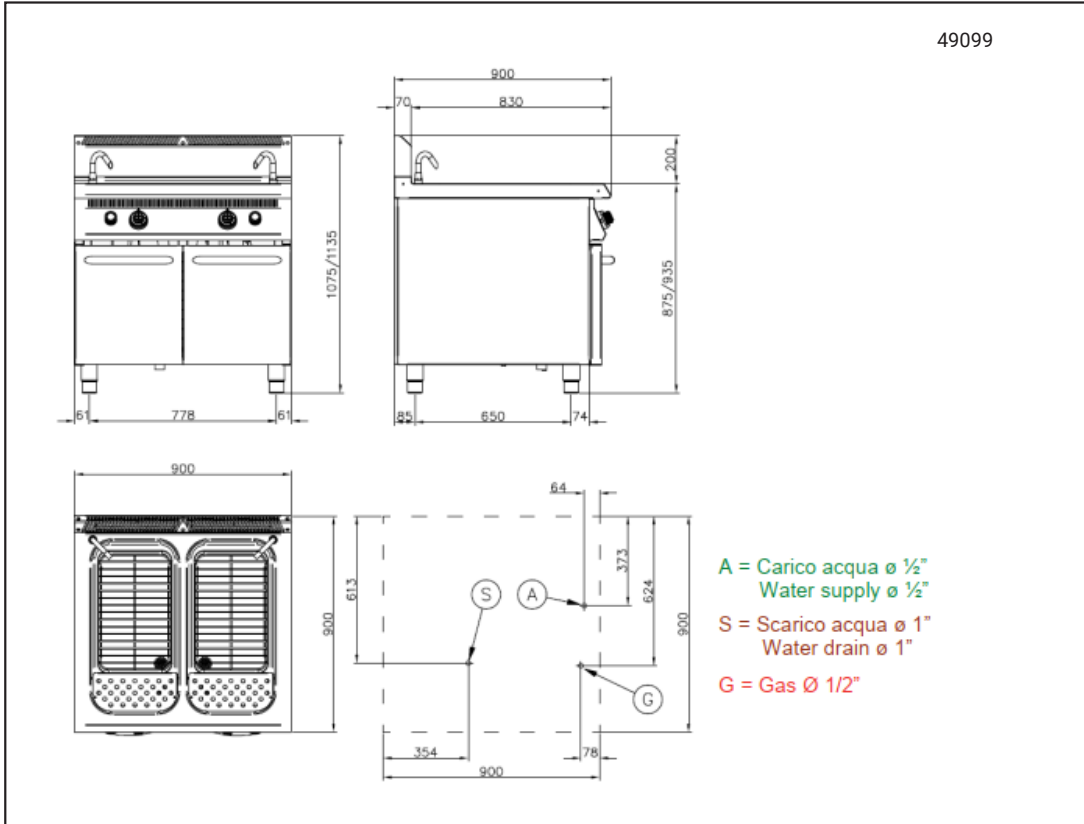
49098



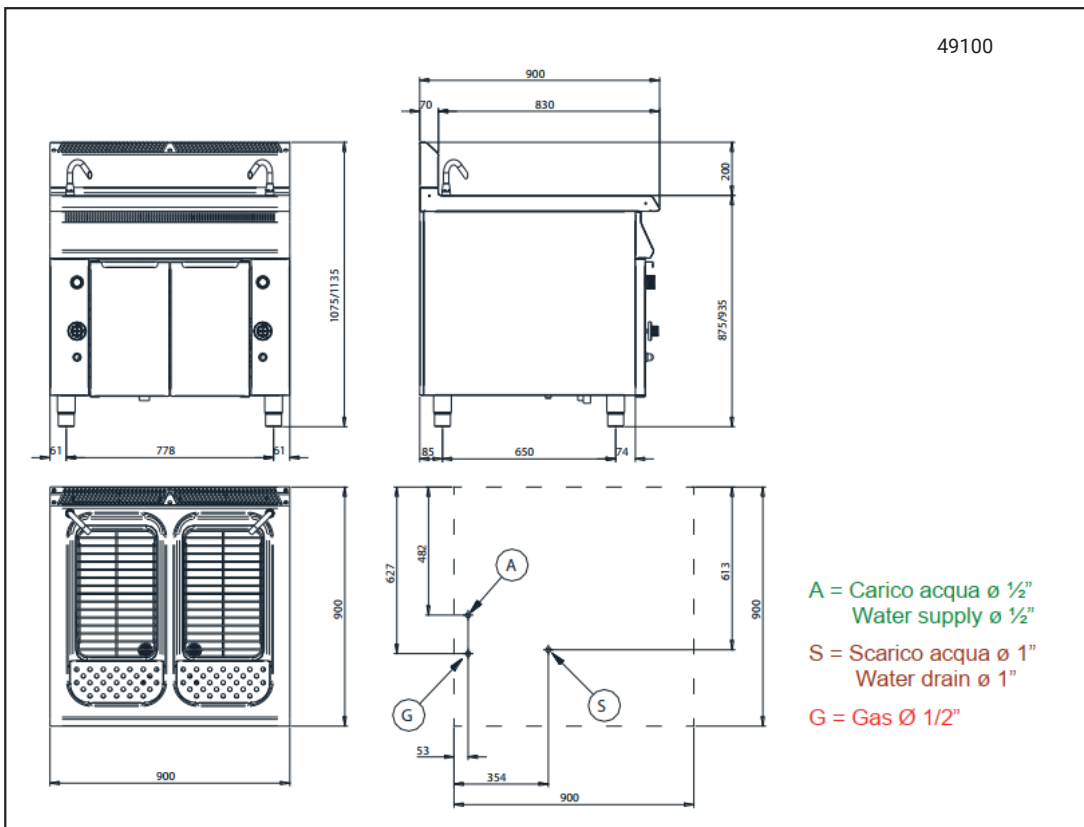
- A = Carico acqua \varnothing 1/2"
Water supply \varnothing 1/2"
- S = Scarico acqua \varnothing 1"
Water drain \varnothing 1"
- G = Gas \varnothing 1/2"

Technical Drawing

49099



49100



Accessories



49106



49107



49108

Technical Specification			
Description	Rectangular Pasta Cooking Basket with Two Handles	Rectangular Pasta Cooking Basket with Left Handle	Rectangular Pasta Cooking Basket with Right Handle
Item	49106	49107	49108
Net Weight	3.97 lbs. (1.8kg)	2.43 lbs. (1.1kg)	2.43 lbs. (1.1kg)
Net Dimensions	11.3" x 6.4" x 8.4" (287 x 162.5 x 213.3 mm)	6.4" x 5.6" x 8.4" (162.5 x 142.2 x 213.3 mm)	6.4" x 5.6" x 8.4" (162.5 x 142.2 x 213.3 mm)