



## Solid Stainless Steel Shelves

ITEM: 49134 49135 49137 49139  
49136 49138 49140



TECHNICAL SPECIFICATION							
Item	49134	49135	49136	49137	49138	49139	49140
Capacity	450 lb. (204 kg.)						
Net Weight	13.5 lb. (6.1 kg.)	17.4 lb. (7.9 kg.)	21.2 lb. (9.6 kg.)	22 lb. (10 kg.)	28.7 lb. (13 kg.)	35.3 lb. (16 kg.)	41.9 lb. (19 kg.)
Gross Weight	15.7 lb. (7.1 kg.)	19.6 lb. (8.9 kg.)	23.4 lb. (10.6 kg.)	24.3 lb. (11 kg.)	30.9 lb. (14 kg.)	37 lb. (16.8 kg.)	43.4 lb. (19.7 kg.)
Gross Dimensions (WDH)	18.7" x 36.6" x 3.5" (475 x 930 x 90)	18.7" x 48.6" x 3.5" (475 x 1235 x 90)	18.7" x 60.6" x 3.5" (475 x 1540 x 90)	24.6" x 36.6" x 3.5" (625 x 930 x 90)	24.6" x 48.6" x 3.5" (625 x 1235 x 90)	24.6" x 60.6" x 3.5" (625 x 1540 x 90)	24.6" x 72.6" x 3.5" (625 x 1845 x 90)

Telephone: 1-800-465-0234

Fax: (905) 607-0234

Email: sales@omcan.com

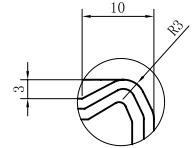
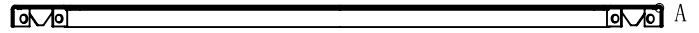
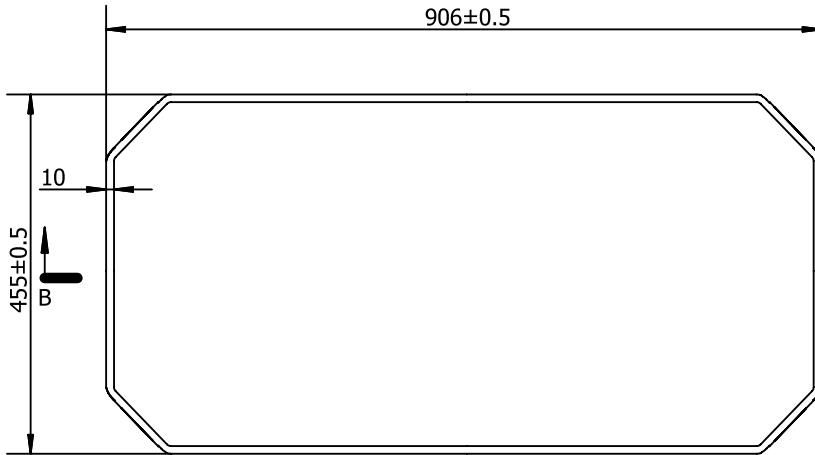
Website: www.omcan.com



Authorized Dealer

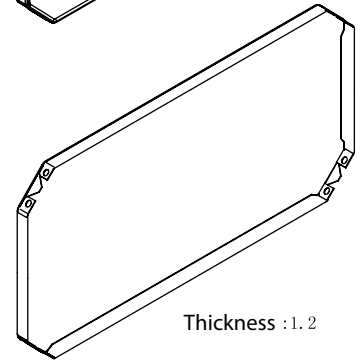
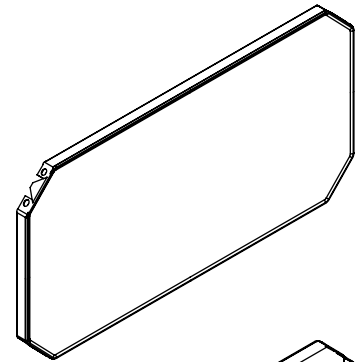
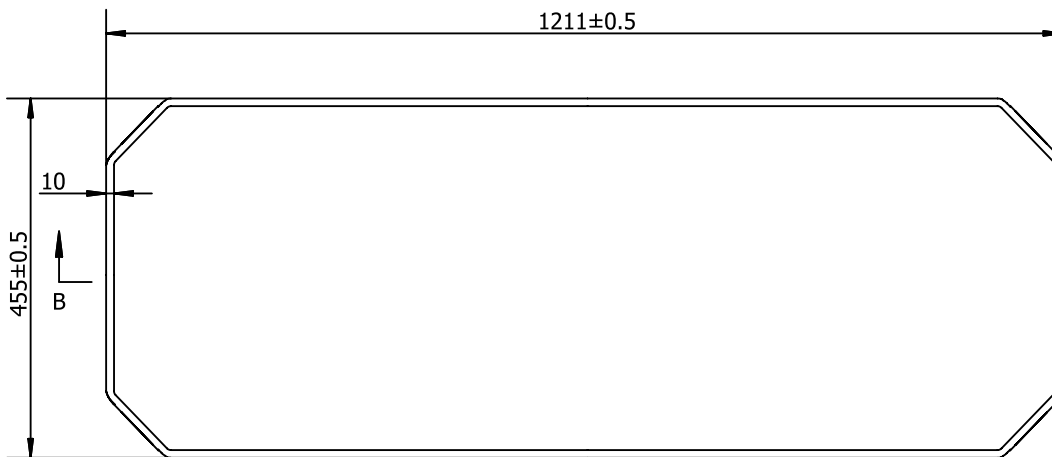


## TECHNICAL DRAWING 18x36" (49134)



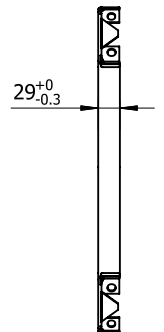
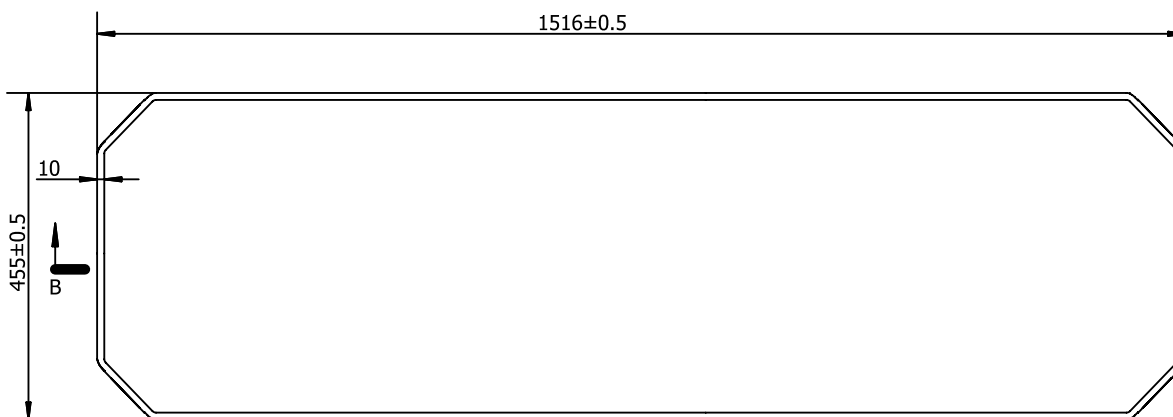
Details : A

## TECHNICAL DRAWING 18x48" (49135)



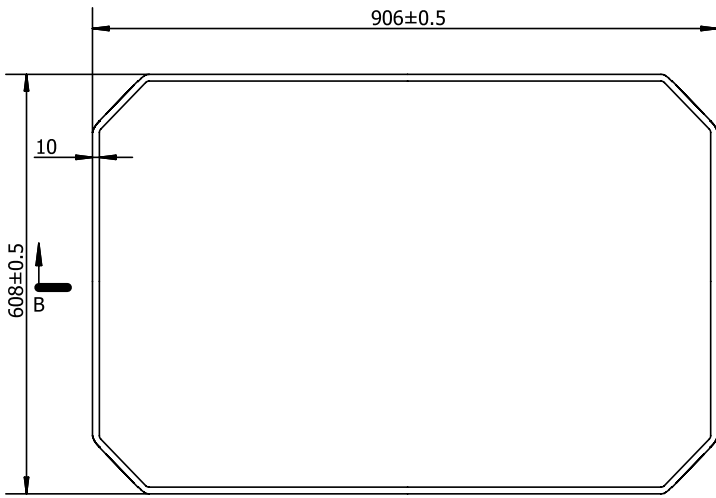
Thickness : 1.2

## TECHNICAL DRAWING 18x60" (49136)

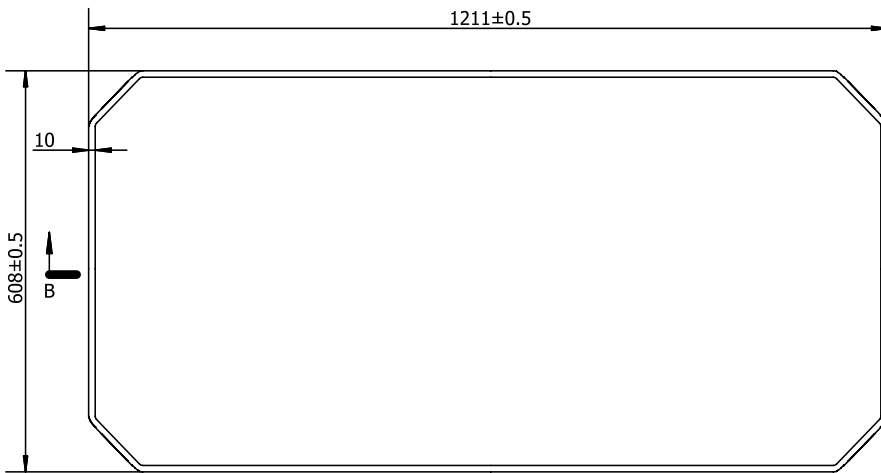


BMAD System (Low maintenance high performance). Dimensions rounded up to the nearest inch or millimeter. Specifications subject to change without notice.

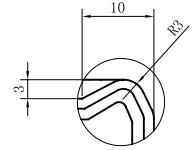
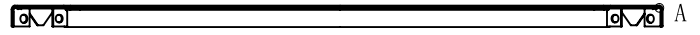
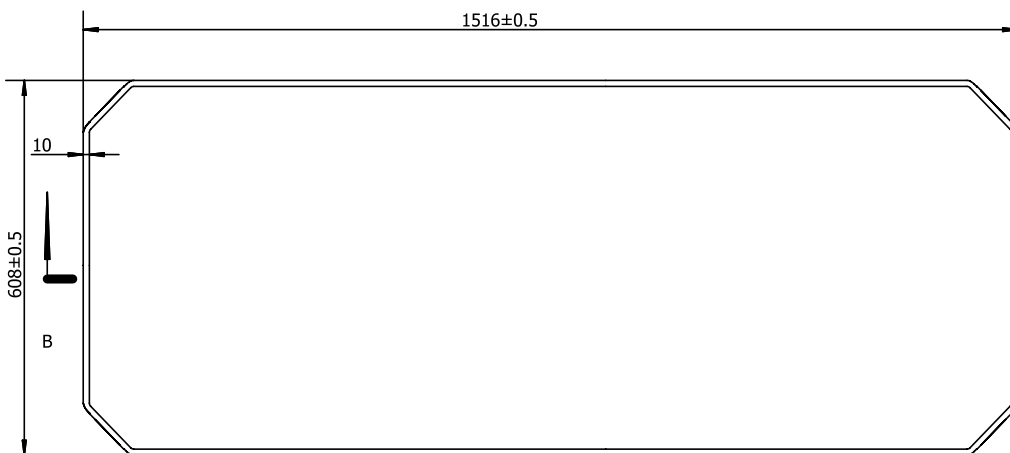
## TECHNICAL DRAWING 24x36" (49137)



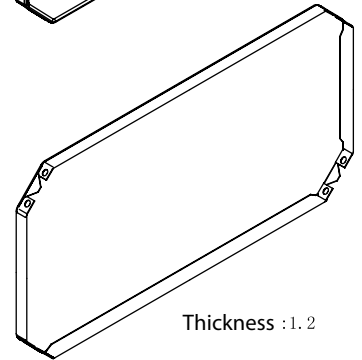
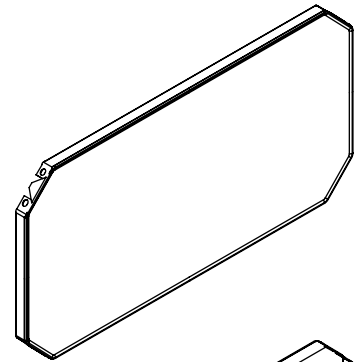
## TECHNICAL DRAWING 24x48" (49138)



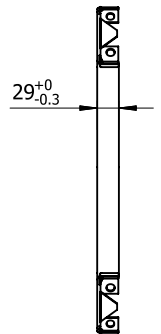
## TECHNICAL DRAWING 24x60" (49139)



Details :A

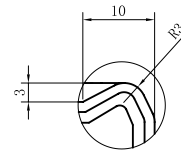
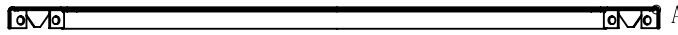
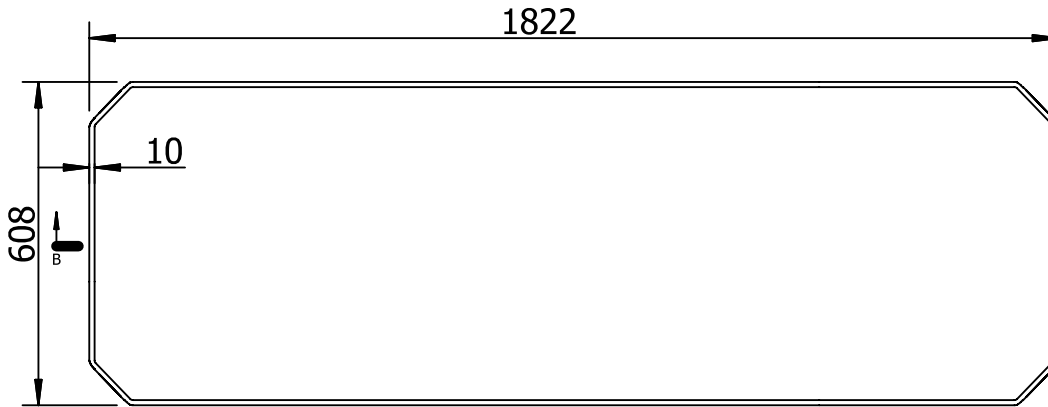


Thickness : 1.2

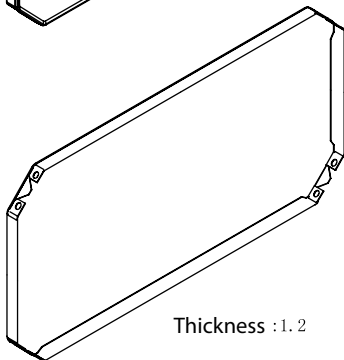
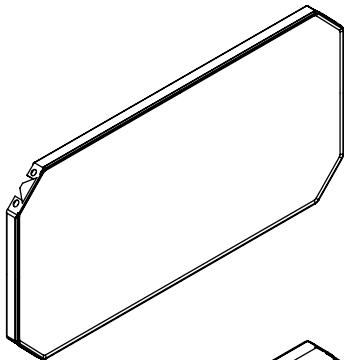


BMAD System (Low maintenance high performance). Dimensions rounded up to the nearest inch or millimeter. Specifications subject to change without notice.

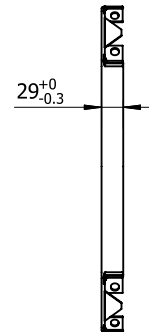
## TECHNICAL DRAWING 24x72" (49140)



Details : A



Thickness : 1.2



BMAD System (Low maintenance high performance). Dimensions rounded up to the nearest inch or millimeter. Specifications subject to change without notice.