



SERVING THE FOOD INDUSTRY SINCE 1951

Chrome Plated Wire Shelving Cart, 3 Tier with Double Handle

ITEM:

49141

49142



Light Weight and Convenient

Constructed from wire shelves, this stock cart is light and easy to move around on its sturdy casters. Three tiered arrangement makes for ample storage space.

Telephone: 1-800-465-0234

Fax: (905) 607-0234

Email: sales@omcan.com

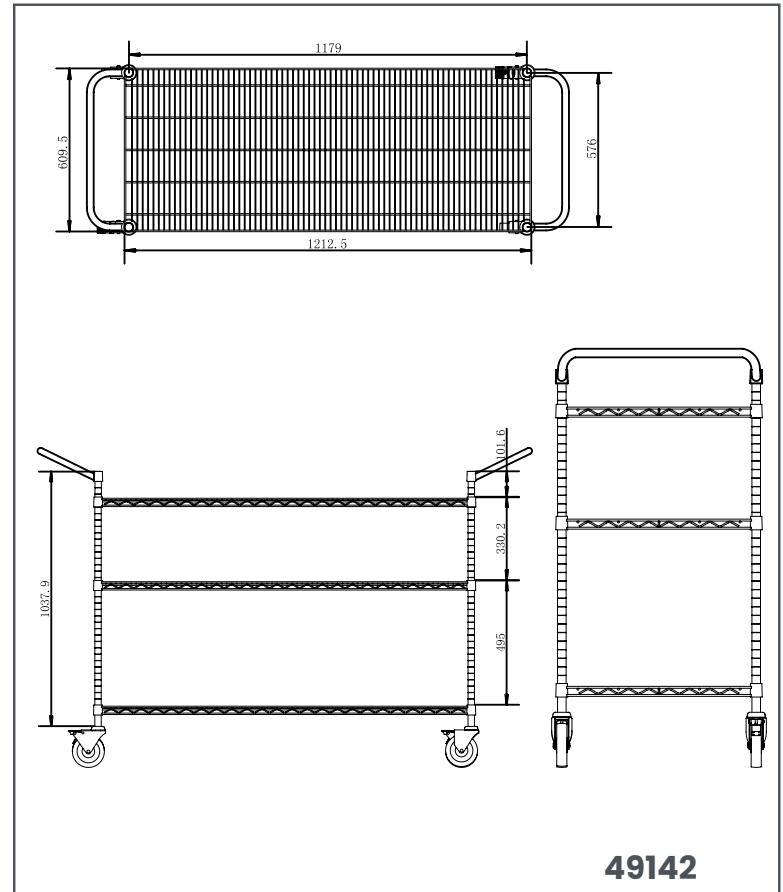
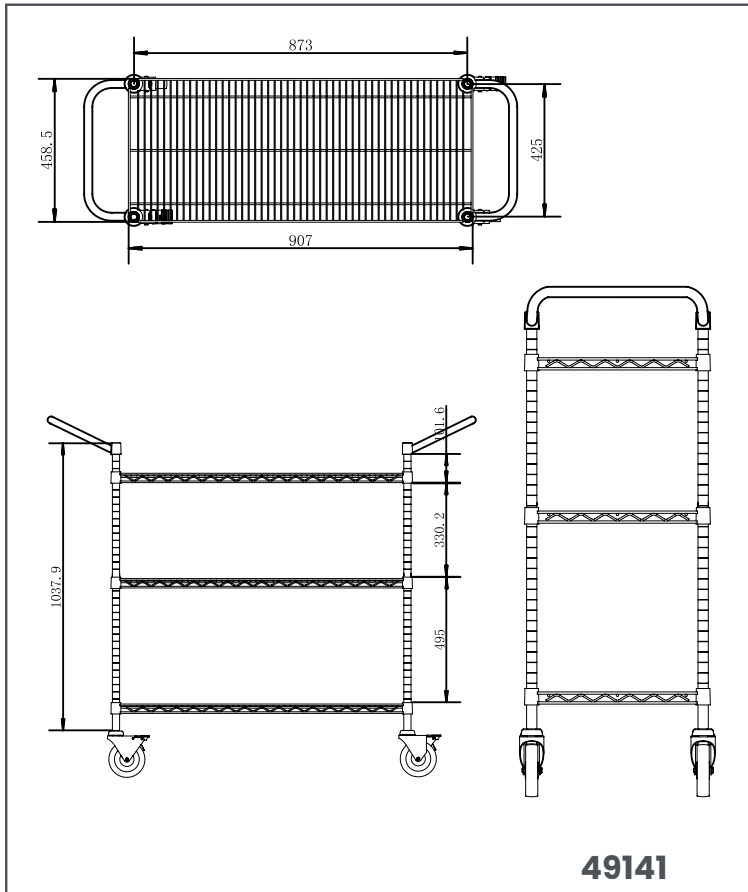
Website: www.omcan.com



Authorized Dealer



TECHNICAL DRAWING



TECHNICAL SPECIFICATION

Features	18" x 36"	24" x 48"
Item	49141	49142
Load Capacity	600 lb (272 kg.) / Layer	
Net Dimensions	18" x 40" x 49" (457 x 1016 x 1245 mm)	24" x 52" x 49" (610 x 1321 x 1245 mm)
Gross Dimensions	42" x 20" x 6" (1067 x 508 x 152 mm)	49" x 25" x 6" (1245 x 635 x 152 mm)
Net Weight	30 lb (13.6 kg.)	45 lb (20.4 kg.)
Gross Weight	33 lb (15 kg.)	49 lb (22.2 kg.)
Accessories	18" Push Handle: 49143	24" Push Handle: 49144

BMAD System (Low maintenance high performance). Dimensions rounded up to the nearest inch or millimeter. Specifications subject to change without notice.