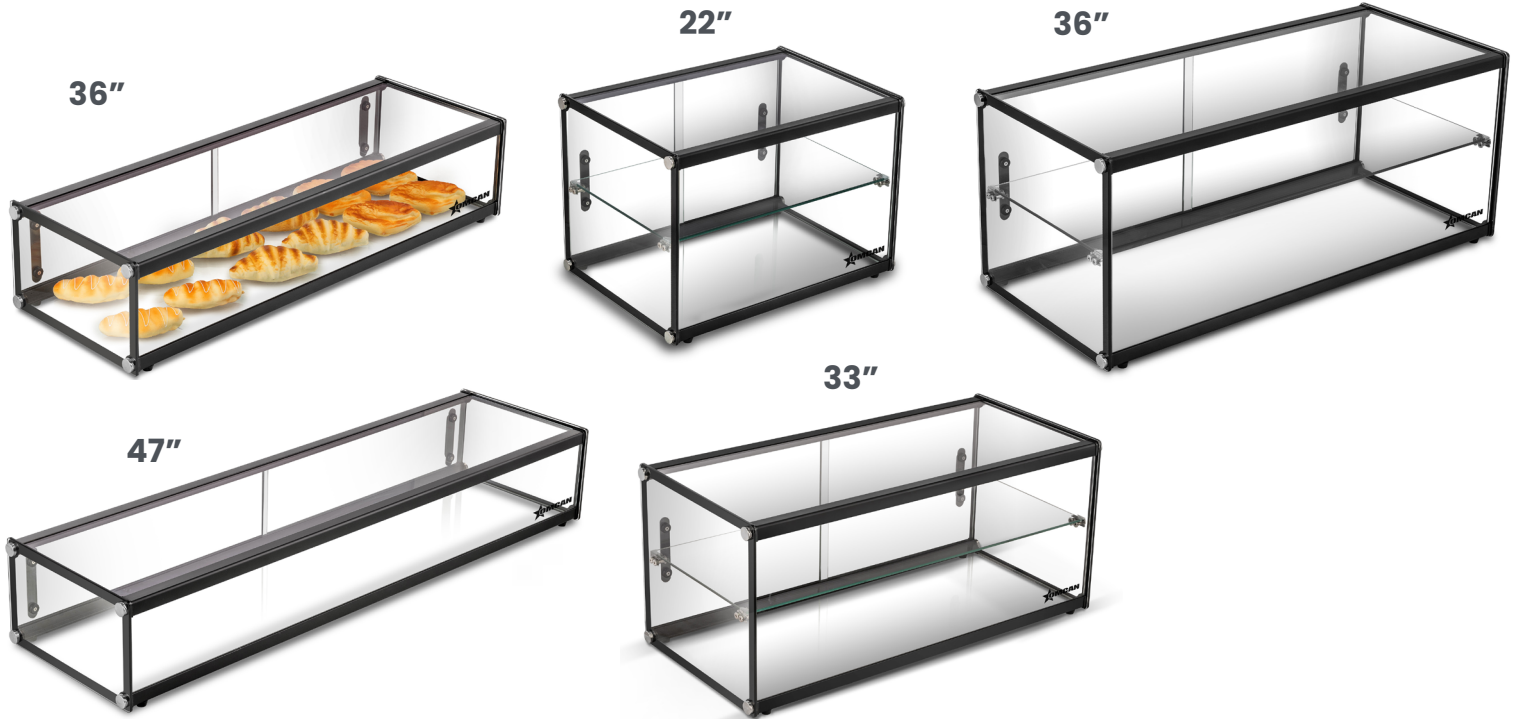




Serving the Food Industry Since 1951

Countertop Food Display Case , Glass with Black Trim

ITEM: 49196 36" 49197 47" 49198 22" 48859 33" 49199 36"



Sleek, Convenient, and Easy to Clean

With sleek appearance and a sturdy construction, these display cases are excellent for upscale cafes, bakeries, or other dried goods display. A smooth sliding rear glass door makes restocking and removing items easy. Lack of internal crevice make cleaning easy and sanitary.

- Smooth gliding rear door
- Luxurious design
- Tempered glass
- Sturdy construction

Telephone: 1-800-465-0234

Fax: (905) 607-0234

Email: sales@omcan.com

Website: www.omcan.com



Authorized Dealer



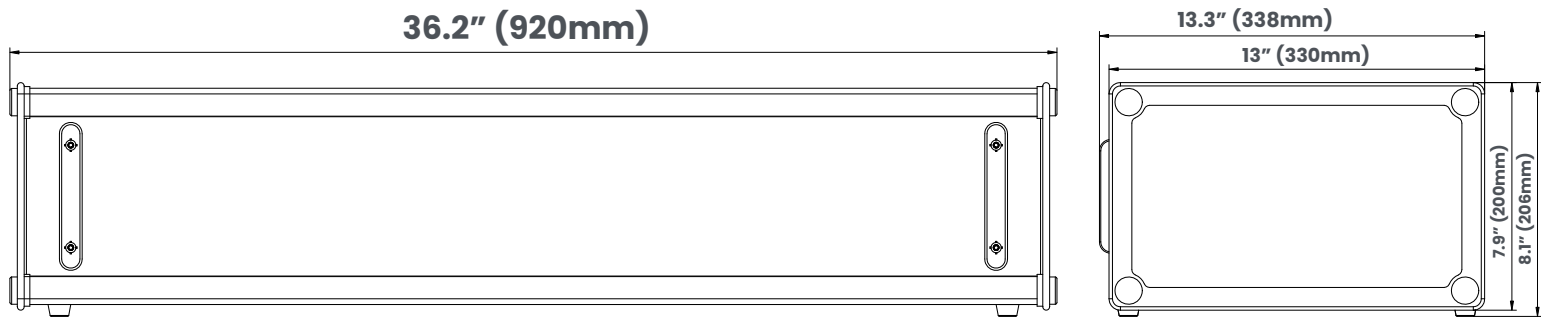
Made in China

TECHNICAL SPECIFICATION

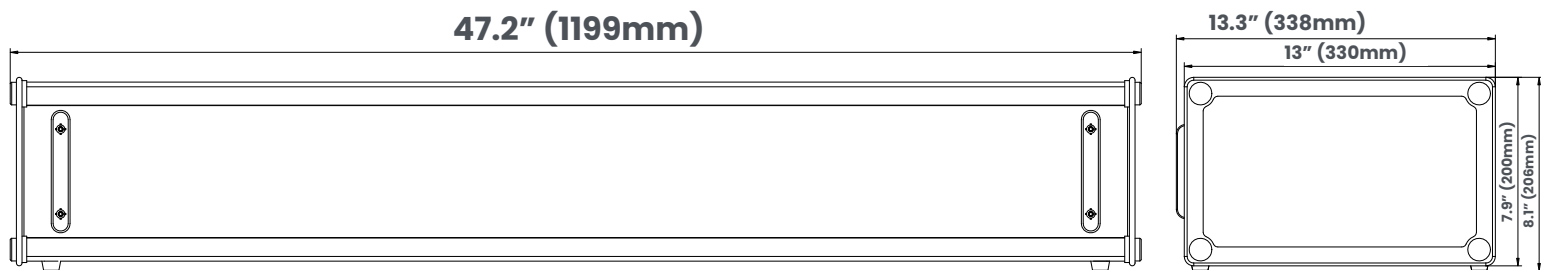
Features	36" 1 Level	47" 1 Level	22" 2 Levels	33" 2 Levels	36" 2 Levels
Item	49196	49197	49198	48859	49199
Shelves	-	-	1	1	1
Material	Tempered Glass				
Capacity	48 L	68 L	65 L	90 L	90 L
Net Dimensions (WDH)	36.2" x 13" x 7.9" (920 x 330 x 200 mm)	47.2" x 13" x 7.9" (1200 x 330 x 200 mm)	21.7" x 15.7" x 15" (550 x 398 x 381 mm)	32.6" x 15.5" x 14.4" (827 x 368 x 366 mm)	36.2" x 15.7" x 15" (920 x 398 x 381 mm)
Net Weight	32 lb (14.5 kg)	39.7 lb (18 kg)	37.5 lb (17 kg)	47.4 lb (21.5 kg)	57.3 lb (26 kg)

Dimensions rounded up to the nearest tenth inch or millimeter.
Specifications subject to change without notice.

TECHNICAL DRAWING (49196)

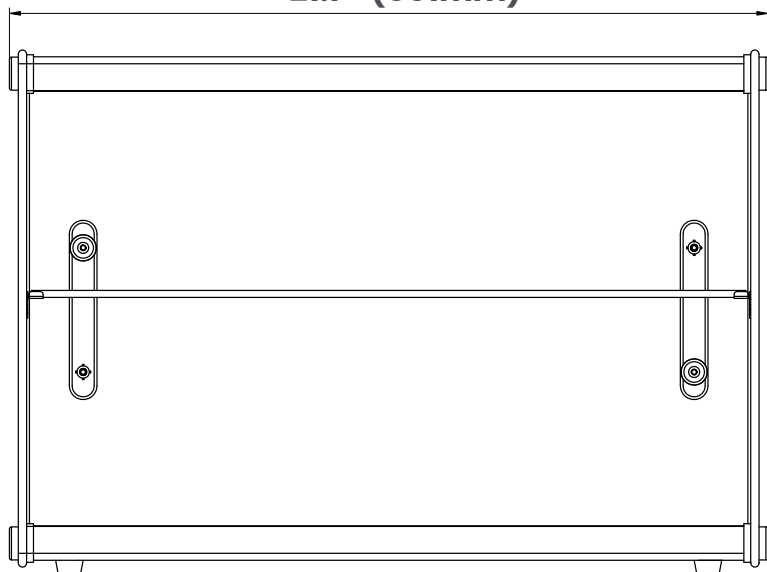


TECHNICAL DRAWING (49197)

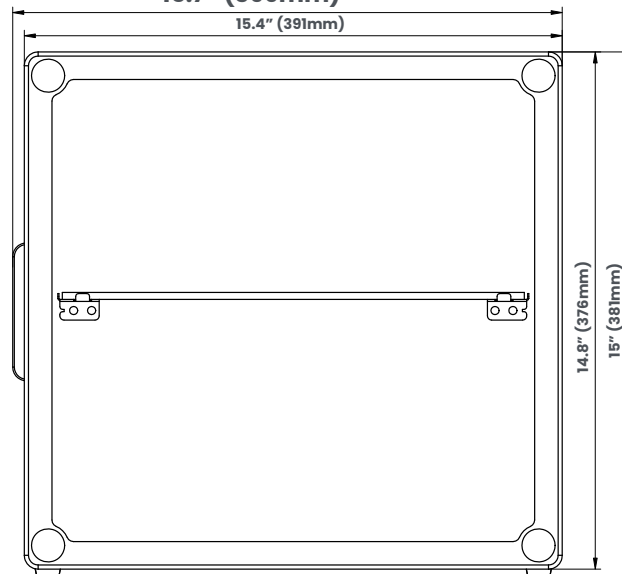


TECHNICAL DRAWING (49198)

21.7" (551mm)

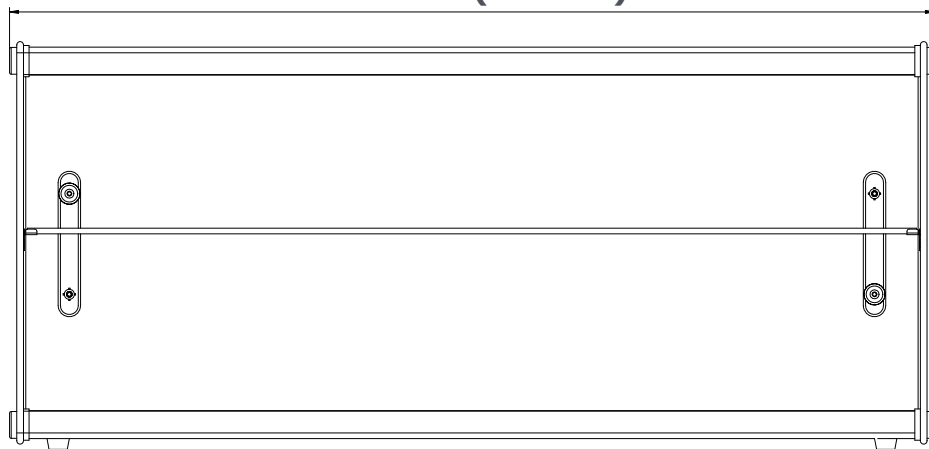


15.7" (399mm)

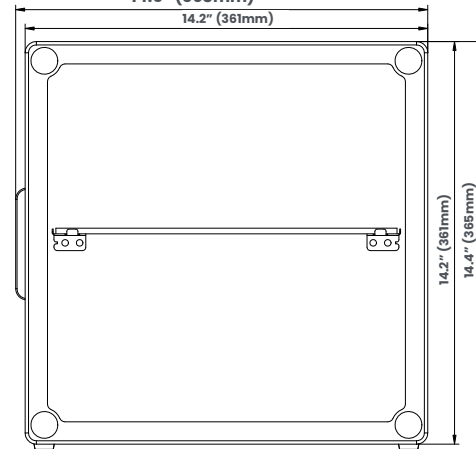


TECHNICAL DRAWING (48859)

32.6" (828mm)

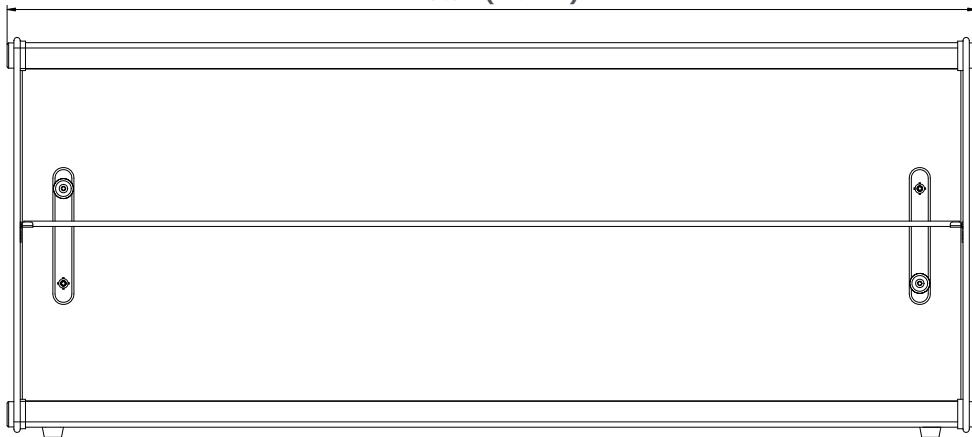


14.5" (368mm)



TECHNICAL DRAWING (49199)

36.2" (919mm)



15.7" (399mm)

