



Serving the Food Industry Since 1951

Corner Worktables with Backsplash & Undershelf

ITEM: 49215 49217

49217 (24")



49215 (30")



Durable, Convenient, and Easy to Clean

Built for efficiency and convenience, this durable work table fits perfectly into your corners to create a cohesive work surface as a part of a larger setup or standalone on its own.

- Stainless steel build
- Easy to clean
- Sturdy construction
- Galvanized undershelf and legs

Telephone: 1-800-465-0234

Fax: (905) 607-0234

Email: sales@omcan.com

Website: www.omcan.com



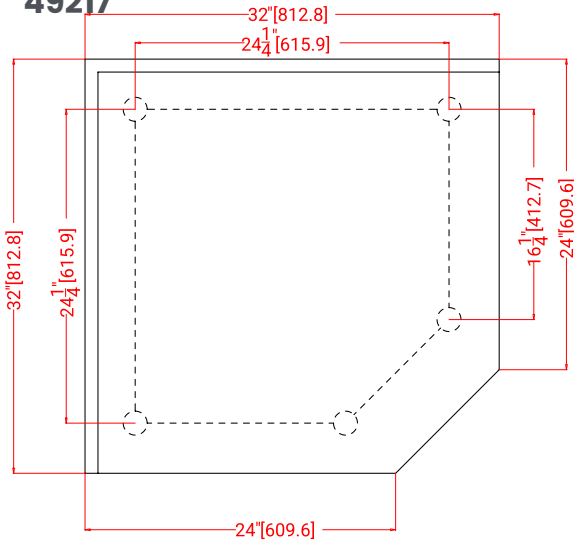
Authorized Dealer



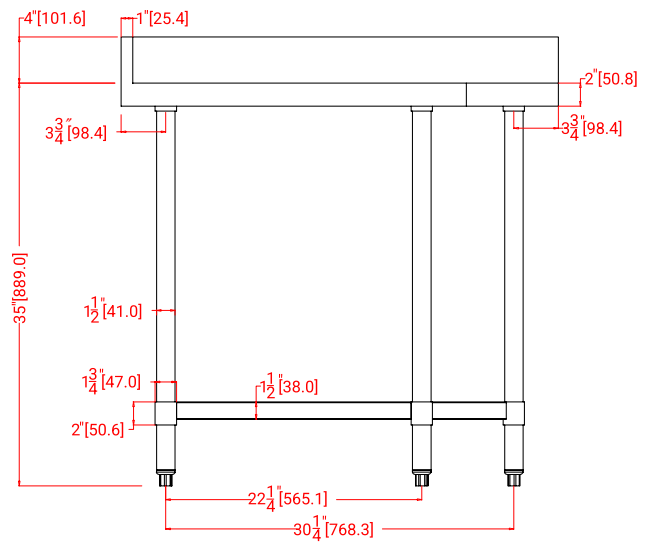
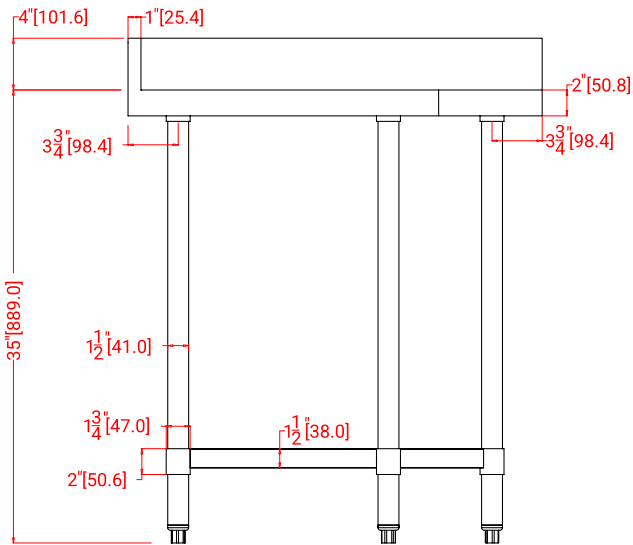
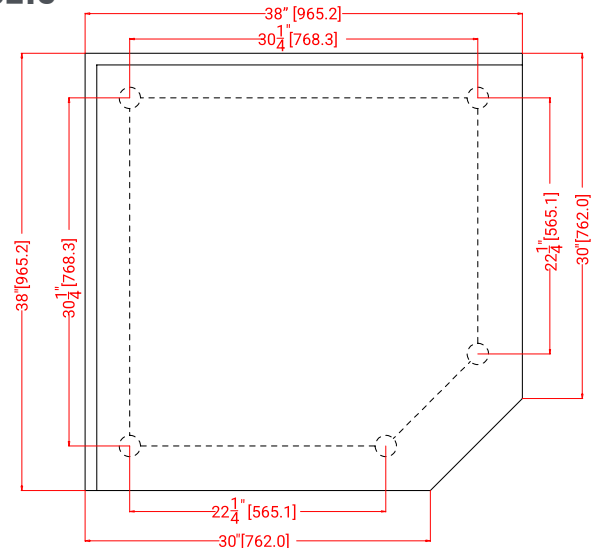
Made in China



49217



49215



TECHNICAL SPECIFICATION

Features	24"	30"
Item	49217	49215
Item Material	304 Stainless Steel	304 Stainless Steel
Load Capacity	600 lb (272 kg) - Shelf 363 lb (165 kg)	650 lb (295 kg) - Shelf 400 lb (180 kg)
Number of Shelves	1	1
Shelf Material	Galvanized Steel	Galvanized Steel
Casters	No	No
Adjustable Feet	Yes	Yes
Net Dimensions(WDH)	32" x 32" x 39" (813 x 813 x 991 mm)	38" x 38" x 38" (965 x 965 x 991 mm)
Net Weight	38.5 lb (17.5 kg)	43 lb (19.5 kg)

Dimensions rounded up to the nearest tenth inch or millimeter.
Specifications subject to change without notice.