



SERVING THE FOOD INDUSTRY SINCE 1951

50"/71"/84" Square Black Glass Refrigerated Double Duty Deli Case

ITEM: 50104
MODEL: RS-CN-0050D-BK

50106
RS-CN-0071D-BK

50108
RS-CN-0084D-BK



Attractive Display and Convenient Storage In One Unit

Perfect for anything from small coffee shops to large catering events, this unit is great for displaying your products in a modern, sleek frame and storing stock for replenishment in the conveniently located storage area.

FEATURES:

- **Durable Construction**

With a durable tempered glass front and full aluminum construction, this robust unit guarantees long lasting service and a long term investment

- **Attractive Display**

Crisp, clear LED lighting ensures all displayed items are clearly visible to passing customers and increase sales

- **Gravity Coil Refrigeration**

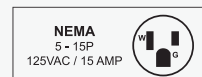
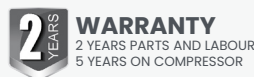
Without using circulating air, the gravity coil system ensures that stored items will not easily dry out. The R290 refrigerant used in this unit is not only efficient, but also environmentally friendly with 0 ozone depletion potential.

Telephone: 1-800-465-0234

Fax: (905) 607-0234

Email: sales@omcan.com

Website: www.omcan.com

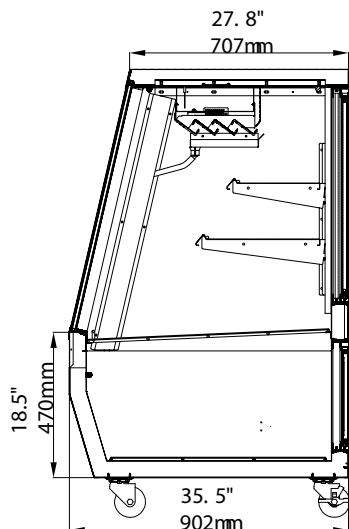
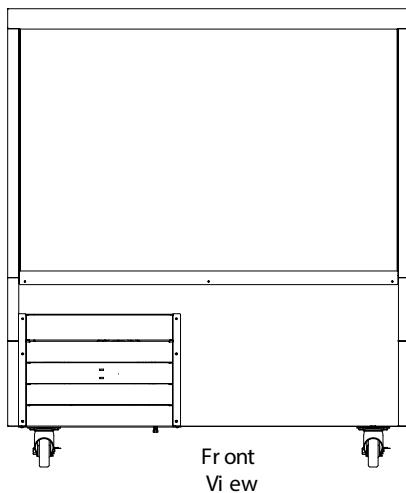
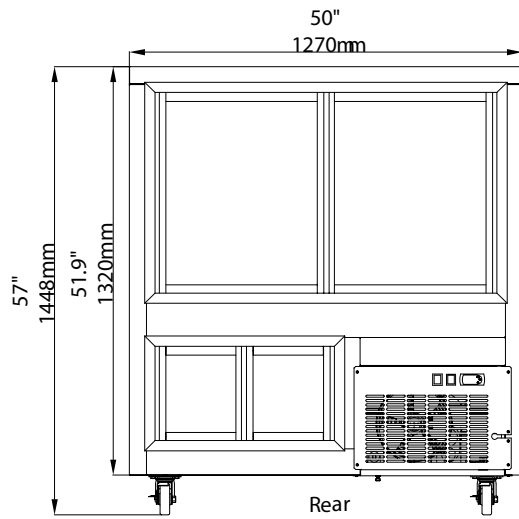


Authorized Dealer

DELI DISPLAY CASE (50")



TECHNICAL DRAWING



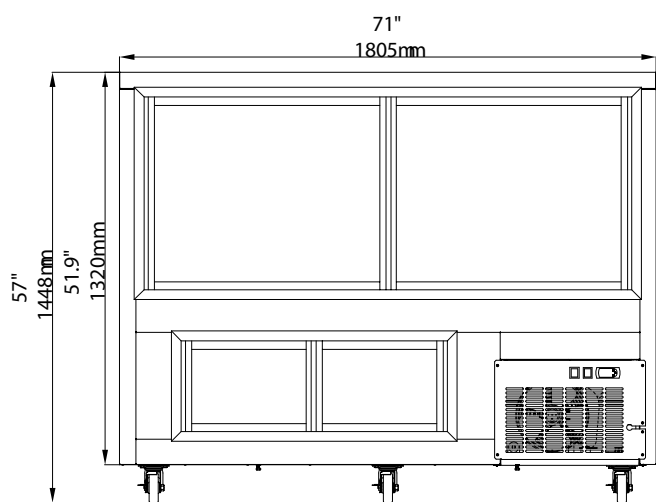
TECHNICAL SPECIFICATION

Item	50104
Model	RS-CN-0050D-BK
Capacity (Main)	20.58 cuft. (583 L)
Capacity (Storage)	6.14 cuft. (174 L)
Maximum Load	88lbs (40kg)
Number of Doors	2 Sliding Doors
Number of Shelves	3
Shelf Capacity	88lbs (40kg)
Shelf Size	Racks (2): 31" x 22" (785x555mm) Bottom Shelf (1): 28" x 24" (700x620mm)
Shelf Material	Galvanized Wire
Interior Material	Aluminum
Exterior Material	Aluminum / Tempered Glass
Number of Casters	4
Power	0.8HP (518W)
Amps	4.4 A
Electrical	115V / 60Hz / 1Ph
Temperature Controller	Digital
Temperature Range	33 to 40°F (0.55 to 4.4°C)
Refrigerant	R290
Max Ambient Temp	90°F (32°C)
Insulation Material	Polyurethane
Defrosting	Automatic
Cooling System	Gravity Coil
Interior Dimensions (WDH)	46" x 31" x 48" (1160 x 792 x 1210 mm)
Net Weight	309 lb. (140 kg.)
Net Dimensions (WDH)	50" x 36" x 57" (1270 x 902 x 1446mm)
Gross Weight	423 lb. (192 kg.)
Gross Dimensions (WDH)	55" x 41" x 60" (1400 x 1037 x 1525 mm)

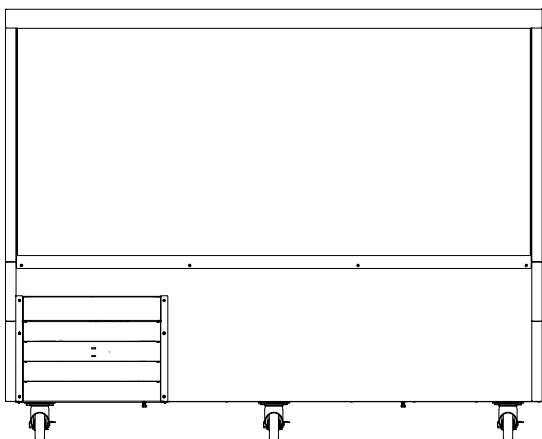
DELI DISPLAY CASE (71")



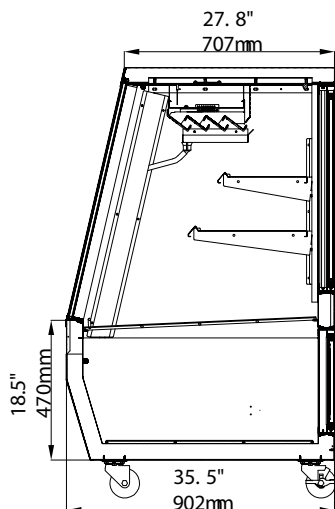
TECHNICAL DRAWING



Rear View



Front View



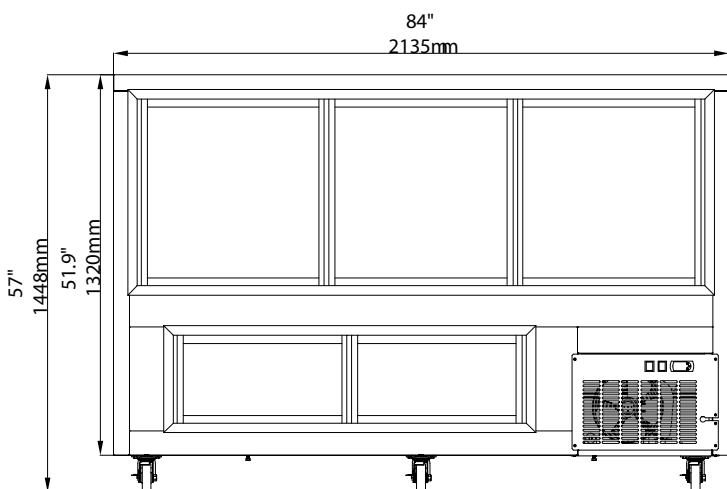
TECHNICAL SPECIFICATION

Item	50106
Model	RS-CN-0071D-BK
Capacity (Main)	30.06 cuft. (851 L)
Capacity (Storage)	11.31 cuft. (320 L)
Maximum Load	88lbs (40kg)
Number of Doors	2 Sliding Doors
Number of Shelves	5
Shelf Capacity	88lbs (40kg)
Shelf Size	Racks (3): 31" x 21" (785x545mm) Bottom Shelf (2): 28" x 23" (700x575mm)
Shelf Material	Galvanized Wire
Interior Material	Aluminum
Exterior Material	Aluminum / Tempered Glass
Number of Casters	6
Power	1HP (746 W)
Amps	7.3 A
Electrical	115V / 60Hz / 1Ph
Temperature Controller	Digital
Temperature Range	33 to 40°F (0.55 to 4.4°C)
Refrigerant	R290
Max Ambient Temp	90°F (32°C)
Insulation Material	Polyurethane
Defrosting	Automatic
Cooling System	Gravity Coil
Interior Dimensions (WDH)	67" x 31" x 48" (1695 x 792 x 1210 mm)
Net Weight	419 lb. (140 kg.)
Net Dimensions (WDH)	71" x 36" x 57" (1805 x 902 x 1446mm)
Gross Weight	562 lb. (192 kg.)
Gross Dimensions (WDH)	76" x 41" x 60" (1935 x 1037 x 1525 mm)

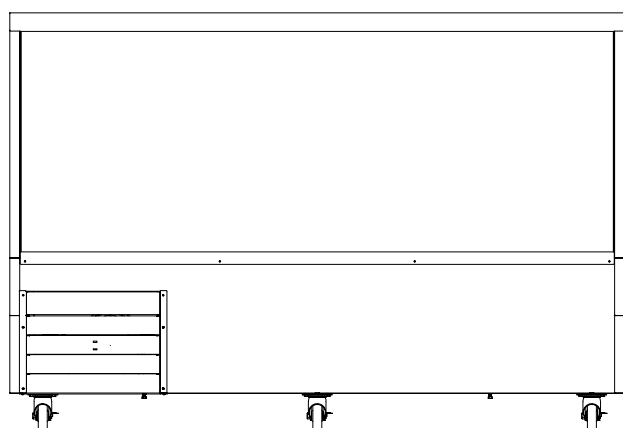
DELI DISPLAY CASE (84")



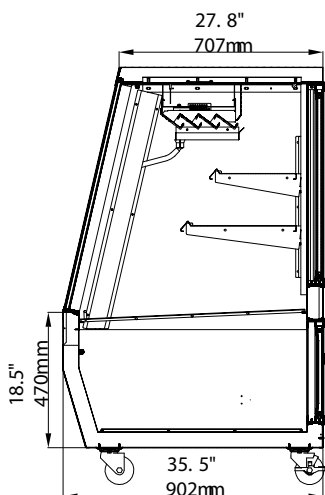
TECHNICAL DRAWING



Rear View



Front View



TECHNICAL SPECIFICATION

Item	50108
Model	RS-CN-0084D-BK
Capacity (Main)	35.92 cuft. (1017 L)
Capacity (Storage)	14.5 cuft. (410 L)
Maximum Load	88lbs (40kg)
Number of Doors	2 Sliding Doors
Number of Shelves	7
Shelf Capacity	88lbs (40kg)
Shelf Size	Racks (4): 31" x 19" (785x490mm) Bottom Shelf (3): 28" x 19" (700x490mm)
Shelf Material	Galvanized Wire
Interior Material	Aluminum
Exterior Material	Aluminum / Tempered Glass
Number of Casters	4
Power	1HP (746 W)
Amps	10.2 A
Electrical	115V / 60Hz / 1Ph
Temperature Controller	Digital
Temperature Range	33 to 40°F (0.55 to 4.4°C)
Refrigerant	R290
Max Ambient Temp	90°F (32°C)
Insulation Material	Polyurethane
Defrosting	Automatic
Cooling System	Gravity Coil
Interior Dimensions (WDH)	80" x 31" x 48" (2025 x 792 x 1210 mm)
Net Weight	485 lb. (220 kg.)
Net Dimensions (WDH)	84" x 36" x 57" (2135 x 902 x 1446mm)
Gross Weight	657 lb. (298 kg.)
Gross Dimensions (WDH)	89" x 41" x 60" (2265 x 1037 x 1525 mm)