



SERVING THE FOOD INDUSTRY SINCE 1951

Glass Froster & Plate Chiller 36" Black 115V/60/1 cETLus ETL Sanitation

ITEM: 50113
MODEL: FR-CN-0915-PC



Efficient chilling for glassware and plates

Provides ample space to cool salad plates and chill drink glasses. Frosted glasses enable drinks to stay cool for longer, and chilled plates prevent vegetables from wilting too soon.

FEATURES:

- 8.5 cubic feet of space provides ample space for many plates and glassware.
- Stainless steel sliding door allows easy access, and comes with a lock to prevent tampering.
- Digital temperature controller makes setting adjustments easy, and allows you to keep an eye on the unit's internal temperature
- 5 interior shelves allow maximum utilization of interior space.

Telephone: 1-800-465-0234

Fax: (905) 607-0234

Email: sales@omcan.com

Website: www.omcan.com



Authorized Dealer



WARRANTY
PARTS AND LABOUR

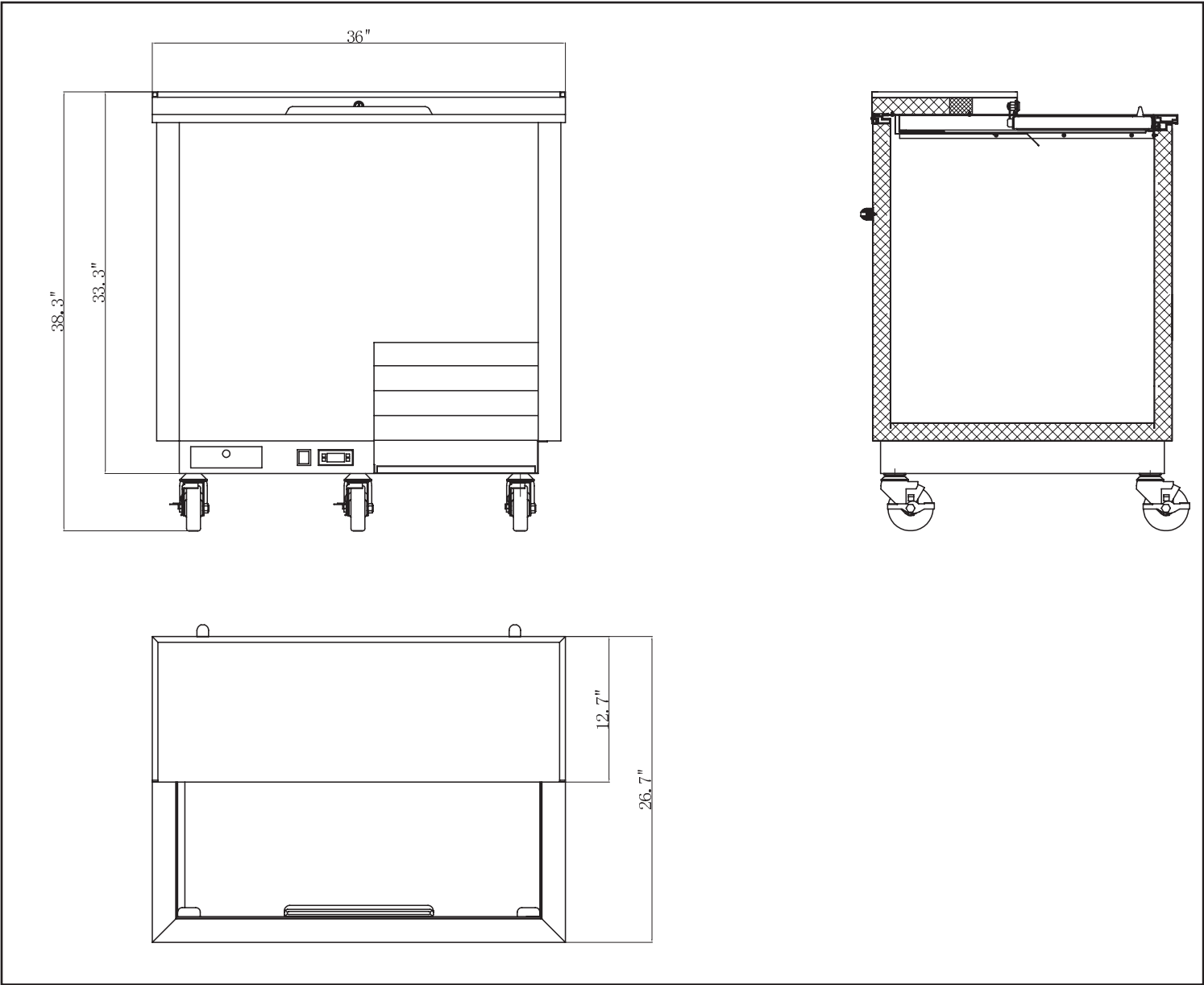


TECHNICAL SPECIFICATION

Item	50113
Model	FR-CN-0915-PC
Capacity	8.5 cu. ft. (240L)
Maximum Load	88 lbs. (40 kg)
Number of Doors	1 Top Sliding Door
Number of Casters	4
Number of Shelves	5
Shelf Material	Plastic Coated
Power	280W
Amps	3.3A
Electrical	115V / 60Hz / 1Ph
Temperature Controller	Digital
Temperature Range	-17 to -13 °C (0 to 7 °F)
Refrigerant	R290
Insulation Material	Cyclopentane
Defrosting	Automatic
Cooling System	Ventilated
Interior Dimensions (WDH)	32" x 23" x 26" (811 x 583 x 662 mm)
Net Weight	158 lbs. (71.6 kg)
Net Dimensions (WDH)	36" x 26.6" x 34" (915 x 677 x 869 mm)
Gross Weight	198 lbs. (90 kg)
Gross Dimensions (WDH)	41.5" x 32.6" x 41.7" (1055 x 830 x 1060 mm)

BMAD System (Low maintenance high performance). Dimensions rounded up to the nearest inch or millimeter. Specifications subject to change without notice.

TECHNICAL DRAWING



BMAD System (Low maintenance high performance). Dimensions rounded up to the nearest inch or millimeter. Specifications subject to change without notice.