



SERVING THE FOOD INDUSTRY SINCE 1951

ICE MAKER

Item:	47483	47484
	47773	47774
	47485	46452



KEY FEATURES

- Easy installation that requires minimal tools and time to set up the machine.
- Efficient ice production ensures a steady supply of ice to meet the business demands.
- Intuitively designed control panel featuring a digital display allows controlling power, ice thickness, cube size, and cleaning cycles.
- Easy maintenance and cleaning help keep the unit in optimal condition.
- Adjustable feet offers an ability to customize the height and level of the appliance to suit the surrounding environment.

Telephone: 1-800-465-0234

Fax: (905) 607-0234

Email: sales@omcan.com

Website: www.omcan.com



Authorized Dealer

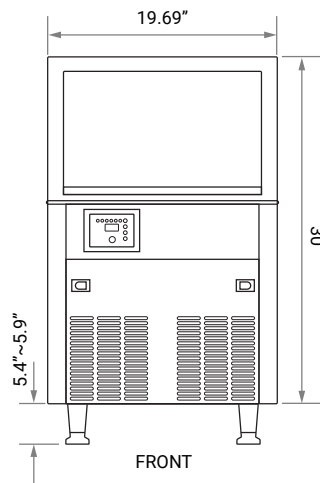


SPECIFICATION

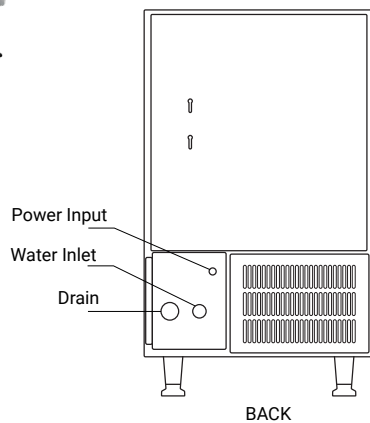
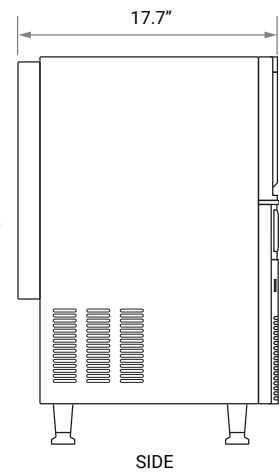
	47773	47483
Model	IC-CN-0089S	IC-CN-0129S
Power	350 W	446 W
Max Bin Capacity	33.1 lbs / 15 kg	39.7 lbs / 18 kg
Max Production Per Day	79.4 lbs / 36 kg	121.3 lbs / 55 kg
Electrical	115V / 60Hz / 1Ph	
Ice Shape	Half Cube 13 x 22 x 22 3/32 - Full Cube: 22 x 22 x 22 mm	
Max Ambient Temperature	5 - 40°C / 41 - 104°F	
Condenser Unit	Air	
Refrigerant	R290	
Net Weight	79.4 lbs / 36 kg	99.2 lbs / 45 kg
Gross Weight	88.2 lbs / 40 kg	110.2 lbs / 50 kg
Net Dimensions (WDH)	19.7" x 17.7" x 35.4" / 500 x 450 x 900 mm	19.7" x 23.2" x 35.4" / 500 x 590 x 900 mm
Gross Dimensions (WDH)	22.8" x 20.9" x 32.9" / 580 x 530 x 835 mm	22.8" x 26.4" x 32.9" / 580 x 670 x 835 mm

TECHNICAL DRAWING

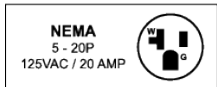
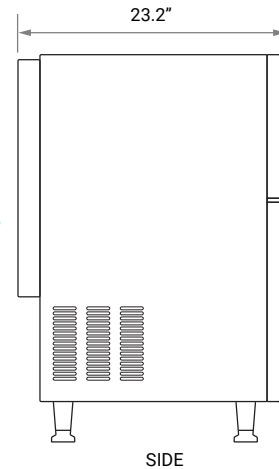
(Measurements in diagrams are in inches)



47773



47483

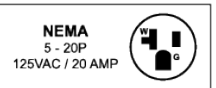


SPECIFICATION

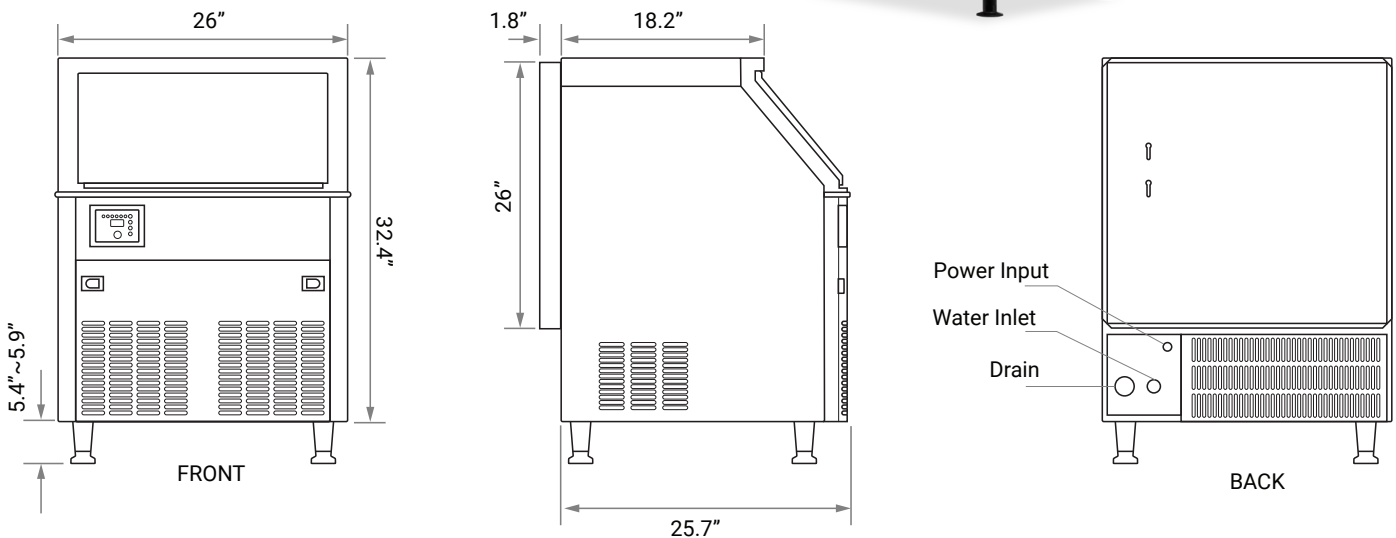
	47484	47774
Model	IC-CN-0219S	IC-CN-0289S
Power	526 W	726 W
Max Bin Capacity	79.4 lbs / 36 kg	79.4 lbs / 36 kg
Max Production Per Day	209.4 lbs / 95 kg	280 lbs / 127 kg
Electrical	115V / 60Hz / 1Ph	
Ice Shape	Half Cube 13 x 22 x 22 3/32 - Full Cube: 22 x 22 x 22 mm	
Max Ambient Temperature	5 - 40°C / 41 - 104°F	
Condenser Unit	Air	
Refrigerant	R290	
Net Weight	127.9 lbs / 58 kg	132.3 lbs / 60 kg
Gross Weight	145.5 lbs / 66 kg	147.7 lbs / 67 kg
Net Dimensions (WDH)	26" x 27" x 38.2" / 660 x 685 x 970 mm	26" x 27" x 38.2" / 660 x 685 x 970 mm
Gross Dimensions (WDH)	30.7" x 29.3" x 35.4" / 780 x 745 x 900 mm	30.7" x 29.3" x 35.4" / 780 x 745 x 900 mm

TECHNICAL DRAWING

(Measurements in diagrams are in inches)



47484 / 47774

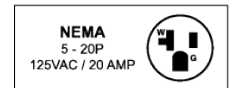
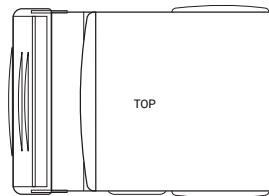


SPECIFICATION

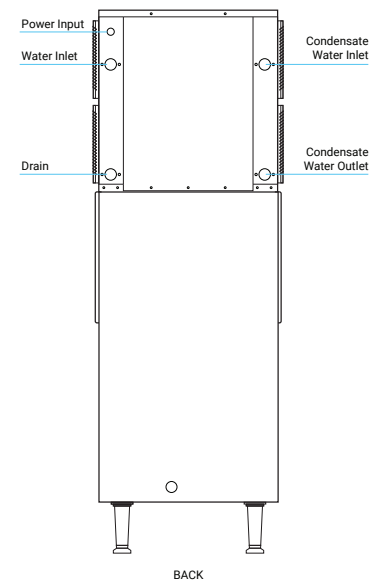
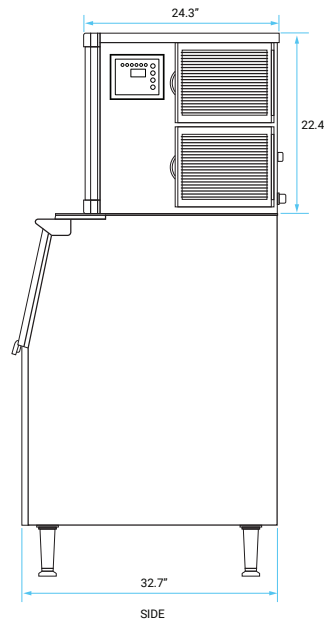
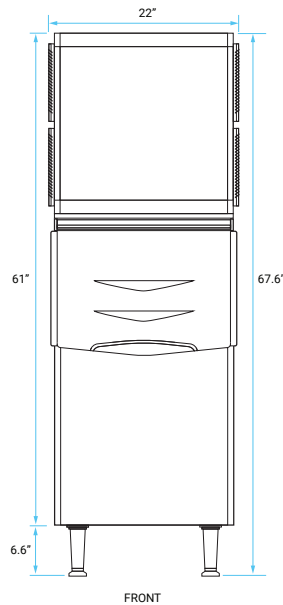
	47485	46452
Model	IC-CN-0329	IC-CN-0529
Power	790 W	1113 W
Max Bin Capacity	275 lbs / 125 kg	375 lbs / 170 kg
Max Production Per Day	350 lbs / 160 kg	500 lbs / 225 kg
Electrical	115V / 60Hz / 1Ph	
Ice Shape	Half Cube 13 x 22 x 22 3/32 - Full Cube: 22 x 22 x 22 mm	
Max Ambient Temperature	5 - 40°C / 41 - 104°F	
Condenser Unit	Air	
Refrigerant	R290	
Net Weight	Machine: 110.2 lbs / 50 kg - Bin: 77.2 lbs / 35 kg	Machine: 65 kg - Bin: 45 kg
Gross Weight	Machine: 119 lbs / 54 kg - Bin: 88.2 lbs / 40 kg	Machine: 70 kg - Bin: 50 kg
Machine Head (WDH)	22" x 24.3" x 22.4" / 560 x 618 x 568 mm	29.9" x 24" x 22" / 760 x 618 x 568 mm
Ice Bin (WDH)	22" x 32.7" x 45.3" / 560 x 830 x 1150 mm	29.9" x 32.7" x 45" / 760 x 830 x 1150 mm
Net Dimensions (WDH)	22" x 32.7" x 67.6" / 560 x 830 x 1718 mm	29.9" x 32.7" x 67.6" / 760 x 830 x 1718 mm
Packaging Dimensions (WDH)	Machine: 25.8" x 29.5" x 24.4" / 655 x 750 x 620 mm Bin: 25.4" x 35" x 41.5" / 645 x 890 x 1055 mm	Machine: 33" x 29.5" x 24" / 845 x 750 x 620 mm Bin: 33.4" x 35" x 41.5" / 850 x 890 x 1055 mm

TECHNICAL DRAWING

(Measurements in diagrams are in inches)



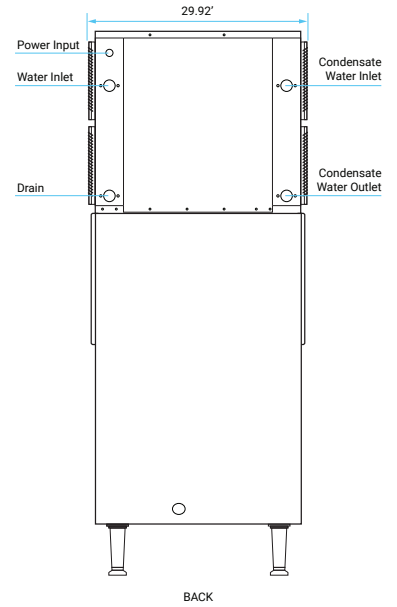
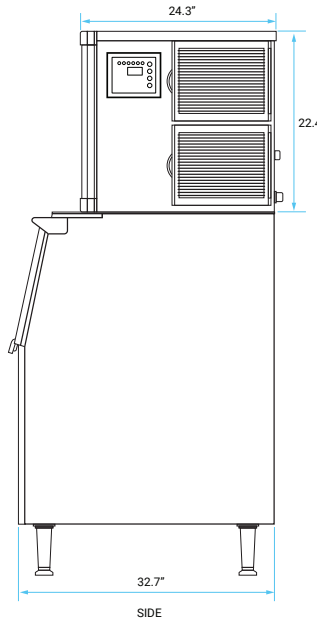
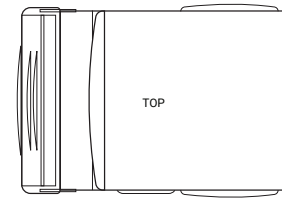
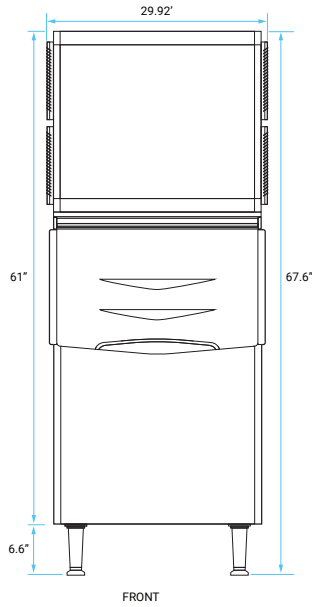
47485



TECHNICAL DRAWING

(Measurements in diagrams are in inches)

46452



• Digital display



• Large capacity storage



• Adjustable feet



• Full cube/ half cube ice