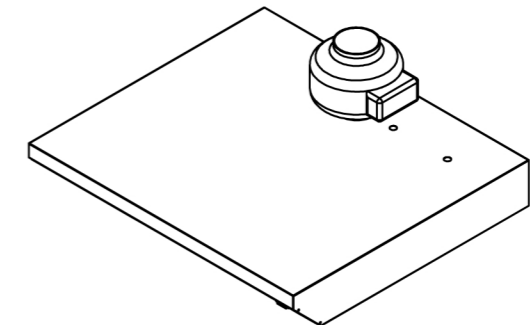
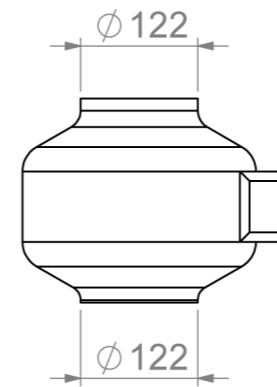
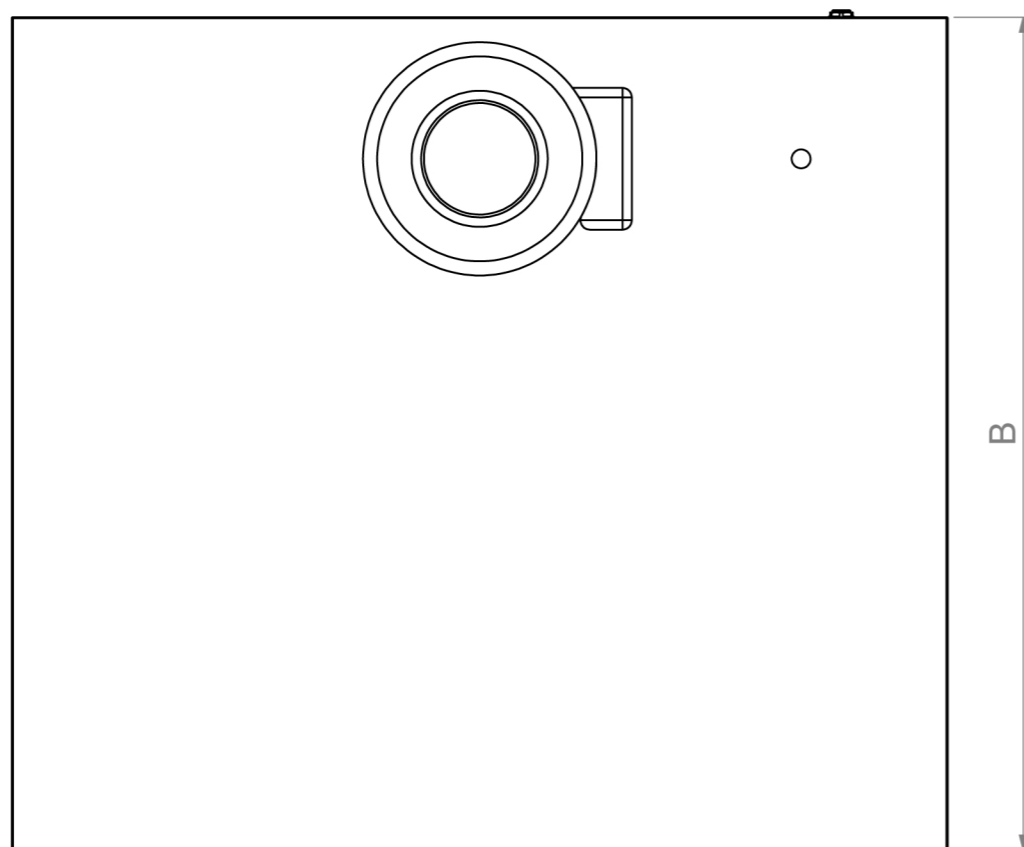


C = Height of the hood only
 D = Height of the hood with the optional suction motor (by request)



DIMENSIONS FOR STAINLESS STEEL HOOD					
ITEM NO.	A (mm)	B (mm)	C (mm)	D (mm)	Net Weight (Kg)
41607	990	882	149	363	10

Net weight refers to the weight of the single hood, not with the weight of the machine.