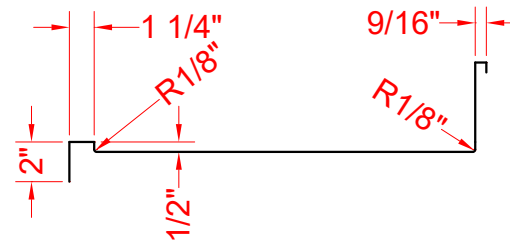
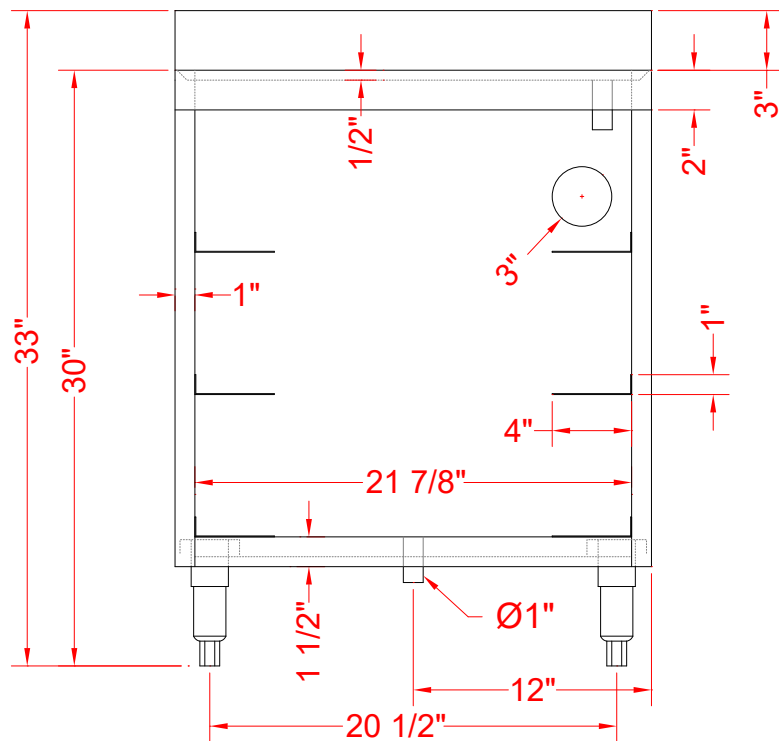
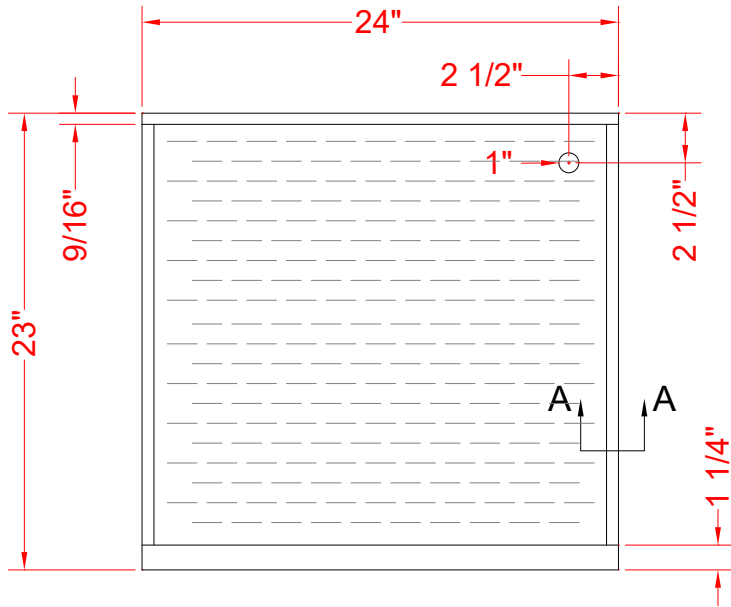


Item 44596



Panel Bending Diagram

