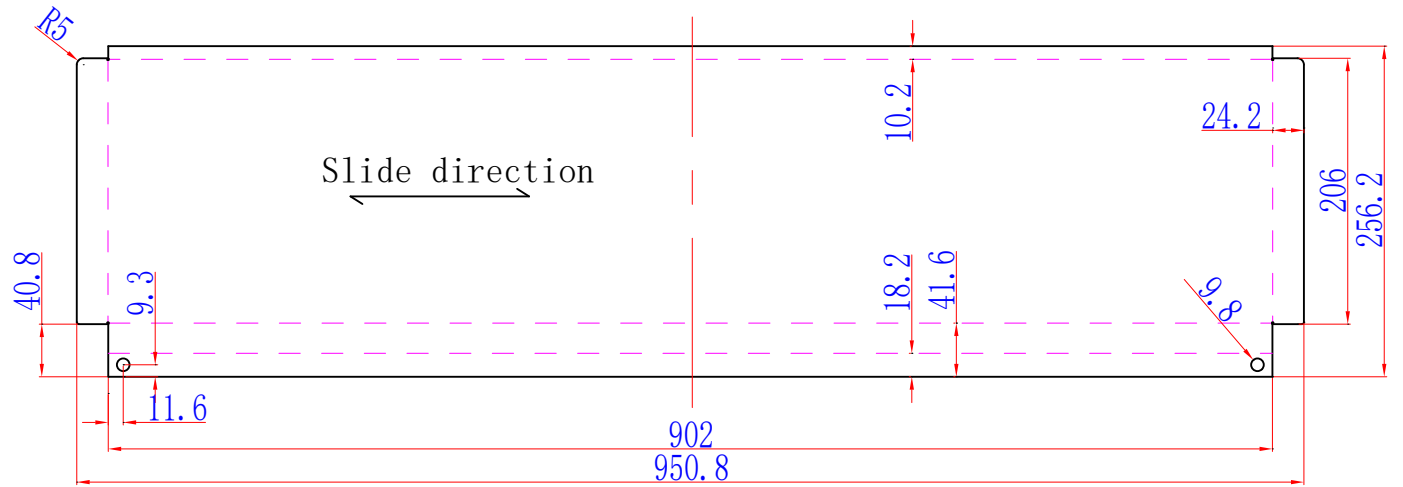
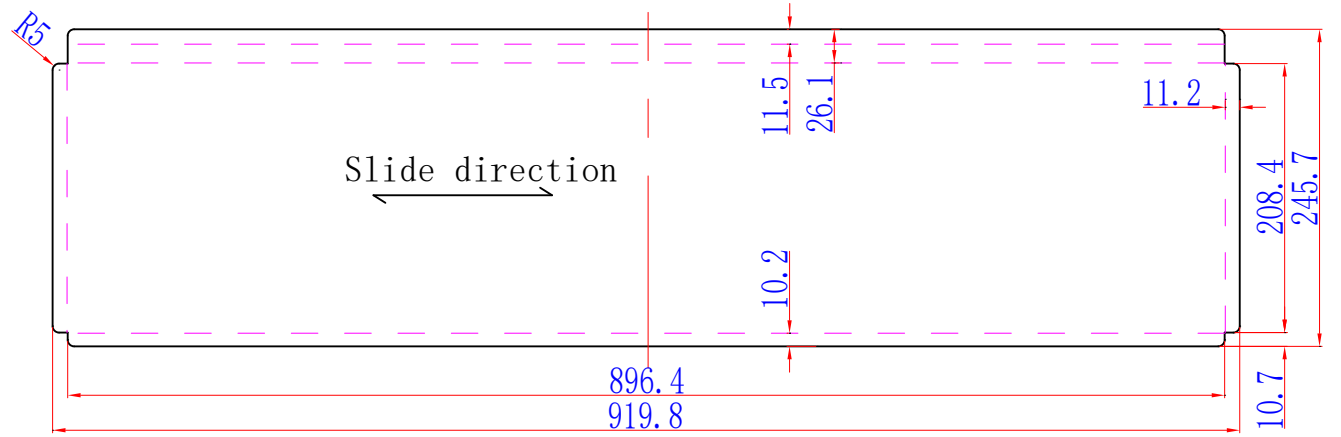
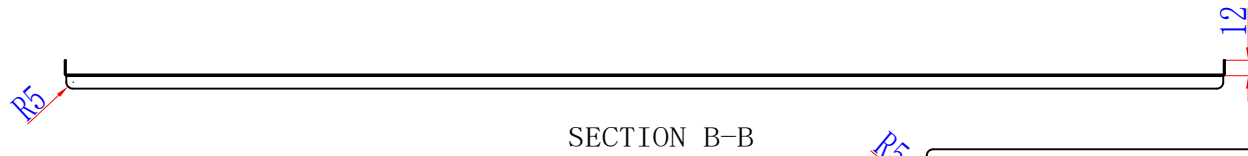
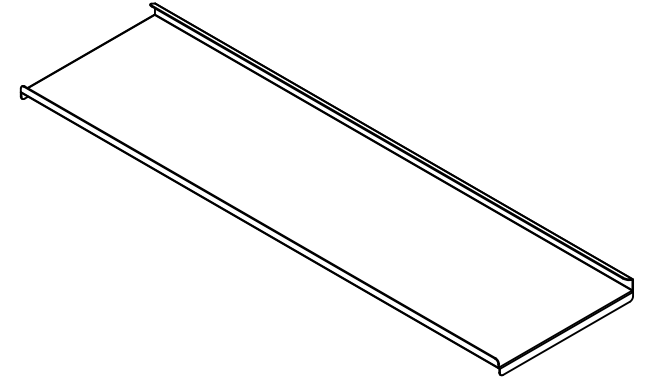
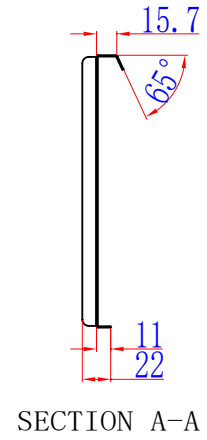
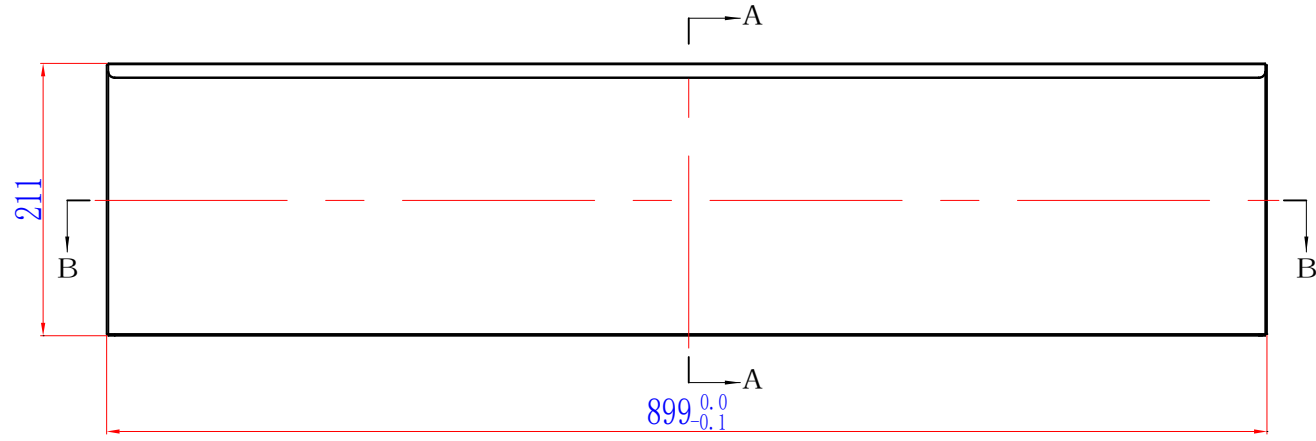


SECTION B-B



Expanded View

**Item 44623**



Expanded View

**Item 44623**