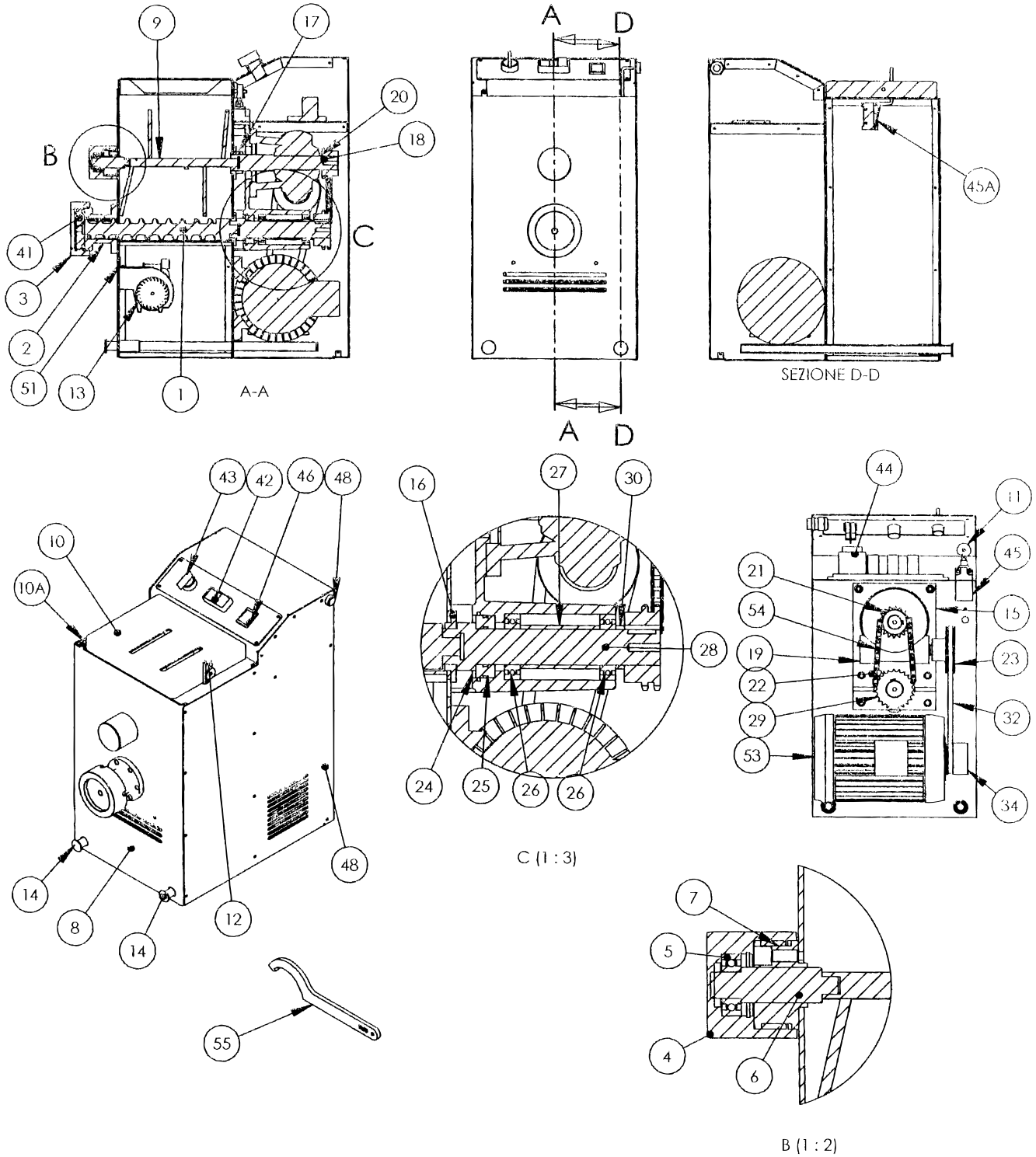


Parts Breakdown

Model PM-IT-0012E 49117



Parts Breakdown

Model PM-IT-0012E 49117

Item No.	Description	Position	Item No.	Description	Position	Item No.	Description	Position
AK938	Auger for 49117	1	AK953	Movement Plate for 49117	15	AK968	Spacer for 49117	30
AK939	Sleeve for 49117	2	AK954	Ralla for 49117	16	AK969	Belt SPZ612 for 49117	32
AK940	Nut for 49117	3	AK955	Ring for 49117	17	AK970	Motor Pulley for 49117	34
AK941	Mobile Support for Mixer for 49117	4	AK956	Upper Shaft for 49117	18	AK971	Cap for Sleeve for 49117	41
AK942	Bearing 62202 2RS for 49117	5	AK957	Adapter VF49 for 49117	19	AK972	Start-Stop Button for 49117	42
AK943	Mobile Pin for Mixer for 49117	6	AK958	Spacer for 49117	20	AK973	Inverter for 49117	43
AK944	Fixed Support for 49117	7	AK959	Double Pinion Z=18 3/8 for 49117	21	AK974	Complete Electrical System for 49117	44
AK945	Basin for 49117	8	AK960	Greaser for 49117	22	AK975	Micro Lace FR 515 for 49117	45
AK946	Mixer for 49117	9	AK961	Reducer Pulley for 49117	23	AK976	Microswitch MS30 for 49117	45A
AK947	Cover for 49117	10	AK962	Lamellar Rings for 49117	24	AK977	Start-Stop Fan Button for 49117	46
AK948	Cover Shaft for 49117	10A	AK963	Bearing 51206 for 49117	25	AK978	Cable Gland for 49117	47
AK949	Cam for 49117	11	AK964	Bearing 6006 2RS for 49117	26	AK979	Fan Bracket for 49117	51
AK950	Handle for 49117	12	AK965	Spacer for 49117	27	AK980	Motor for 49117	53
AK951	Fan for 49117	13	AK966	Lower Shaft for 49117	28	AK981	Roller Chain and Joint 3/8 for 49117	54
AK952	Sieve Holder Rod for 49117	14	AK967	Double Pinion Z=23 3/8 for 49117	29	AK982	Fixing Key for Ring Nut for 49117	55