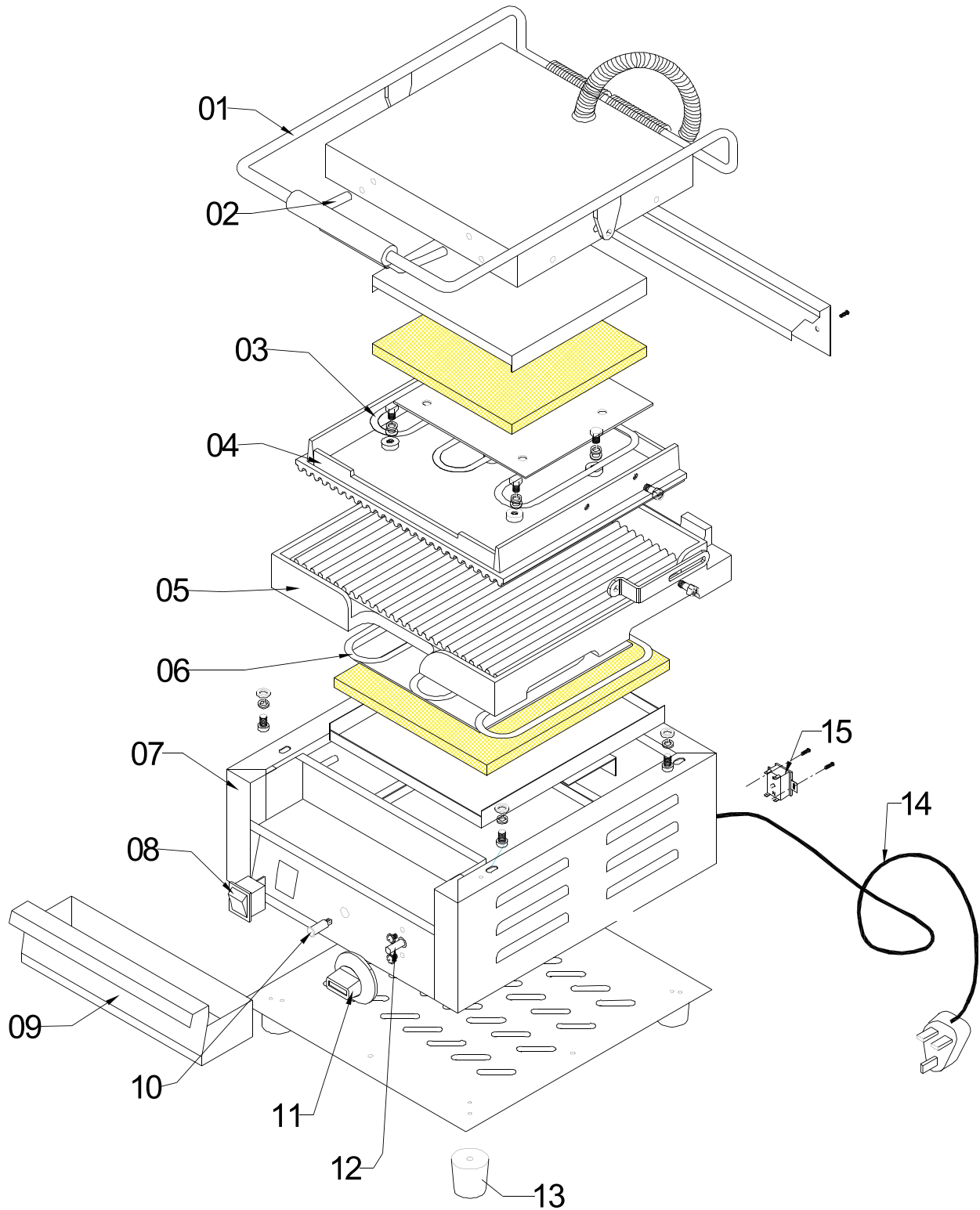


# Parts Breakdown

Model PG-CN-0679-R 19936





# Parts Breakdown

---

## Model PG-CN-0679-R 19936

Item No.	Description	Position	Item No.	Description	Position	Item No.	Description	Position
20321	Big Handle for 19936	01	20327	Body for 19936	07	20317	Foot for 19936	13
20322	Small Handle for 19936	02	20351	On/Off Switch for 19936	08	20334	Plug and Lead for 19936	14
20323	Top Element for 19936	03	20329	Oil Tray for 19936	09	20335	Thermo Cut Out for 19936	15
20324	Top Cast Iron for 19936	04	20330	Indicator Light for 19936	10	20336	Wire for 19936	16
20325	Bottom Cast Iron for 19936	05	20331	Dial for 19936	11			
20326	Bottom Element for 19936	06	20347	Thermostat for 19936	12			