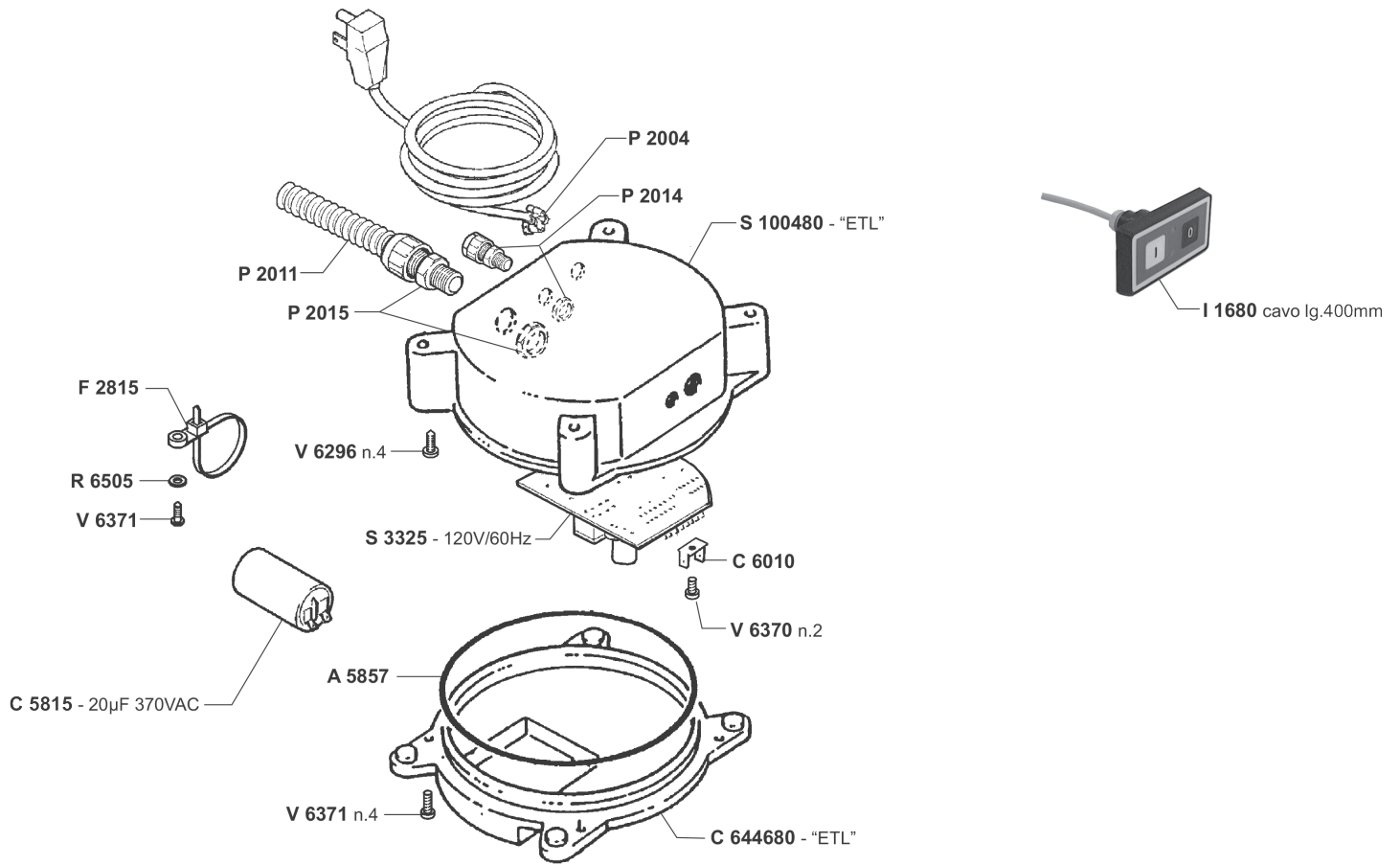


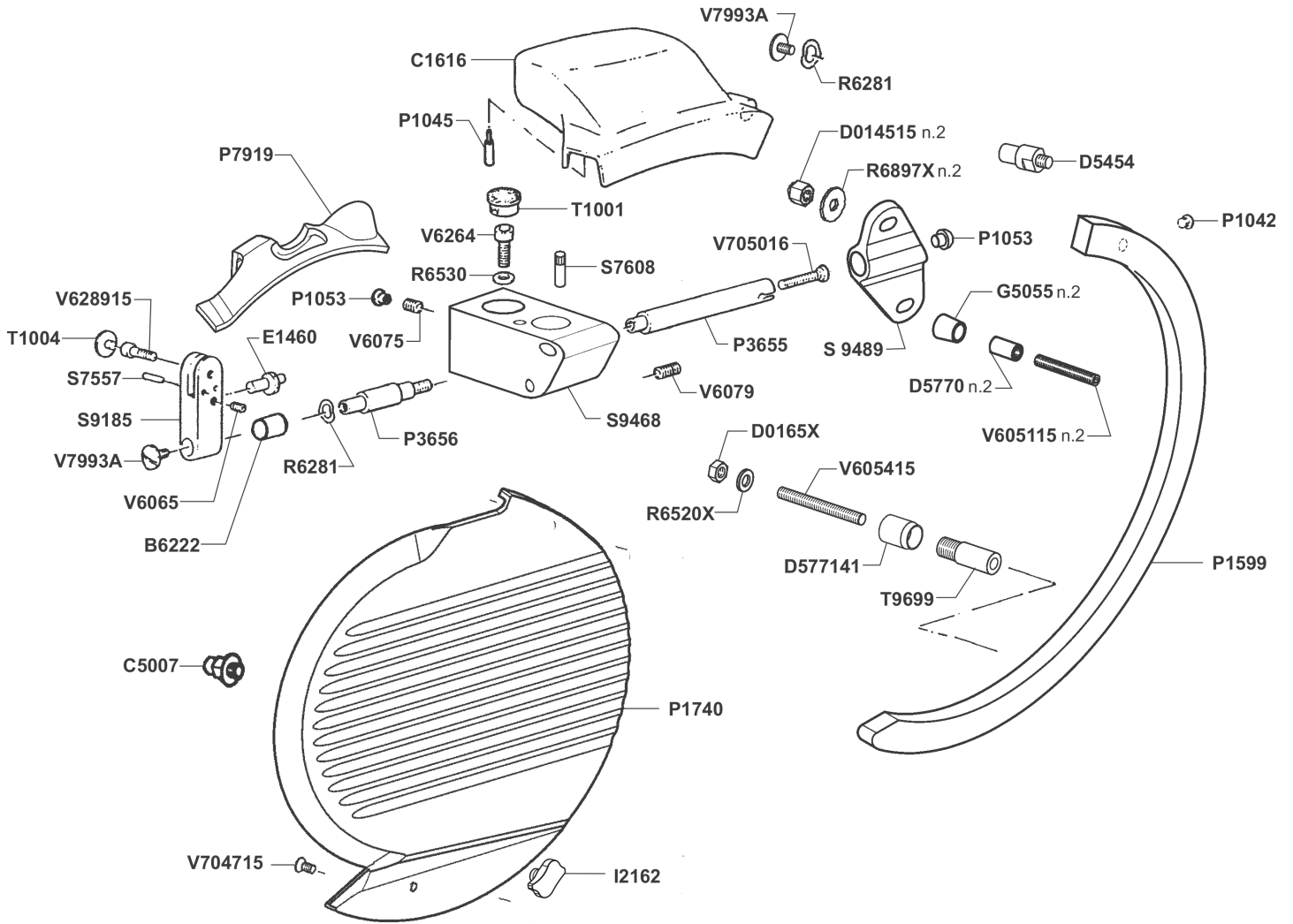
PARTS BREAKDOWN

ITEM	MODEL
38915	MS-IT-0370-H



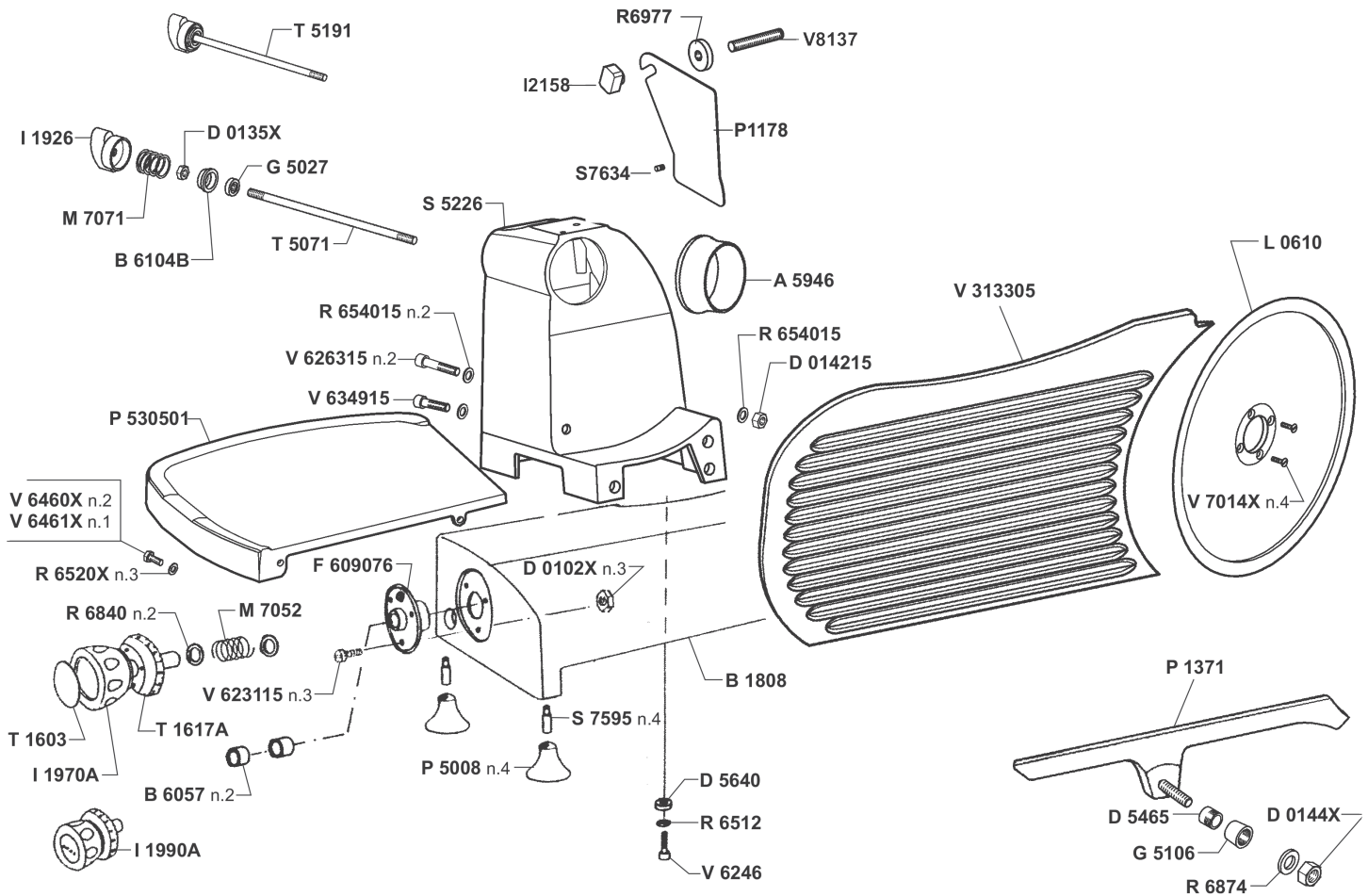
PARTS BREAKDOWN

ITEM	MODEL
38915	MS-IT-0370-H



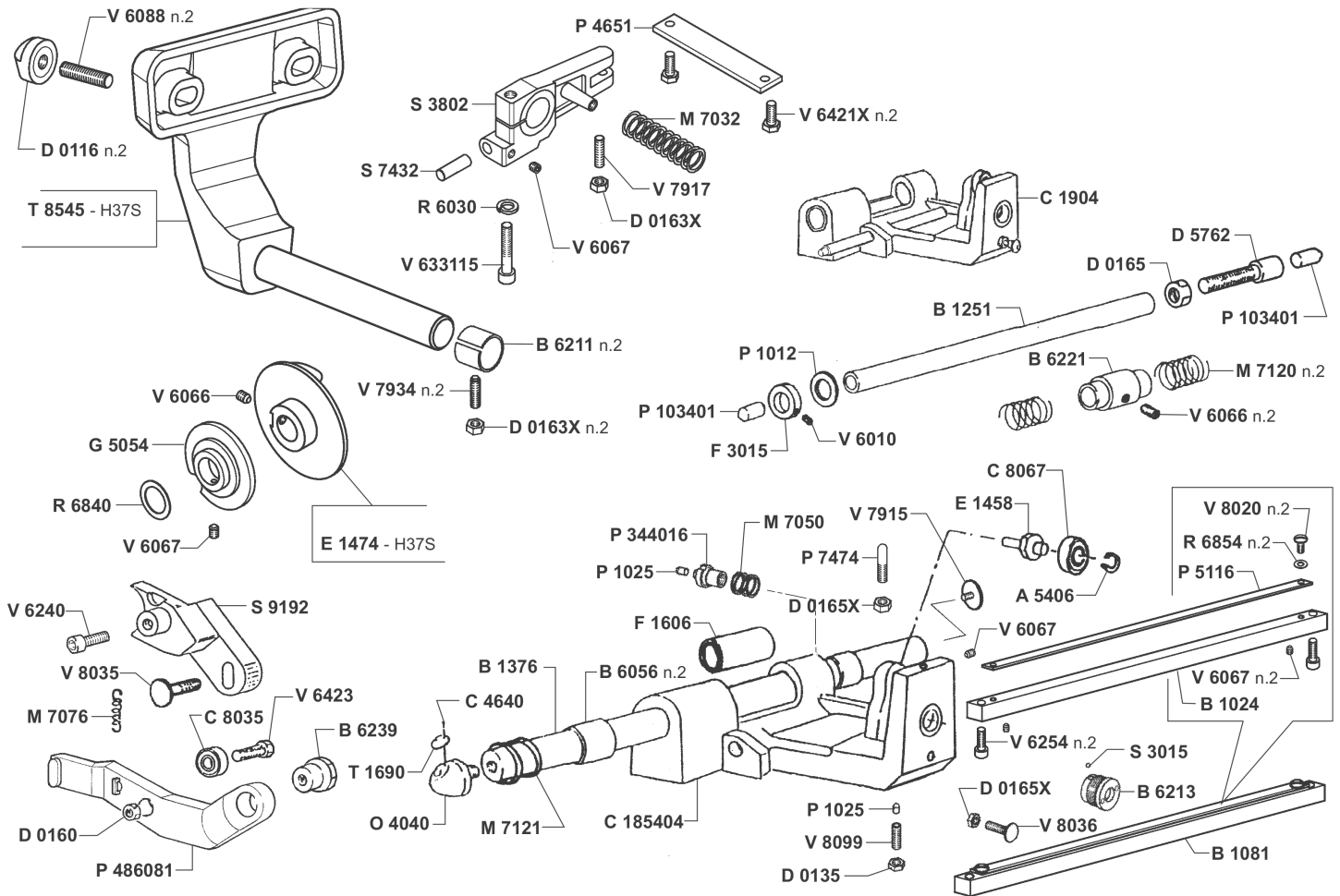
PARTS BREAKDOWN

ITEM	MODEL
38915	MS-IT-0370-H



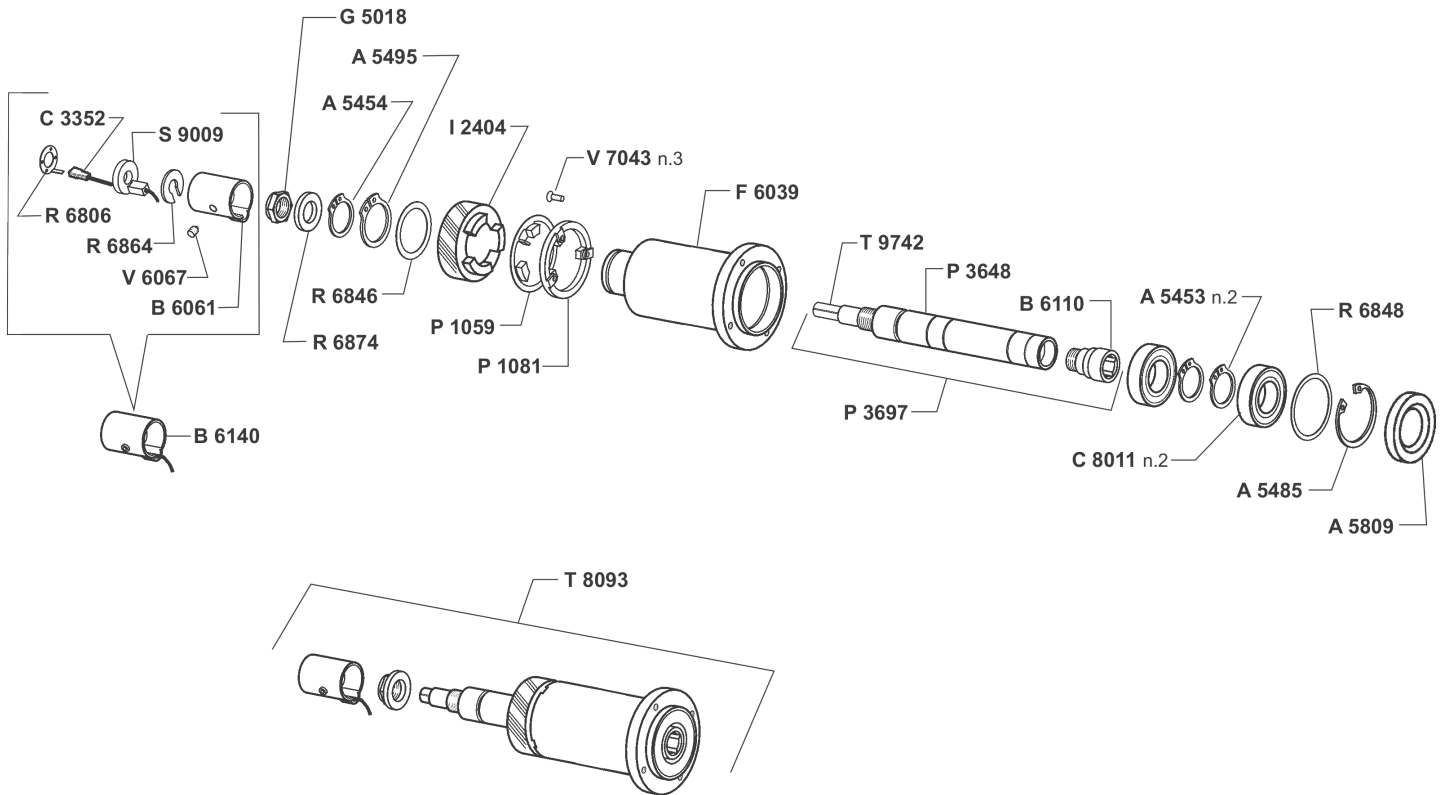
PARTS BREAKDOWN

ITEM	MODEL
38915	MS-IT-0370-H



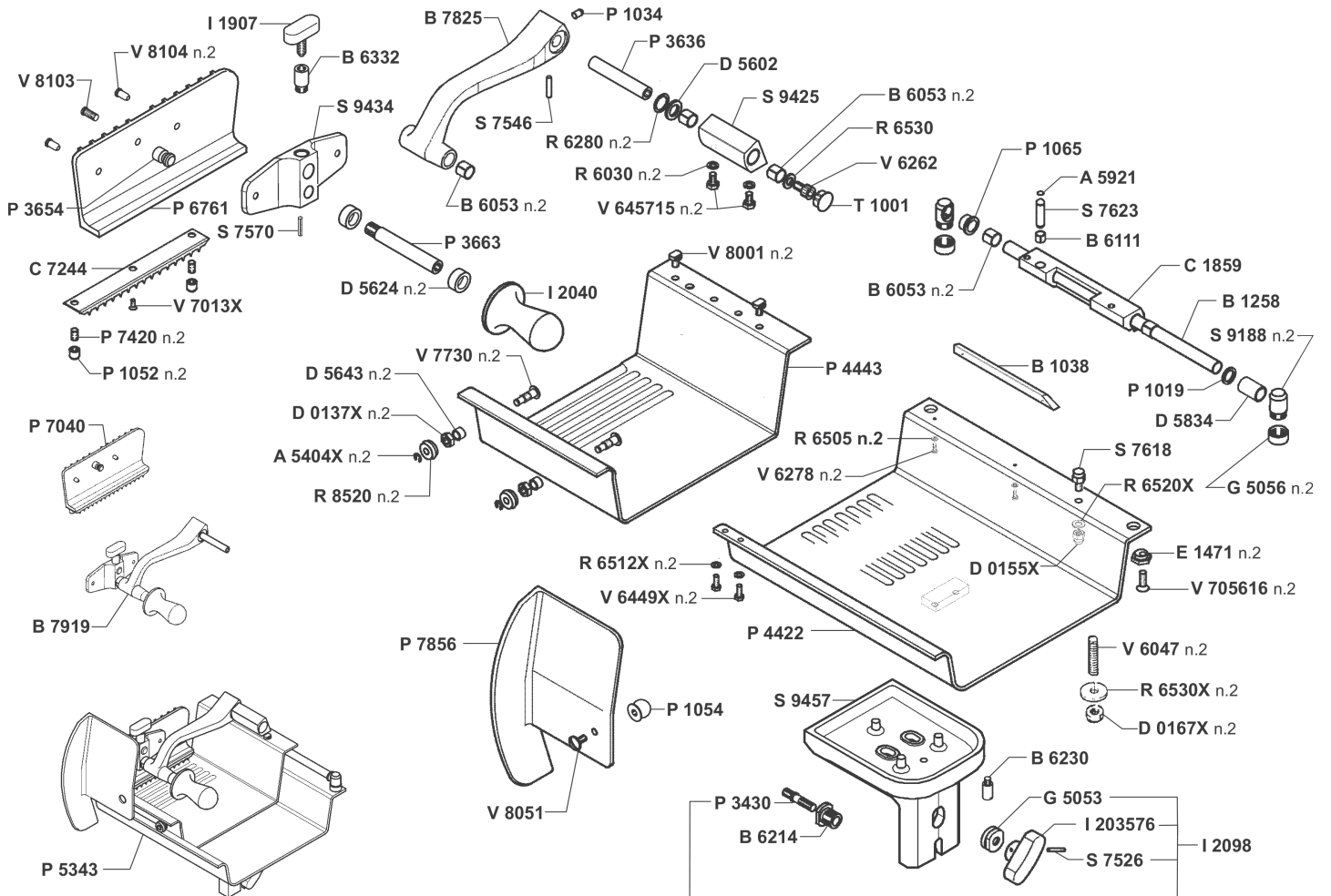
PARTS BREAKDOWN

ITEM	MODEL
38915	MS-IT-0370-H



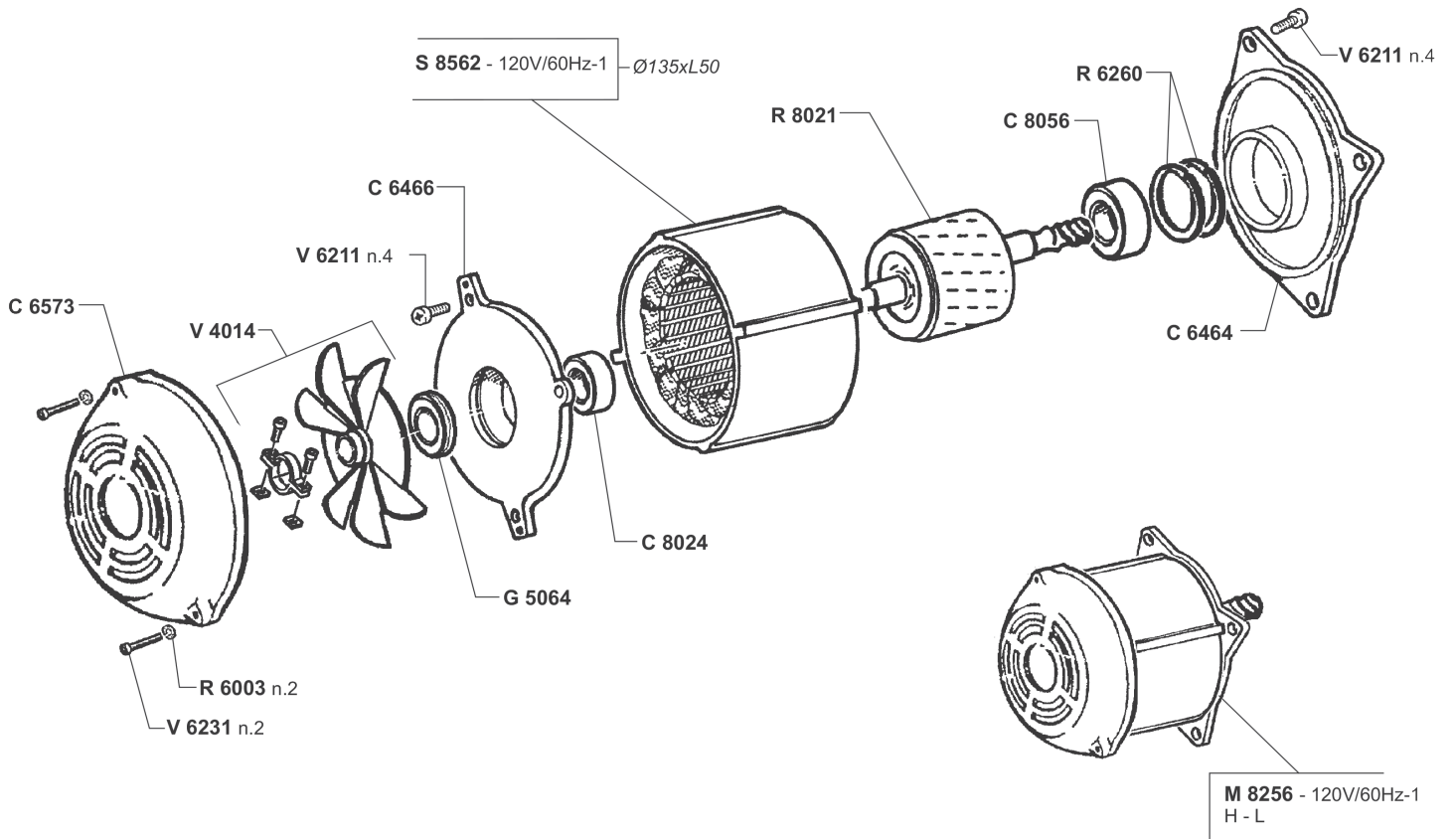
PARTS BREAKDOWN

ITEM	MODEL
38915	MS-IT-0370-H



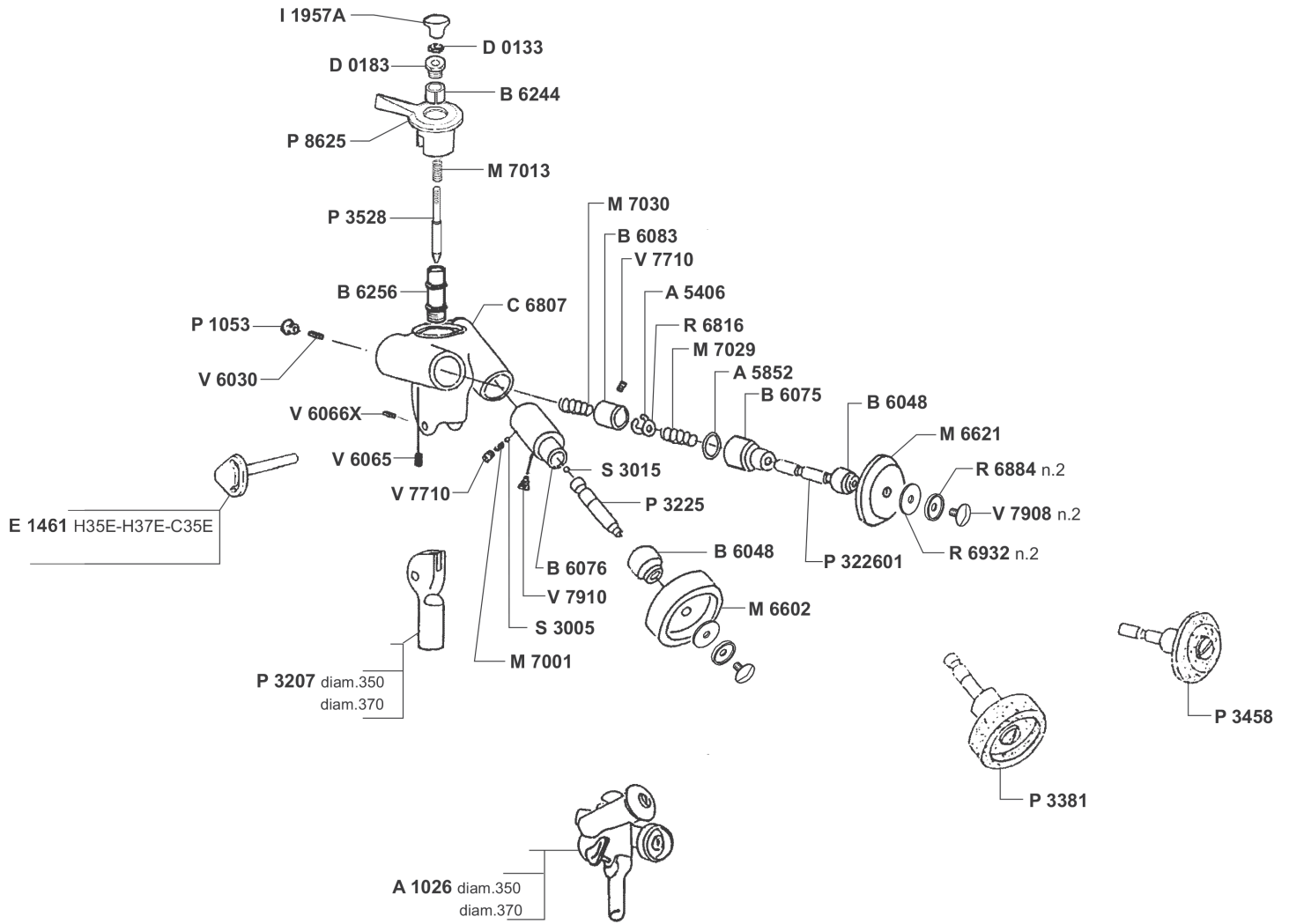
PARTS BREAKDOWN

ITEM	MODEL
38915	MS-IT-0370-H



PARTS BREAKDOWN

ITEM	MODEL
38915	MS-IT-0370-H



PARTS BREAKDOWN

ITEM	MODEL
38915	MS-IT-0370-H

Item No.	Description	Position	Item No.	Description	Position	Item No.	Description	Position
16900	Sharpening Assembly for 38915	A1026	16907	Bush. Sharpening for 38915	B6076	20458	Capacitor 14uF for 38915	C5815
36536	Ring El.Benzing 6 Stainless Steel for 38915	A5404X	17307	Bushing Sharp. for 38915	B6083	74403	Connector Faston 2Poles Male for 38915	C6010
16902	Ring El.Benzing 8 for 38915	A5406	19630	Bushing Fastener for 38915	B6104B	77611	P.C.B. Cover Box for 38915	C644680
17281	Ring El.Seeger Ext.25 for 38915	A5453	78265	Bushing Funnel for 38915	B6110	36614	Cover Anter.Motor H (Diam.135) for 38915	C6464
77585	Ring El.Seeger Est.25 Ser.Heavy for 38915	A5454	77550	Bushing DU 10x12x10 for 38915	B6111	36615	Back Motor Cover for 38915	C6466
19484	Ring 52 for 38915	A5485	77588	Bushing Fastener Guard Knife A310 A for 38915	B6140	36617	Motor Fan Cover for 38915	C6573
19612	Ring 33 for 38915	A5495	17312	Bushing 22x25x20 for 38915	B6211	19534	Housing Sharpener H for 38915	C6807
17283	Oil Seal 25x52x10 for 38915	A5809	36563	Carriage Bushing for 38915	B6213	19536	Rack for 38915	C7244
17287	O-Ring 123 17.86x2.62 for 38915	A5852	36564	Bushing for Carriage Support lg.23mm for 38915	B6214	17334	Bearing 2Z-6205 25x52x15 for 38915	C8011
77602	O-Ring OR 4500 for 38915	A5857	36566	Bushing to Hold Carriage Springs for 38915	B6221	16925	Bearing 2RS-6204 20x47x14 for 38915	C8024
77547	Pin Stop Ring for 38915	A5921	36567	Bushing DU 12x14x25 for 38915	B6222	36630	Bearing 5x16x6.5 for 38915	C8035
77502	Shaft Sealing Ring Ø98x42 for 38915	A5946	60449	Meat Tray Support Bushing for 38915	B6230	36631	Bearing 2RS-6205 25x52x15 for 38915	C8056
36546	Carriage Rod for 38915	B1024	36569	Fixing Lever Bushing for 38915	B6239	16926	Bearing 2RS-6000 (10x26x8) for 38915	C8067
77548	Tray Rod for 38915	B1038	17313	Bushing DU 14x15x16 for 38915	B6244	77504	Stainless Steel Nut U5587 M4 for 38915	D0102X
77533	Quadra Bar for 38915	B1081	23646	Sharpener Pivot Ferrule for 38915	B6256	77535	Special Nut M10 for 38915	D0116
36548	Shock Absorber Bar 12x170 for 38915	B1251	77552	Bushing for Plate for 38915	B6332	16928	Nut U5589 M6 for 38915	D0133
77549	Plate Rod for 38915	B1258	77553	Pusher Arm for 38915	B7825	19639	Nut M8 for 38915	D0135
19508	Carriage Rod for 38915	B1376	77554	Pusher Arm Ass. for 38915	B7919	36637	Nut U5589 M8 Stainless Steel for 38915	D0135X
79260	Body for 38915	B1808	77518	Sharpener Cover for 38915	C1616	36638	Nut U5589 M10 Stainless Steel for 38915	D0137X
16904	Bushing Sharpener for 38915	B6048	36591	Carriage Support for 38915	C185404	77508	Stainless Steel Nut U5588 M12 for 38915	D014215
16905	Bushing DU 16x18x15 for 38915	B6053	79262	Carriage Plate for 38915	C1859	19646	Nut U5588 M16 Stainless Steel for 38915	D0144X
AK403	Bushing DU 25x28x20 for 38915	B6056	77534	Cart Assembly for 38915	C1904	66365	Domed Nut Din 917 M8 Stainless Steel for 38915	D014515
17305	Bushing DU 18x20x15 for 38915	B6057	79263	Contact Pin for 38915	C3352	19642	Nut M8 for 38915	D0155X
19514	Bushing Guard A310 for 38915	B6061	36601	Rivet 1.9x5 for 38915	C4640	36643	Nut U5588 M5 for 38915	D0160
16906	Bush Sharpening for 38915	B6075	36607	Blade Cover Bolt Keeper 14x14M for 38915	C5007	36646	Nut U5588 M6 Stainless Steel for 38915	D0163X

PARTS BREAKDOWN

ITEM	MODEL
38915	MS-IT-0370-H

Item No.	Description	Position	Item No.	Description	Position	Item No.	Description	Position
36647	Nut U5588 M8 for 38915	D0165	36691	Ring for Bushing for 38915	G5053	19782	Spring 19.5x1.5x16.7 for 38915	M7050
36648	Nut U5588 M8 for 38915	D0165X	36692	Ring for Cam for 38915	G5054	17381	Spring 22.5x1.8x18 for 38915	M7052
36649	Nut U5588 M10 Stainless Steel for 38915	D0167X	36695	Ring Support Cap for 38915	G5055	19250	Spring 24.8x1.8x15 for 38915	M7071
36651	Sharpener Support Nut for 38915	D0183	77559	Plate Bar Supp. Ring 250/273 for 38915	G5056	36746	Spring 7x0.8x23 Cam for 38915	M7076
79264	Blade Support Screw for 38915	D5454	36697	Logging Lock Nut for 38915	G5064	19248	Spring 15.6x20x2.2 for 38915	M7120
77506	Spacer Ø22x22 for 38915	D5465	77507	Locknut M22 P.1 for 38915	G5106	36749	Carriage Bar Spring 25-28-1.5 for 38915	M7121
19648	Knife Spacer for 38915	D5602	17352	Touch Pad-Start/Stop Push Button for 38915	I1680	17383	Motor for 38915	M8256
77556	Right Spacer Int90 for 38915	D5624	19580	Handle for 38915	I1907	19791	Oiler Oil Cap with Screw for 38915	O4040
36656	Motor Spacer for 38915	D5640	17356	Fastener Handle for 38915	I1926	17388	R.Shock Absorb.12x19x2 for 38915	P1012
17341	Spacer D.10.5x14 H.9 for 38915	D5643	19587	Sharpener Knob for 38915	I1957A	17390	Rubber Shock Abs. 16x22x2.5 for 38915	P1019
36661	Carriage Shock Absorber Spacer for 38915	D5762	36705	Adjustment Knob for 38915	I1970A	36760	Pin Tray Shock-Absorber for 38915	P1025
60786	Locknut Spacer for 38915	D5770	36708	Assy Index Knob for 38915	I1990A	17392	Pl.Shock Absorb.8.5x20 for 38915	P1034
77519	Spacer Eccentrico for 38915	D577141	18220	Knob-Handling for 38915	I203576	36761	Shock Absorber for 38915	P103401
77557	Spacer Supp.Bar Post. for 38915	D5834	17363	End Grip Handle for 38915	I2040	19797	Nylon Shock 8.5x8 for 38915	P1042
17345	Cam Bearing for 38915	E1458	36717	Knob Assy for 38915	I2098	19798	Plastic Shock for 38915	P1045
36677	Cam Pin for 38915	E1460	AR285	Fixing Handle for 38915	I2158	77561	Shock Absorber D12 H18 for 38915	P1052
77590	Cam for Sharpener for 38915	E1461	46120	Blade Cover Knob for 38915	I2162	36762	Rubber Plug for 38915	P1053
77558	Eccentric for 38915	E1471	41486	Blade mm.370/57/4/326 Lip 1/2" for 38915	L0610	77562	Shock Absorber for 38915	P1054
69701	Black Plastic Cam 25mm for 38915	E1474	14787	Grinding Sharpening Stone 48x15x14.3 for 38915	M6602	16955	Shock Absorber for 38915	P1059
77614	Nylon Cable Tie (Diam.45x200) for 38915	F2815	21644	F Stone 51x7x14.3 for 38915	M6621	77563	Shock Absorber for 38915	P1065
36682	Unhook Friction Clasp 12x22x8 for 38915	F3015	36741	Spring 2.9x4x12 Stainless Steel for 38915	M7001	17395	Shock Absorber for 38915	P1081
77591	Support Blade Flange for 38915	F6039	17377	Spring 8.5x1.0x25 Stainless Steel for 38915	M7013	AR286	Slice Deflector for 38915	P1178
17349	Handle Flange for 38915	F609076	17379	Spring 11.9x0.7x27 Stainless Steel for 38915	M7029	77510	Slice Deflector for 38915	P1371
17351	Locknut for 38915	G5018	17380	Spring 13.4x1.3x30 Stainless Steel for 38915	M7030	77521	Ext. Blade Cover for 38915	P1599
36689	Stainless Steel Locknut M8 for 38915	G5027	19776	Spring 14x1.5x60 for 38915	M7032	AR287	Blade Cover for 38915	P1740

PARTS BREAKDOWN

ITEM	MODEL
38915	MS-IT-0370-H

Item No.	Description	Position	Item No.	Description	Position	Item No.	Description	Position
77616	Strain Relief for 38915	P2004	65227	Removable Pressing Machine for 38915	P6761	16972	Washer 5.5x19x2.5 for 38915	R6884
60421	Electrical Conduit for 38915	P2011	77568	Pusher Ass. for 38915	P7040	36893	Stainless Steel Special Washer 8.5x24x2 for 38915	R6897X
36778	Wire-Press for 38915	P2014	19655	Meat Grip Stud H for 38915	P7420	36897	Special Washer 5.5x22x1.5 for 38915	R6932
36779	Core-Hitch+Nut for 38915	P2015	19850	Protection for 38915	P7856	AR288	Washer Guard for 38915	R6977
17416	Pin Sharpener for 38915	P3207	77525	Mobile Protection for 38915	P7919	78261	Rotor Stator H.50 for 38915	R8021
16959	Pin Grinding for 38915	P3225	24030	Sharpener Operating Handle for 38915	P8625	16973	Plate Wheel D.25x9.5 for 38915	R8520
17419	Pin Truing for 38915	P322601	19657	Washer 4 for 38915	R6003	77619	P.C.B. Protection Box for 38915	S100480
17427	Assy Grinding Stone & Pin for 38915	P3381	19661	Washer 8 for 38915	R6030	19680	Ball 3 17 for 38915	S3005
36793	Pin.Handle for 38915	P3430	19665	Washer for 38915	R6260	17465	Ball 4.76 for 38915	S3015
62428	Lock Plate Pivot H for 38915	P344016	19666	Washer for 38915	R6280	AP747	Electric P.C. Board 120V/60 for 38915	S3325
17426	Assy Honing Stone Pivot for 38915	P3458	19667	Washer 12x17x2 for 38915	R6281	77541	Index Arm for 38915	S3802
23645	Sharpener Pivot for 38915	P3528	17455	Washer U6592 4 for 38915	R6505	79277	Housing for 38915	S5226
77564	Pin Support Meat Grip Arm H for 38915	P3636	16967	Washer U65926 for 38915	R6512	77542	Cylindrical Pin U1707 8x35 Stainless Steel for 38915	S7432
79272	Knife Shaft for 38915	P3648	17457	Washer U6592 6 St-Steel for 38915	R6512X	36920	Pin 4x25 for 38915	S7526
77565	Pivot Pusher for 38915	P3654	36884	Washer U6592 8 Stainless Steel for 38915	R6520X	36924	Pin M.E.U6875 6x30 for 38915	S7546
77523	Knife Cover Support Pin for 38915	P3655	19668	Washer 10 for 38915	R6530	36926	Pin U7586 3x18 for 38915	S7557
77524	Pin for Protec.Support for 38915	P3656	36885	Washer U6592 10 Stainless Steel for 38915	R6530X	77569	Pin U7586 6x30 for 38915	S7570
77566	Pivot Pusher for 38915	P3663	66375	Stainless Steel Washer U6592 12 for 38915	R654015	17476	Foot Support Pin D.10 M8 for 38915	S7595
77594	Assy Driving Pivot for 38915	P3697	17458	Contact Washer for 38915	R6806	77526	Pin Ø8x23 for 38915	S7608
36809	Tray for 38915	P4422	36889	Washer 10.5x16x1 for 38915	R6816	77570	Lock Pin for Carr. Plate Rotation for 38915	S7618
36812	Tray for 38915	P4443	16969	Washer 18.2x25x0.5 for 38915	R6840	77571	Lock Pin Pusher Arm for 38915	S7623
19832	Flat Bar for 38915	P4651	17460	Washer 34.2x46x0.5 for 38915	R6846	A0442	Pin 4x15 Zig.Handleplate L for 38915	S7634
77537	Ecc. Locking Plate for 38915	P486081	19674	Washer 44.5x51.5x0.2 for 38915	R6848	19870	Stator 120/60 for 38915	S8562
16961	Foot for 38915	P5008	77540	Washer 6.2x14x0.6 for 38915	R6854	77597	Washer Bracket A310 for 38915	S9009
77538	Sliding Bearing Flat 19x490x3 for 38915	P5116	77596	Switch Washer for 38915	R6864	77527	Protec. Support for 38915	S9185
77567	Assy Meat Tray for 38915	P5343	36892	Washer 17x30x4 for 38915	R6874	77572	Bracket for Plate Rod for 38915	S9188

PARTS BREAKDOWN

ITEM	MODEL
38915	MS-IT-0370-H

Item No.	Description	Position	Item No.	Description	Position	Item No.	Description	Position
19181	Bracket Support for 38915	S9192	37023	Screw STEI U5929 M5x5 for 38915	V6065	66387	Screw TE U5737 M6x15 Stainless Steel for 38915	V6421X
77573	Hand Grip Arm Support for 38915	S9425	19691	Grub Screw M6x6 for 38915	V6066	37067	Screw TE U5739 M5x20 for 38915	V6423
77574	Handle Grip Support for 38915	S9434	37024	Screw STEI U5929 M6x6 for 38915	V6066X	37070	Screw TE U5739 M6x20 Stainless Steel for 38915	V6449X
77575	Plate Support for 38915	S9457	19692	Screw M6x8 for 38915	V6067	77578	Stainless Steel Screw TE U5739 M8x14 for 38915	V645715
77576	Sharpener Support for 38915	S9468	19694	Screw M8x10 for 38915	V6075	37072	Screw TE U5739 M8x20 Stainless Steel for 38915	V6460X
77528	Ext.Knife Protect.Support for 38915	S9489	37029	Screw STEI U5929 M8x20 for 38915	V6079	37073	Screw TE U5739 M8x25 Stainless Steel for 38915	V6461X
19877	Rubber Cap for 38915	T1001	77544	Vite STEI U5923 M10x35 for 38915	V6088	AM182	Stainless Steel Screw TSP U6109 M5x12 for 38915	V7013X
36981	Rubber Cap for 38915	T1004	19697	Screw M5x16 for 38915	V6211	17497	Screw TSP U6109 M5x15 St-Steel for 38915	V7014X
19879	Label for 38915	T1603	19699	Screw M4x25 for 38915	V6231	17498	Screw TSPEI U5933 M4x10 for 38915	V7043
19883	Label Oil for 38915	T1690	77515	Screw TC U6107 M4x25 Inox for 38915	V623115	64400	Stainless Steel Screw TSPEI U5933 M6x15 for 38915	V704715
62438	Blade Cover Fastener for 38915	T5071	19700	Screw M6x16 for 38915	V6240	37083	Locking Screw-Support for 38915	V705016
42974	Tie Rod for 38915	T5191	19702	Screw M6x25 for 38915	V6246	37085	Screw 8x25 for 38915	V705616
79280	Knife Shaft Assy for 38915	T8093	37042	Screw TCEI U5931 M8x25 for 38915	V6254	19713	Screw Sharpener for 38915	V7710
77543	Bracket for 38915	T8545	19704	Screw M10x16 for 38915	V6262	37091	Screw H for 38915	V7730
62439	Blade Support Shaft for 38915	T9699	77516	Screw TCEI U5931 M12x35 Inox for 38915	V626315	17503	Screw M5x13 for 38915	V7908
79283	Shaft Pin for 38915	T9742	77530	Screw TCEI U5931 M10x30 for 38915	V6264	19715	Screw Sharpener for 38915	V7910
77514	Slice Thickness Plate for 38915	V313305	19706	Screw for 38915	V6278	17504	Bar Screw M6x14 Stainless Steel for 38915	V7915
37013	Motor Fan MEC80 148x16 for 38915	V4014	77531	Screw TCEI U5931 M6x14 Inox for 38915	V628915	19717	Screw M6x50 for 38915	V7917
37018	Screw STTC U6113 M6x6 for 38915	V6010	77629	Screw TBTC Aut.U6954 4.2x13 for 38915	V6296	19720	Screw M6 for 38915	V7934
37021	Screw for 38915	V6030	77545	Stainless Steel Screw TCEI U5931 M8x45 for 38915	V633115	37095	Screw for Rod 6x13 for 38915	V7993A
77577	Screw STEI U5923 M10x40 for 38915	V6047	77517	Screw TCEI U5931 M12x45 Inox for 38915	V634915	19724	Screw H for 38915	V8001
77529	Stainless Steel Screw STEI U5923 M8x55 for 38915	V605115	37058	Stainless Steel Screw M4x8 for 38915	V6370	16987	Special Screw M6x15 for 38915	V8020
AO999	Stainless Steel Screw STEI U5923 M8x80 Inox for 38915	V605415	37059	Stainless Steel Screw M4x14 for 38915	V6371	37102	Screw M6x20 for 38915	V8035

PARTS BREAKDOWN

ITEM	MODEL
38915	MS-IT-0370-H

Item No.	Description	Position	Item No.	Description	Position	Item No.	Description	Position
19920	Screw M8x30 for 38915	V8036	37113	Screw for Carr. Index M8x25 for 38915	V8099	77582	Special Screw Ø8x15 for 38915	V8104
77580	Stainless Steel Screw M8x16 for 38915	V8051	77581	Special Screw M10x18 for 38915	V8103	AR289	Screw for 38915	V8137