

# INSTRUCTION MANUAL

## Dough Dividers

<b>Item</b>	47580	47581	48580	48581
<b>Model</b>	BE-IT-0015A	BE-IT-0030A	BE-IT-0015A-1P	BE-IT-0030A-1P

### Warning!

Before you begin using your appliance, **PLEASE READ AND UNDERSTAND THIS DOCUMENT CAREFULLY** before installing, operating, maintaining, or servicing.

There are many important safety messages in this manual and on your appliance. Always read all safety messages.

Failure to do so can result in appliance failure, property damage, serious injury or death. Appliance failure, injury or property damage due to improper installation is not covered by warranty.

### Stop!

**DO NOT RETURN THIS PRODUCT TO THE STORE!**

For questions or assistance with this product, call TRENTO Toll free: **1-833-487-3686** or visit the support section from our website, [www.trentoequipment.com](http://www.trentoequipment.com)

Version: Revised - 04/18/2024



# TABLE OF CONTENTS

---

<b>Section</b>	<b>Page</b>
General Information -----	3 - 4
Safety and Warranty -----	4 - 6
Technical Specifications -----	7
Installation -----	7 - 8
Operation -----	9 - 11
Maintenance -----	11
Parts Breakdown -----	12 - 45
Electrical Schematics -----	46 - 49
Notes -----	50
Warranty Registration -----	51

## GENERAL INFORMATION

---

Omcan Manufacturing and Distributing Company Inc., Food Machinery of America, Inc. dba Omcan and Omcan Inc. are not responsible for any harm or injury caused due to any person's improper or negligent use of this equipment. The product shall only be operated by someone over the age of 18, of sound mind, and not under the influence of any drugs or alcohol, who has been trained in the correct operation of this machine, and is wearing authorized, proper safety clothing. Any modification to the machine voids any warranty, and may cause harm to individuals using the machine or in the vicinity of the machine while in operation.

### CHECK PACKAGE UPON ARRIVAL

Upon receipt of an Omcan shipment please inspect for external damage. If no damage is evident on the external packaging, open carton to ensure all ordered items are within the box, and there is no concealed damage to the machine. If the package has suffered rough handling, bumps or damage (visible or concealed), please note it on the bill of lading before accepting the delivery and contact Omcan within 24 hours, so we may initiate a claim with the carrier. A detailed report on the extent of the damage caused to the machine must be filled out within three days, from the delivery date shown in the shipping documents. Omcan has no recourse for damaged products that were shipped collect or third party.

**Before operating any equipment, always read and familiarize yourself with all operation and safety instructions.**

Omcan would like to thank you for purchasing this machine. It's of the utmost importance to save these instructions for future reference. Also save the original box and packaging for shipping the equipment if servicing or returning of the machine is required.

---

Omcan Fabrication et distribution Compañie Limité et Food Machinery d'Amérique, dba Omcan et Omcan Inc. ne sont pas responsables de tout dommage ou blessure causé du fait que toute personne ait utilisé cet équipement de façon irrégulière. Le produit ne doit être exploité que par quelqu'un de plus de 18 ans, saine d'esprit, et pas sous l'influence d'une drogue ou d'alcool, qui a été formé pour utiliser cette machine correctement, et est vêtu de vêtements de sécurité approprié. Toute modification de la machine annule toute garantie, et peut causer un préjudice à des personnes utilisant la machine ou des personnes à proximité de la machine pendant son fonctionnement.

### VÉRIFIEZ LE COLIS DÈS RÉCEPTION

Dès réception d'une expédition d'Omcan veuillez inspecter pour dommages externes. Si aucun dommage n'est visible sur l'emballage externe, ouvrez le carton afin de s'assurer que tous les éléments commandés sont dans la boîte, et il n'y a aucun dommage dissimulé à la machine. Si le colis n'a subi aucune mauvaises manipulations, de bosses ou de dommages (visible ou cachée), notez-le sur le bond de livraison avant d'accepter la livraison et contactez Omcan dans les 24 heures qui suivent, pour que nous puissions engager une réclamation auprès du transporteur. Un rapport détaillé sur l'étendue des dommages causés à la machine doit être rempli dans un délai de trois jours, à compter de la date de livraison indiquée dans les documents d'expédition. Omcan n'a aucun droit de recours pour les produits endommagés qui ont été expédiées ou cueilli par un tiers transporteur.

**Avant d'utiliser n'importe quel équipement, toujours lire et vous familiariser avec toutes les opérations et les**

## GENERAL INFORMATION

---

consignes de sécurité.

Omcan voudrais vous remercier d'avoir choisi cette machine. Il est primordial de conserver ces instructions pour une référence ultérieure. Également conservez la boîte originale et l'emballage pour l'expédition de l'équipement si l'entretien ou le retour de la machine est nécessaire.

Omcan Empresa De Fabricacion Y Distribucion Inc. Y Maquinaria De Alimentos De America, Inc. dba Omcan y Omcan Inc. no son responsables de ningun daño o perjuicio causado por cualquier persona inadecuada o el uso descuidado de este equipo. El producto solo podra ser operado por una persona mayor de 18 años, en su sano juicio y no bajo alguna influencia de droga o alcohol, y que este ha sido entrenado en el correcto funcionamiento de esta máquina, y ésta usando ropa apropiada y autorizada. Cualquier modificación a la máquina anula la garantía y puede causar daños a las personas usando la máquina mientras esta en el funcionamiento.

### REVISE EL PAQUETE A SU LLEGADA

Tras la recepcion de un envio Omcan favor inspeccionar daños externos. Si no hay daños evidentes en el empaque exterior, Habra el carton para asegurarse que todos los articulos solicitados estén dentro de la caja y no encuentre daños ocultos en la máquina. Si el paquete ha sufrido un manejo de poco cuidado, golpes o daños (visible o oculto) por favor anote en la factura antes de aceptar la entrega y contacte Omcan dentro de las 24 horas, de modo que podamos iniciar una reclamación con la compañía. Un informe detallado sobre los daños causados a la máquina debe ser llenado en el plazo de tres días, desde la fecha de entrega que se muestra en los documentos de envío. Omcan no tiene ningun recurso por productos dañados que se enviaron a recoger por terceros.

**Antes de utilizar cualquier equipo, siempre lea y familiarizarse con todas las instrucciones de funcionamiento y seguridad.**

Omcan le gustaría darle las gracias por la compra de esta máquina. Es de la mayor importancia para salvar estas instrucciones para futuras consultas. Además, guarda la caja original y el embalaje para el envío del equipo si servicio técnico o devolución de la máquina que se requiere.

## SAFETY AND WARRANTY

---

Before using the machine, you need to carefully read this manual and follow the instructions. Ensure the warning adhesives are in good condition and, if necessary, replace them. When you use the machine for the first time, carefully follow the instructions, to avoid unpleasant surprises.

**Do not allow unqualified staff to use the machine.**

**The machine can only be used by qualified staff.**

## **SAFETY AND WARRANTY**

---

**Ensure the machine is off during cleaning, maintenance and lubrication.**

**Return the safety guards to their original position after cleaning, maintenance or lubrication of the machine.**

**Both mechanical and electrical repairs must be carried out by qualified staff, i.e. by a person who has familiarity with and has the right qualifications for installation, assembly and use of the machine.**

- Remove the plug from the electrical power supply during machine maintenance.
- Only qualified and well-instructed staff can carry out mechanical or electrical operations.
- The machine must be used by one person at a time.
- Do not remove the guards when the machine is on.

### **DANGER DUE TO MECHANICAL COMPONENTS**

- The safety guards protect all the parts. Keep them on during normal operations. All the guards are controlled by a micro. An error will display when they are not closed, therefore the machine will not work.
- There is a risk of injuring yourself during machine maintenance, particularly when parts are removed without complying with safety standards.
- There is no danger if the machine is used correctly.

### **DANGER DUE TO ELECTRICAL COMPONENTS**

- Such danger is not covered because the components are not directly accessible. Broken or damaged cables or electrical components must be promptly replaced by specialist staff or an electrician.

### **DANGER DUE TO HYDRAULIC COMPONENTS**

- Such danger is not contemplated because the components withstand at least five times 40 bar pressure.

### **DANGER DUE TO LACK OF HYGIENE**

- If the precautions in the MAINTENANCE chapter are not strictly complied with, there may be serious hygiene-related danger.

### **DANGER DUE TO NOISE**

- The average noise level measured near the work station is under 70 decibels.

**RESIDENTIAL USERS: vendor assumes no liability for parts or labor coverage for component failure or other damages resulting from installation in non-commercial or residential applications. The right is reserved to deny shipment for residential usage; if this occurs, you will be notified as soon as possible.**

### **1 YEAR PARTS AND LABOUR WARRANTY**

## **SAFETY AND WARRANTY**

---

Within the warranty period, contact Omcan Inc. at 1-833-487-3686 to schedule an Omcan authorized service technician to repair the equipment locally.

Unauthorized maintenance will void the warranty. Warranty covers electrical and part failures not improper use.

Please see <https://omcan.com/disclaimer> for complete info.

### **WARNING:**

The packaging components are classified as normal solid urban waste and can therefore be disposed of without difficulty.

In any case, for suitable recycling, we suggest disposing of the products separately (differentiated waste) according to the current norms.

**DO NOT DISCARD ANY PACKAGING MATERIALS IN THE ENVIRONMENT!**

## TECHNICAL SPECIFICATIONS

Item Number	47580	47581	48580	48581
Model	BE-IT-0015A	BE-IT-0030A	BE-IT-15A-1P	BE-IT-30A-1P
Description	Automatic			
Electrical	220V / 60Hz / 3		220V / 60Hz / 1	
Number of Divisions	15	30	15	30
Minimum Product Weight	150g	40g	150g	40g
Maximum Product Weight	360g	135g	360g	135g
Minimum Capacity	5 lbs. / 2.3 kgs.	2.6 lbs. / 1.2 kgs.	5 lbs. / 2.3 kgs.	2.6 lbs. / 1.2 kgs.
Maximum Capacity	12.1 lbs. / 5.5 kgs.	8.8 lbs. / 4 kgs.	12.1 lbs. / 5.5 kgs.	8.8 lbs. / 4 kgs.
Head Diameter	15.7" / 400mm			
PSI per Hour	261			
Net Dimensions (DWH)	27.6" x 26" x 57.1" / 700 x 660 x 1450mm			
Packaging Dimensions (DWH)	28.7" x 29.9" x 65.7" / 730 x 760 x 1670mm			
Net Weight	540.1 lbs. / 245 kgs.			

## INSTALLATION

### TRANSPORT

The machine must be transported in its original packaging. It must be moved with an adequate lifting system to avoid damaging it and injuring yourself.

- Do not position anything on the package.
- The machine must always be transported in a vertical position.

### UNPACKING

The machine can be sent packaged with a pallet and cardboard, cage or crate. The packaged machine can therefore be lifted with a forklift or pallet truck by inserting the forks in the specific spaces prepared under the packaging. It can also be lifted with a crane, passing the ropes or straps under the packaging. In this case, comply with the maximum tensioning angle of the ropes which must be 45°.

Remove the packaging vertically. Carefully unpack the machine and check there are no signs of damage from

## **INSTALLATION**

---

transport. If found, promptly inform the carrier. You are always advised to photograph the damage. Remove the fastening brackets as in the figure and, using a forklift (or a lifting device), remove the machine from the pallet. To ensure further staff safety, you are advised to maintain a sufficient distance from the machine when it is being lifted.

### **POSITIONING AND MAINTENANCE**

The machine must only be installed by qualified and authorised staff. The machine must only be used for the purpose of dividing or dividing and rounding dough. The warranty is not valid if changes are made without the manufacturer's authorisation and/or if non-original spare parts are used. Use of nonoriginal spare parts can damage the machine and/or harm the operator. The machine must be positioned on a solid and regular floor. The machine is very stable.

### **ELECTRICAL CONNECTION**

A qualified technician should carry out installation and an electrician should connect the machine to the power supply system. Firstly check the voltage and the connection phases are equal to those of the machine (see identification plate). If this is not the case, contact the retailer. Check the rotation direction of the motor on the machine. Turn the main knob to position I-ON. Close the guard casing and run an "empty" work cycle. Check if the shaping plate oscillates. If this is not the case, an electrician must invert the phases, i.e. he must invert the two cables in the power plug to change the rotation direction of the motor.

### **DISPOSAL OF THE MACHINE**

When you want to dispose of an entire machine, parts or just the packaging, you must comply with the waste disposal rules. Specifications regarding the material on the various parts can be obtained from the manufacturer.

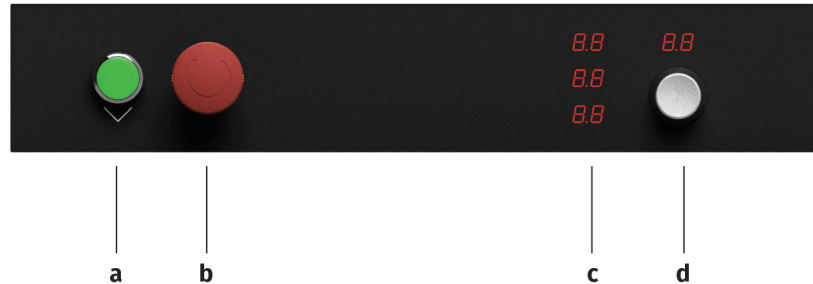
### **PLACING MACHINE OUT OF SERVICE**

Switch off the machine by bringing the main switch to 0-OFF and subsequently protecting the machine from external factors and leave it in a dry and enclosed location.



# OPERATION

## DESCRIPTION OF THE COMMAND KEYPAD - AUTOMATIC UNITS



- a. Start button.
- b. Emergency.
- c. Digital display.
- d. Knob to change the programs and the working times.

### WORK PROGRAM SELECTION

To select the program to work with, keep the knob pressed for 3 seconds (the display highlights relating to the program); turn the knob to the right or left to increase or decrease the program number. Once the work program is chosen, confirm by pressing the knob once.

### CHANGING THE WORKING TIMES

To change the working times, keep knob pressed for 3 seconds (the program number is highlighted). Select the program number, keep the knob to change the individual working times pressed for another 3 seconds with the procedure described below.

#### T 1 (PRESSING TIME)

The relevant display is highlighted. Turn the knob to the right or left to increase or decrease the value. Once the desired value is set, press the knob once.

#### T 2 (ROUNDING TIME)

The relevant display is highlighted. Turn the knob to the right or left to increase or decrease the value. Once the desired value is set, press the knob once.

#### T 3 (SHAPING CHAMBER)

The relevant display is highlighted. Turn the knob to the right or left to increase or decrease the value. Once the desired value is set, press the knob once.

At this point, the machine returns to display the program (all the values are highlighted) and is ready for the working cycle with the selected program.

### ERROR SIGNALS

The display can signal the following errors:

**E1 - Emergency inserted.**

# OPERATION

---

**E2 - Thermal relay.**

**E4 - Casing or safety guards open.**

## WORKING CYCLE

The phases follow for correct use of the rounding divider.

1. Position the main switch in the | ON position.
2. Insert the plate with the weighed dough inside the machine, paying attention you insert it correctly.
3. Set the pre-selected program for the working cycle.
4. Close the guard casing.
5. Press the green start key.
6. Wait for the green button to flash; open the guard casing and remove the plate with shaped balls.

## USEFUL ADVICE

To obtain a good product, proceed as follows:

- Do NOT put flour on the shaping plate.
- Be sure the dough has the right pre-leavening time.
- Place the dough (the dough must stay inside the plate imprints).
- If the dough is sticky, put flour on the dough.

The following information will help you obtain the best possible results.

### **The pieces of dough are not the same weight?**

- Ensure the piece of dough is positioned at the centre of the plate and is slightly pressed by hand. The dough must stay inside the plate imprints.
- Be sure the dough has the right pre-leavening time (depending on the dough, but fifteen minutes is normally enough).
- If the outer pieces are smaller than the inner ones, you need to increase the pressing time.
- If the outer pieces are bigger than the inner ones, you need to decrease the pressing time.

### **The pieces of dough are not completely shaped or have an irregular surface?**

- Increase or decrease the shaping chamber.
- Increase or decrease the rounding time.
- The dough will have a more even shape.

### **The pieces of dough have not got a smooth surface?**

- Increase or decrease the shaping chamber.
- Increase or decrease the rounding time.
- Check the weight of the dough to cut complies with the capacity of the machine.
- You are advised to correctly insert the shaping plate inside the machine because incorrect insertion of the plate could seriously damage the machine.
- Check the rotation direction of the shaping plate, otherwise the machine will not work. If necessary, invert

## OPERATION

---

two phases of the current socket.

- With a medium consistency dough, the machine can produce pieces of dough varying in weight by 3-4%.

## MAINTENANCE

---

### DAILY MAINTENANCE

To clean the machine daily, follow the phases as outlined below:

1. Remove the upper casing by unscrewing the specific fastenings (x2).
2. Open the fastening thrusts (x2).
3. Open the cutting unit accompanying it to the support.

**The machine will automatically display the “CL” cleaning program.**

4. Press the “start” button; the knives will exit the machine for cleaning.
5. Once the knives are clean, press the start key again and the knives return to position.
6. Close the cutting unit accompanying it to the support.

**Check the two fastening thrusts are correctly coupled. If not, they can cause serious damage to the machine.**

7. Close the fastening thrusts (x2).
8. Place the upper casing by screwing in the specific fastenings (x2).

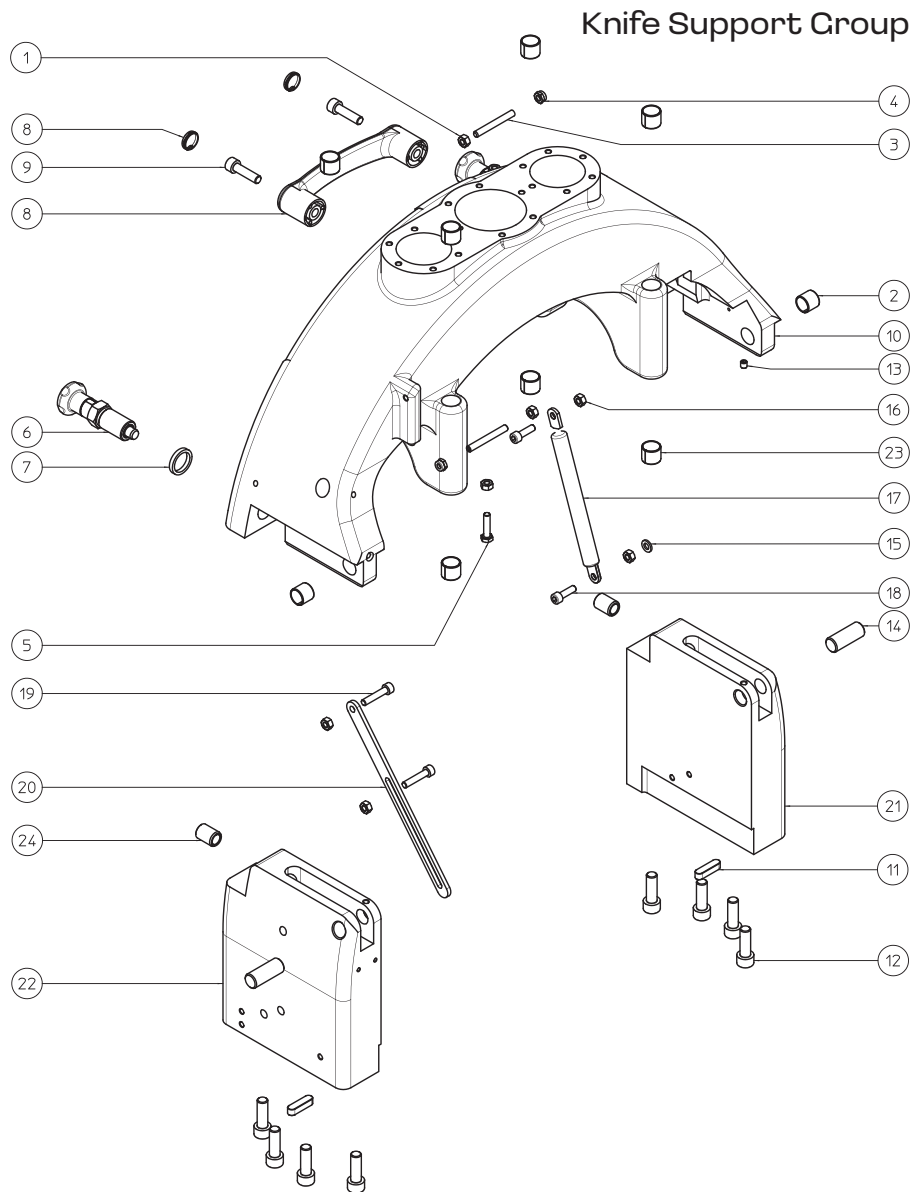
### PERIODIC MAINTENANCE

To ensure the machine works properly and, in particular to ensure a long life, you are advised to periodically clean the ring on the head. The stainless steel parts, the painted covers, the polyethylene PE500 and the plates in PETG can be easily cleaned with water and soap or a neutral detergent, then you need to rinse them with plenty of water and dry them with a soft cloth. Having removed the upper casing as previously described, continue as below:

1. Open the cutting unit accompanying it to the support. Remove the ring fastenings (x2).
2. Remove the ring and clean it inside with a plastic scraper.
3. Close the cutting unit accompanying it to the support and close the fastening thrusts (x2).

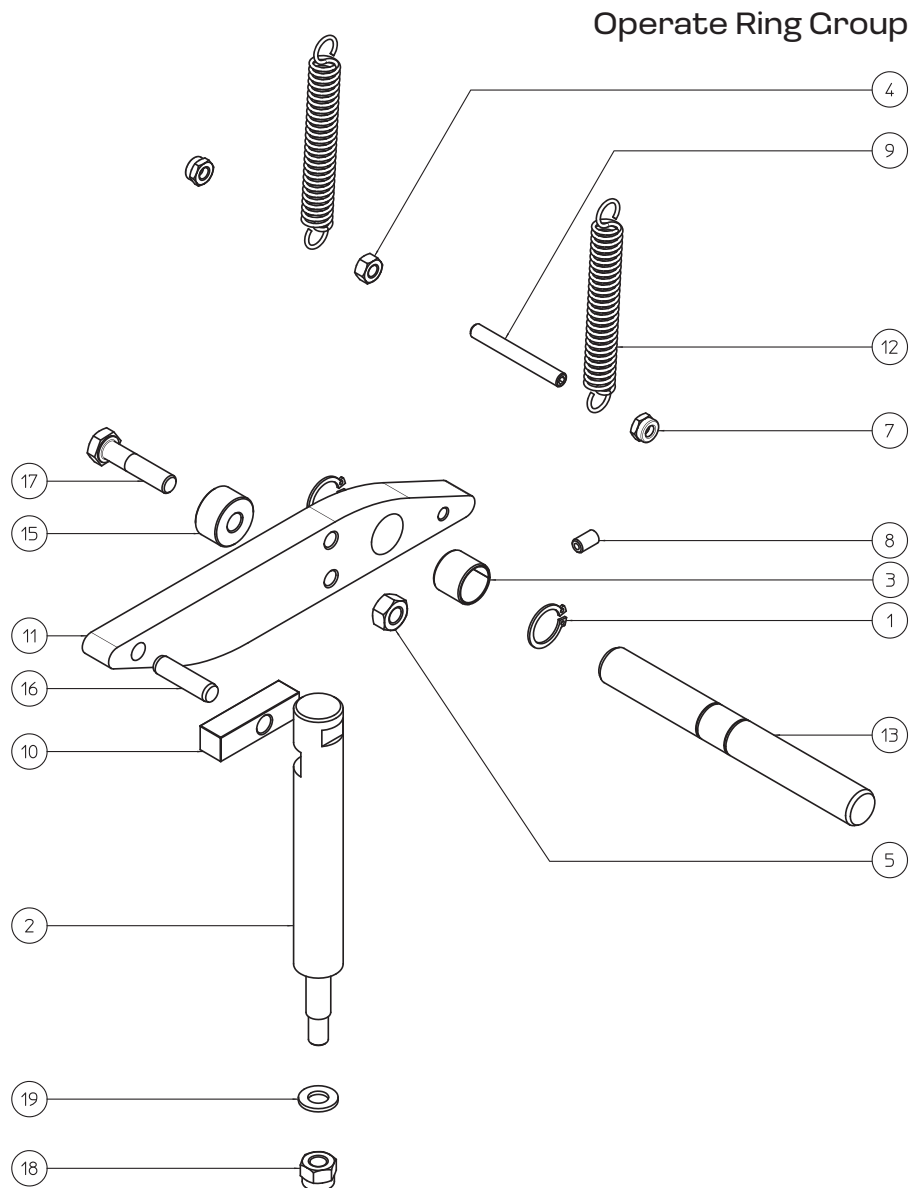
# PARTS BREAKDOWN

ITEM	MODEL
47580	BE-IT-0015A
47581	BE-IT-0030A
48580	BE-IT-0015A-1P
48581	BE-IT-0030A-1P



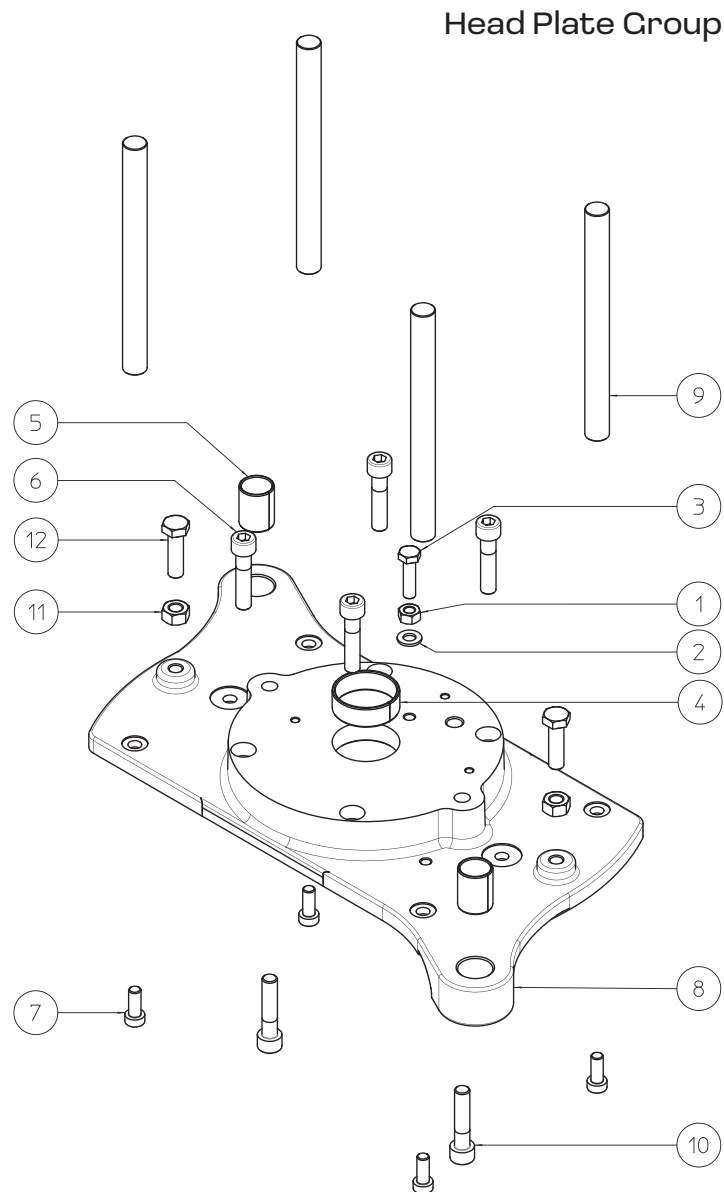
## PARTS BREAKDOWN

ITEM	MODEL
47580	BE-IT-0015A
47581	BE-IT-0030A
48580	BE-IT-0015A-1P
48581	BE-IT-0030A-1P



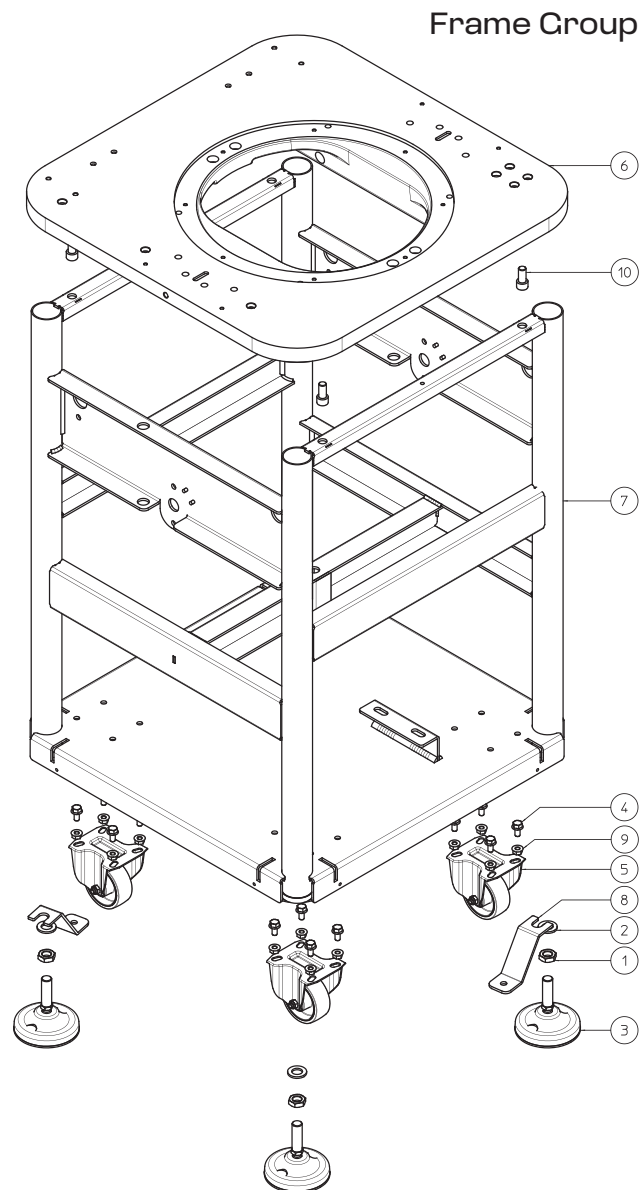
# PARTS BREAKDOWN

ITEM	MODEL
47580	BE-IT-0015A
47581	BE-IT-0030A
48580	BE-IT-0015A-1P
48581	BE-IT-0030A-1P



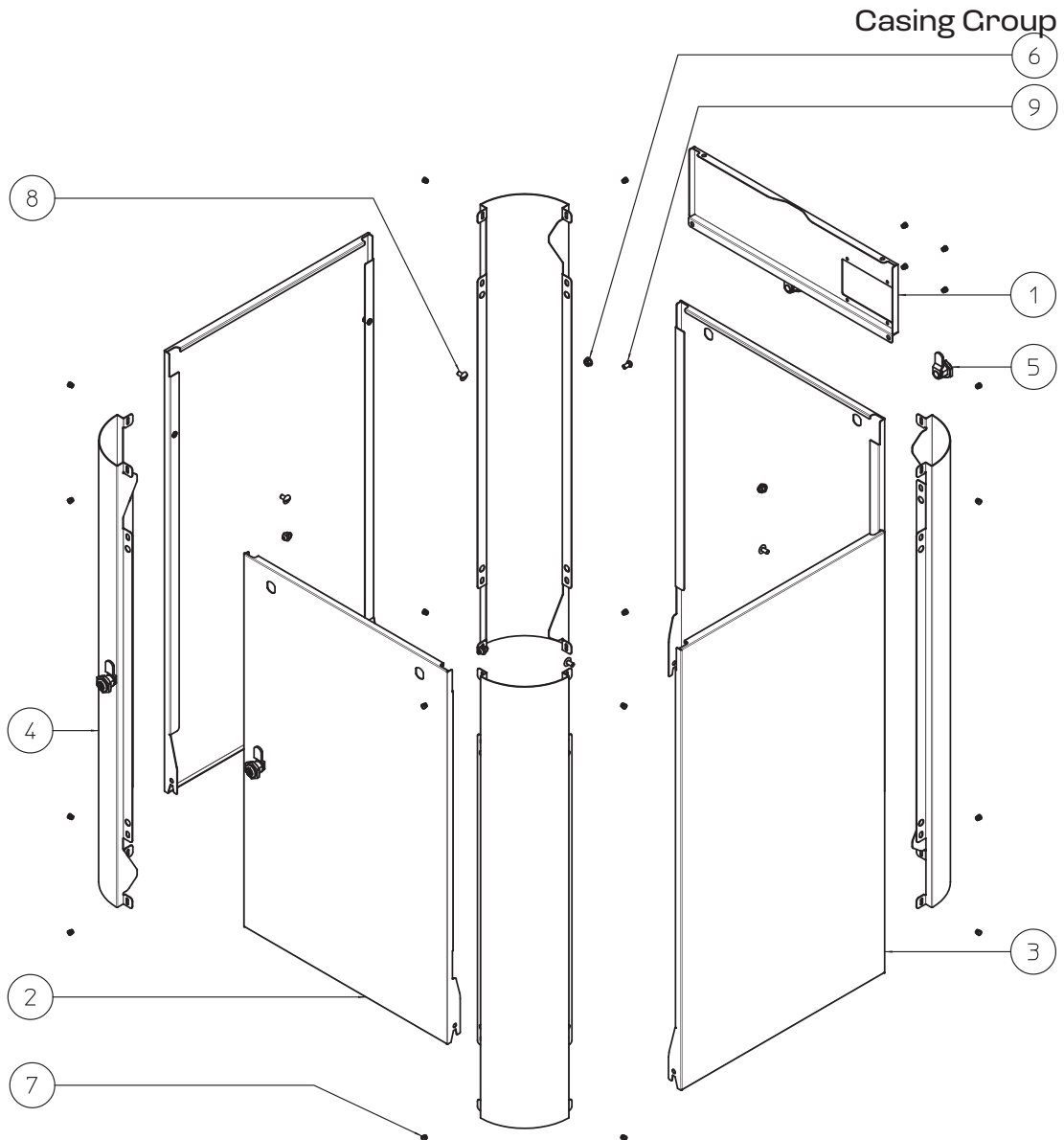
## PARTS BREAKDOWN

ITEM	MODEL
47580	BE-IT-0015A
47581	BE-IT-0030A
48580	BE-IT-0015A-1P
48581	BE-IT-0030A-1P



# PARTS BREAKDOWN

ITEM	MODEL
47580	BE-IT-0015A
47581	BE-IT-0030A
48580	BE-IT-0015A-1P
48581	BE-IT-0030A-1P

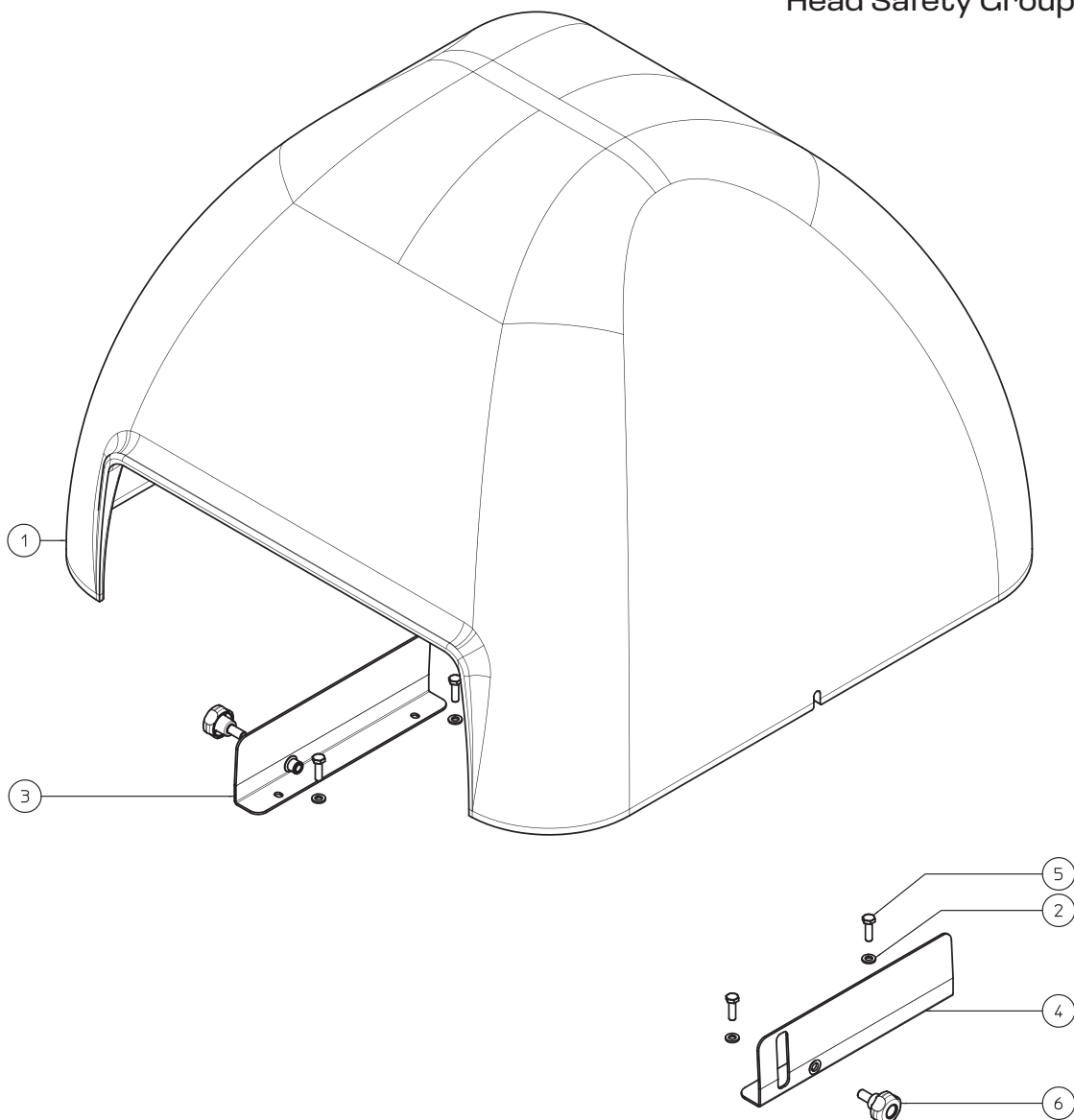




## PARTS BREAKDOWN

ITEM	MODEL
47580	BE-IT-0015A
47581	BE-IT-0030A
48580	BE-IT-0015A-1P
48581	BE-IT-0030A-1P

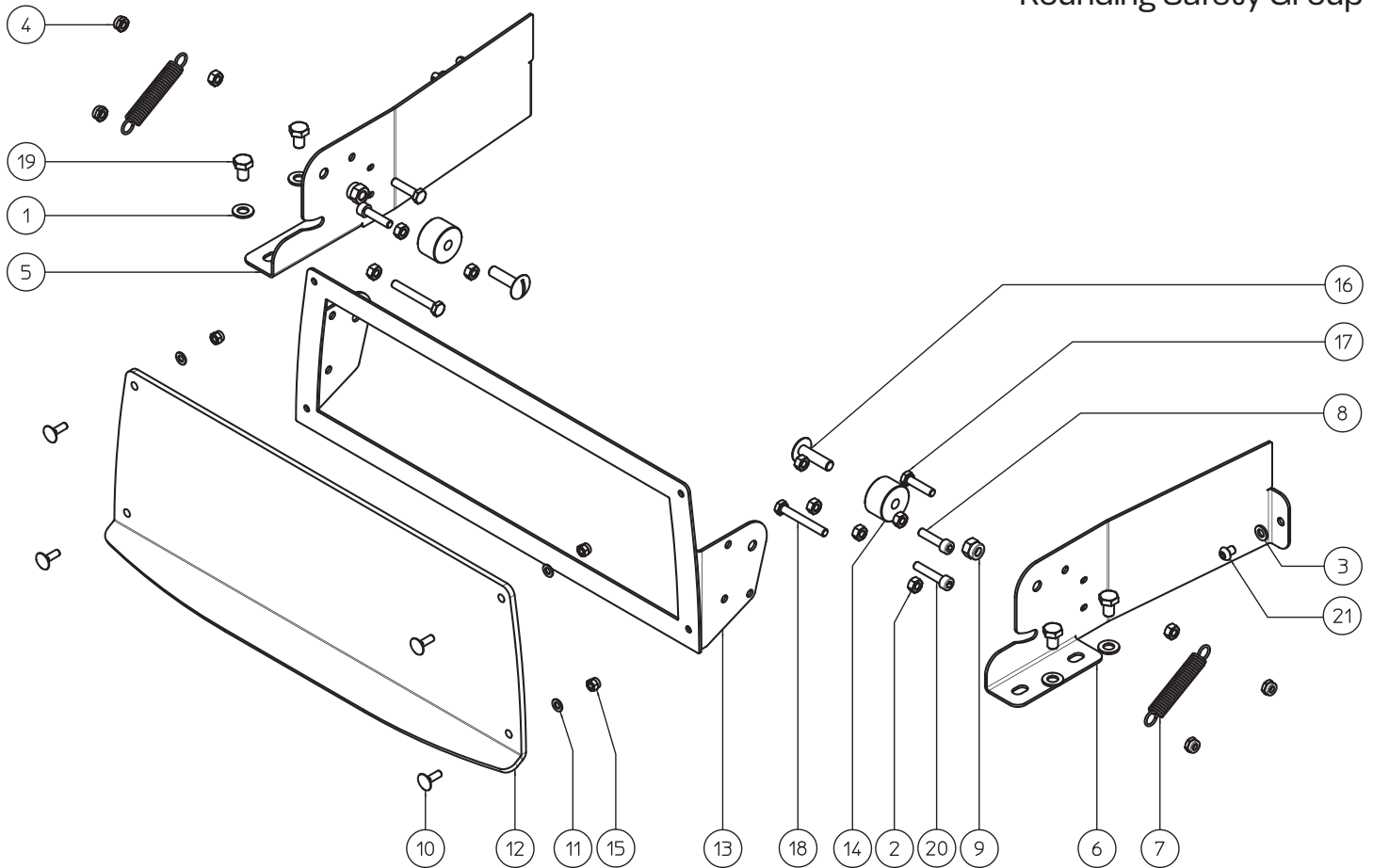
Head Safety Group



# PARTS BREAKDOWN

ITEM	MODEL
47580	BE-IT-0015A
47581	BE-IT-0030A
48580	BE-IT-0015A-1P
48581	BE-IT-0030A-1P

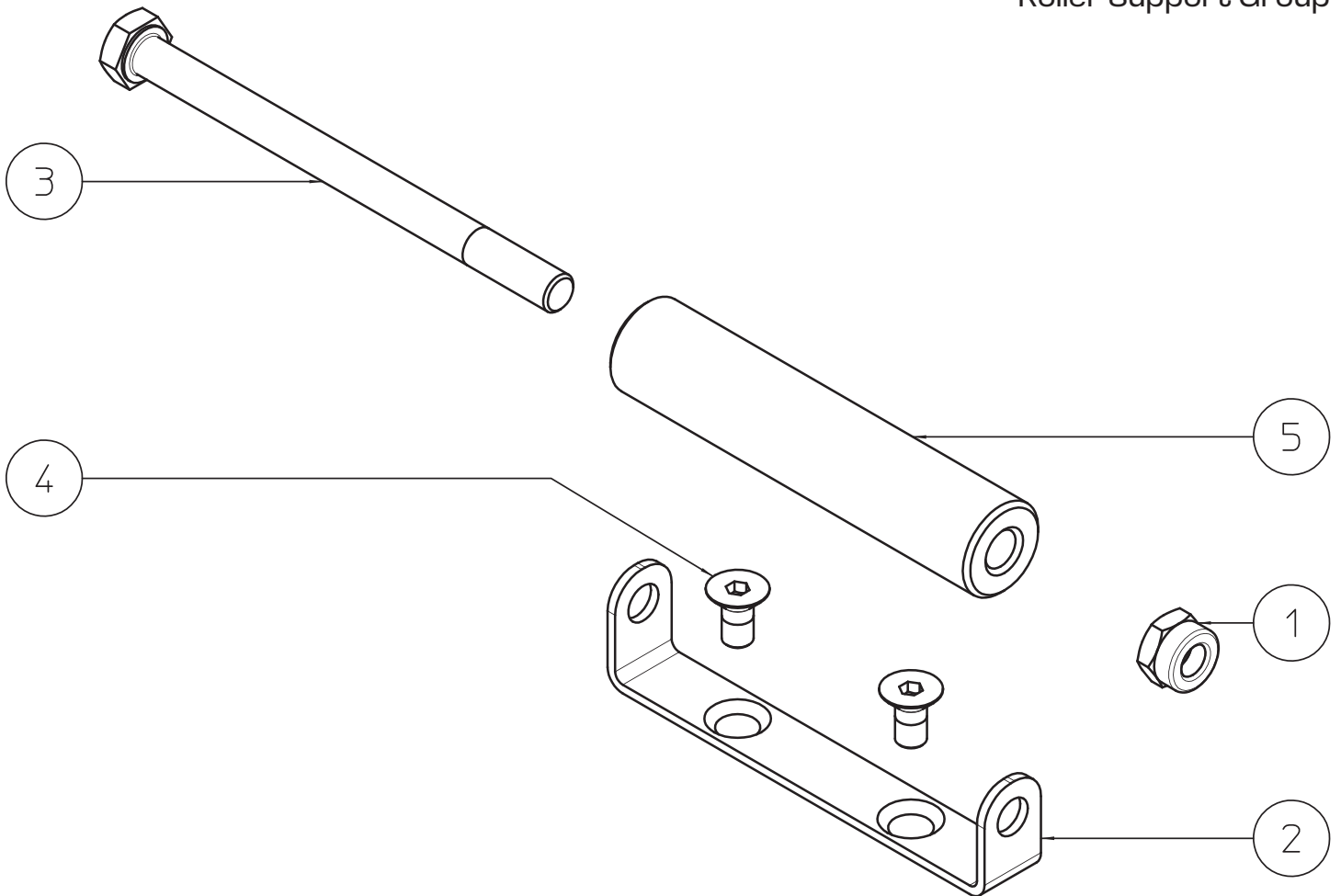
Rounding Safety Group



## PARTS BREAKDOWN

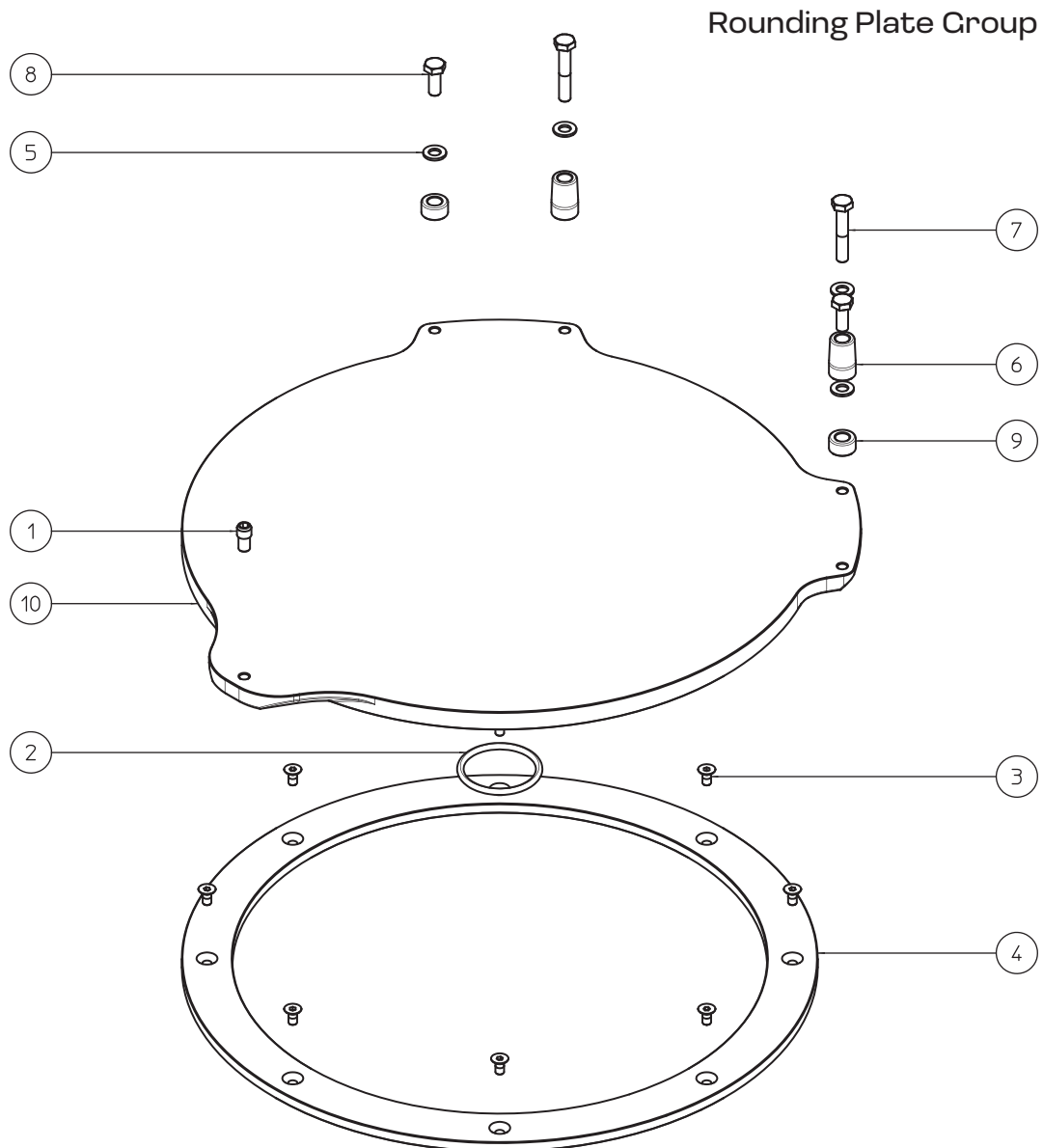
ITEM	MODEL
47580	BE-IT-0015A
47581	BE-IT-0030A
48580	BE-IT-0015A-1P
48581	BE-IT-0030A-1P

Roller Support Group



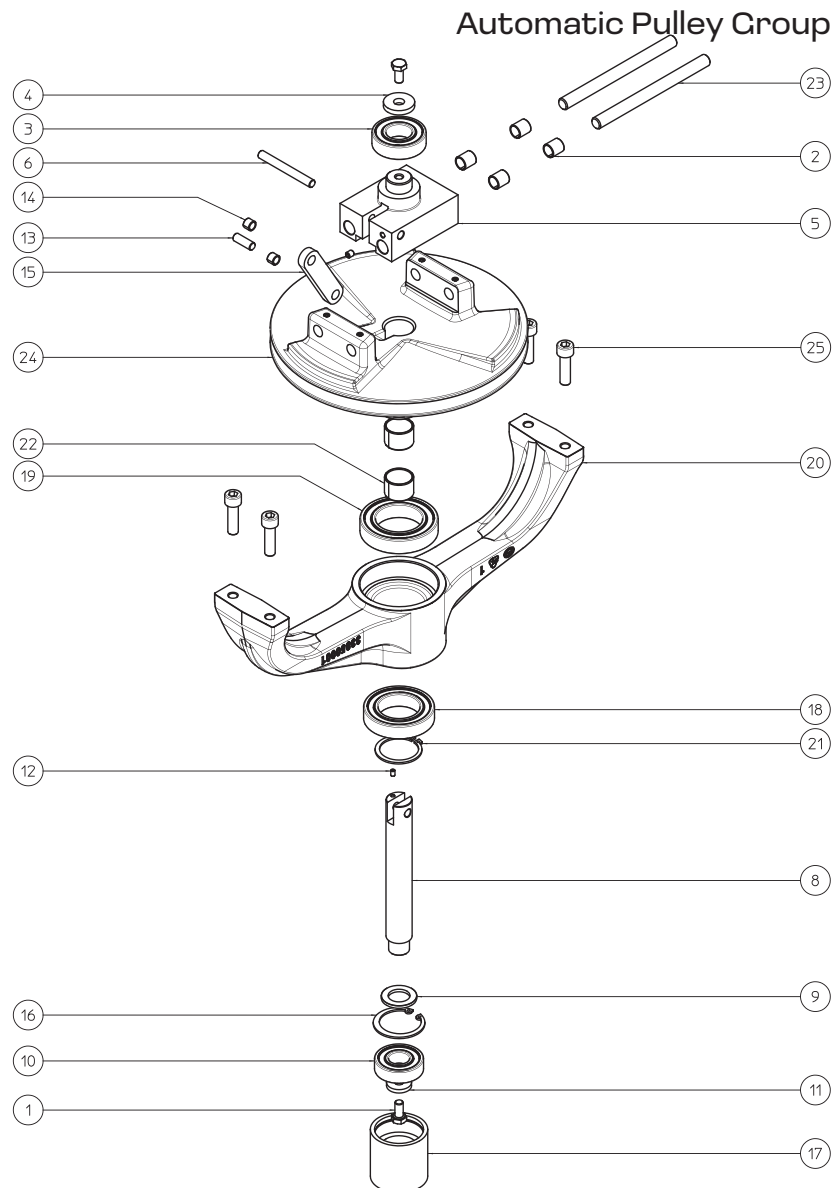
# PARTS BREAKDOWN

ITEM	MODEL
47580	BE-IT-0015A
47581	BE-IT-0030A
48580	BE-IT-0015A-1P
48581	BE-IT-0030A-1P



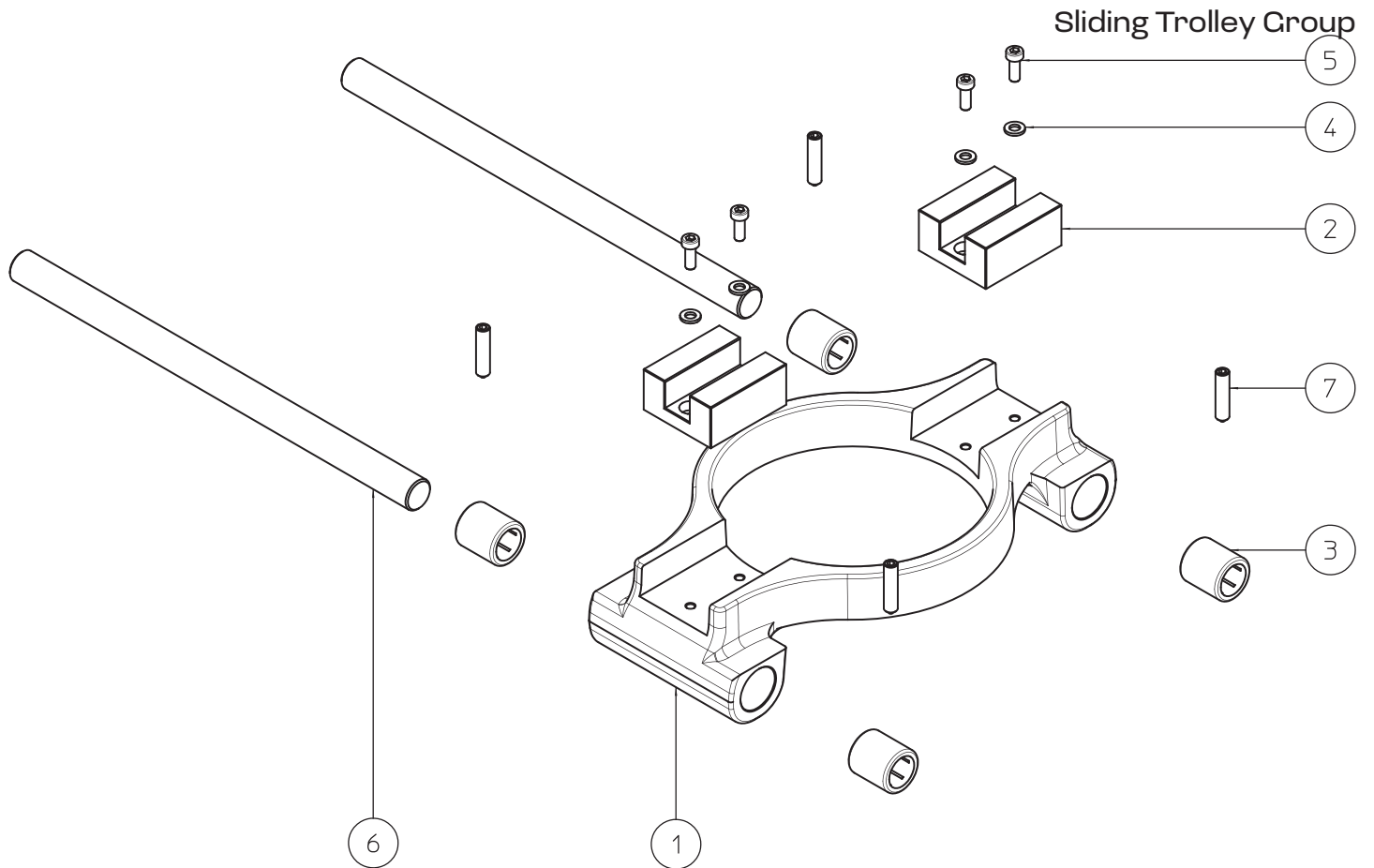
# PARTS BREAKDOWN

ITEM	MODEL
47580	BE-IT-0015A
47581	BE-IT-0030A
48580	BE-IT-0015A-1P
48581	BE-IT-0030A-1P



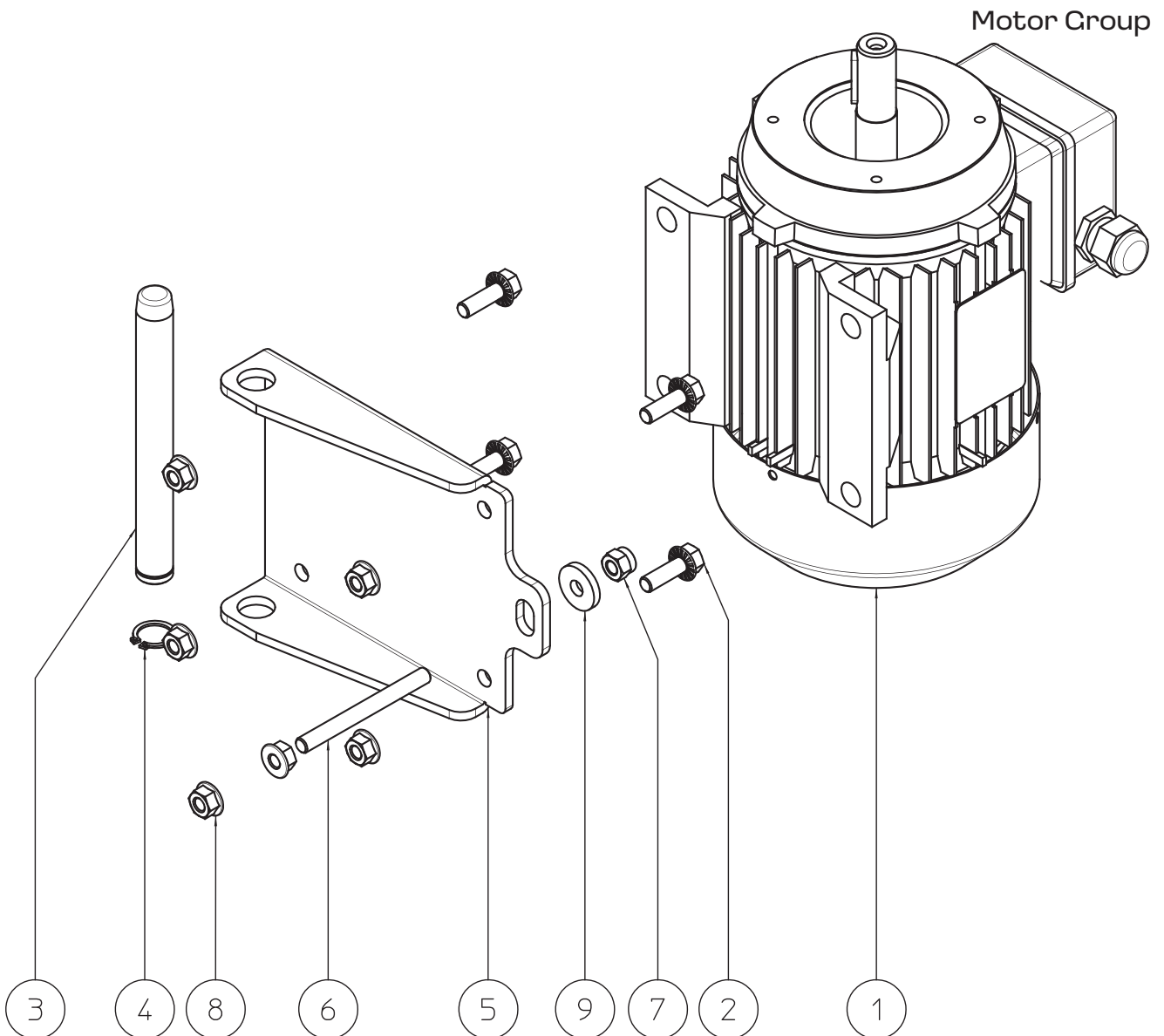
# PARTS BREAKDOWN

ITEM	MODEL
47580	BE-IT-0015A
47581	BE-IT-0030A
48580	BE-IT-0015A-1P
48581	BE-IT-0030A-1P



## PARTS BREAKDOWN

ITEM	MODEL
47580	BE-IT-0015A
47581	BE-IT-0030A
48580	BE-IT-0015A-1P
48581	BE-IT-0030A-1P

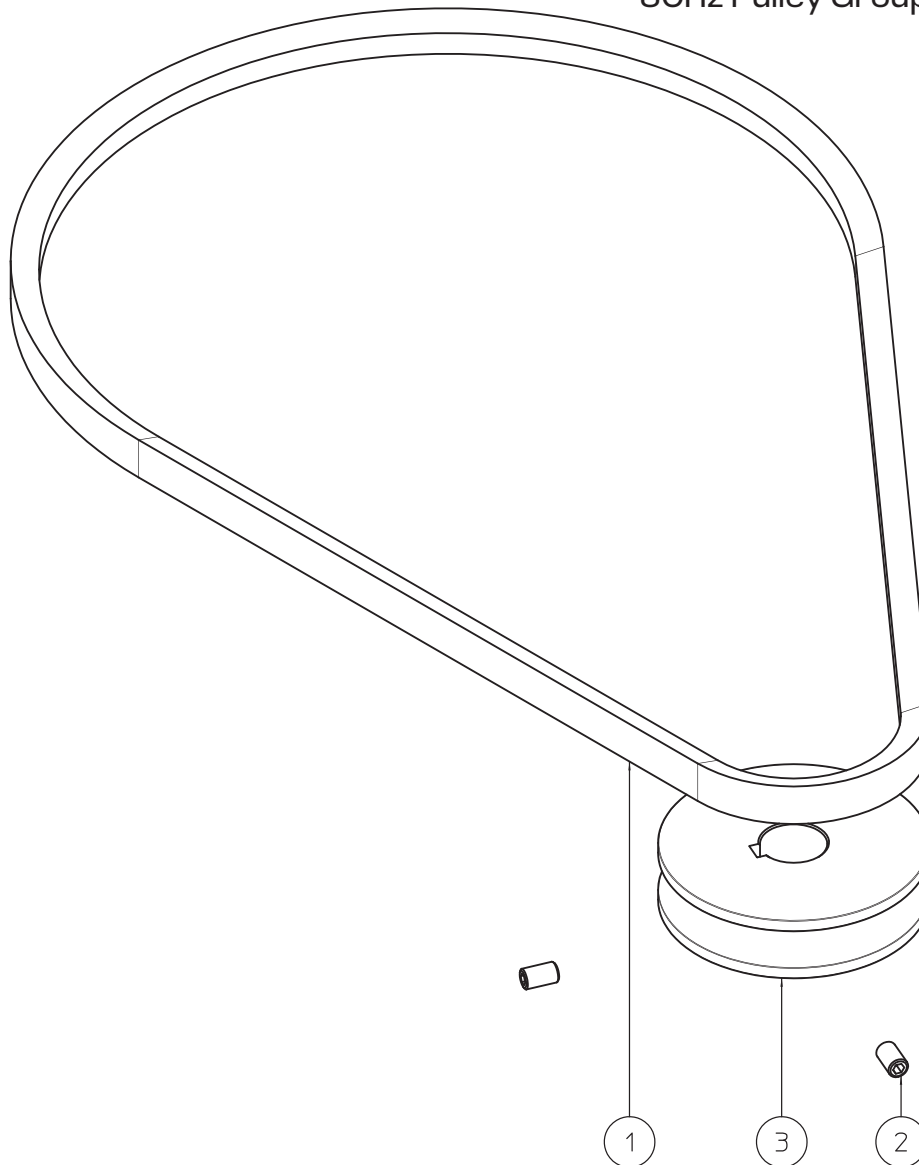


## PARTS BREAKDOWN

---

ITEM	MODEL
47580	BE-IT-0015A
47581	BE-IT-0030A
48580	BE-IT-0015A-1P
48581	BE-IT-0030A-1P

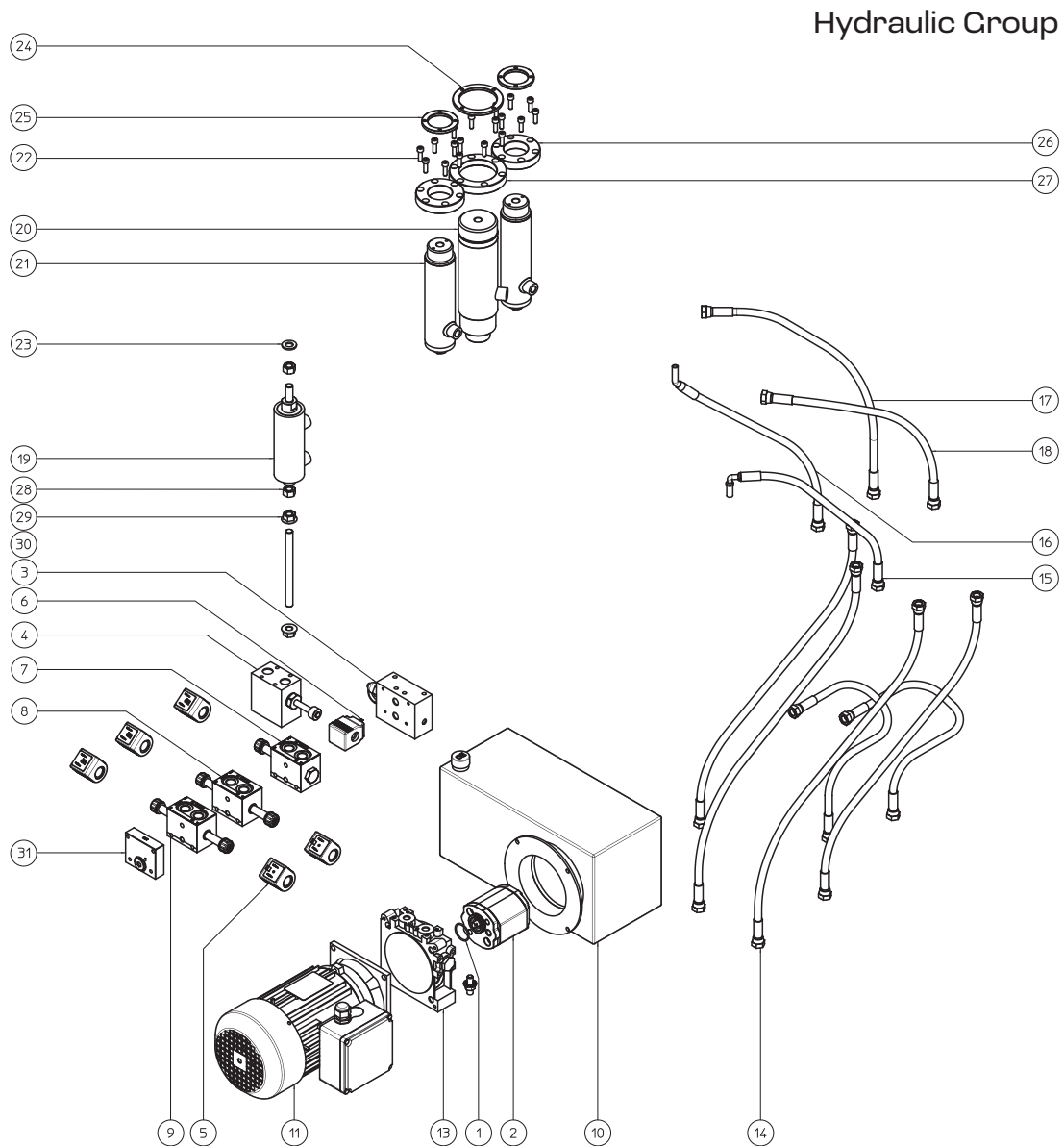
60Hz Pulley Group





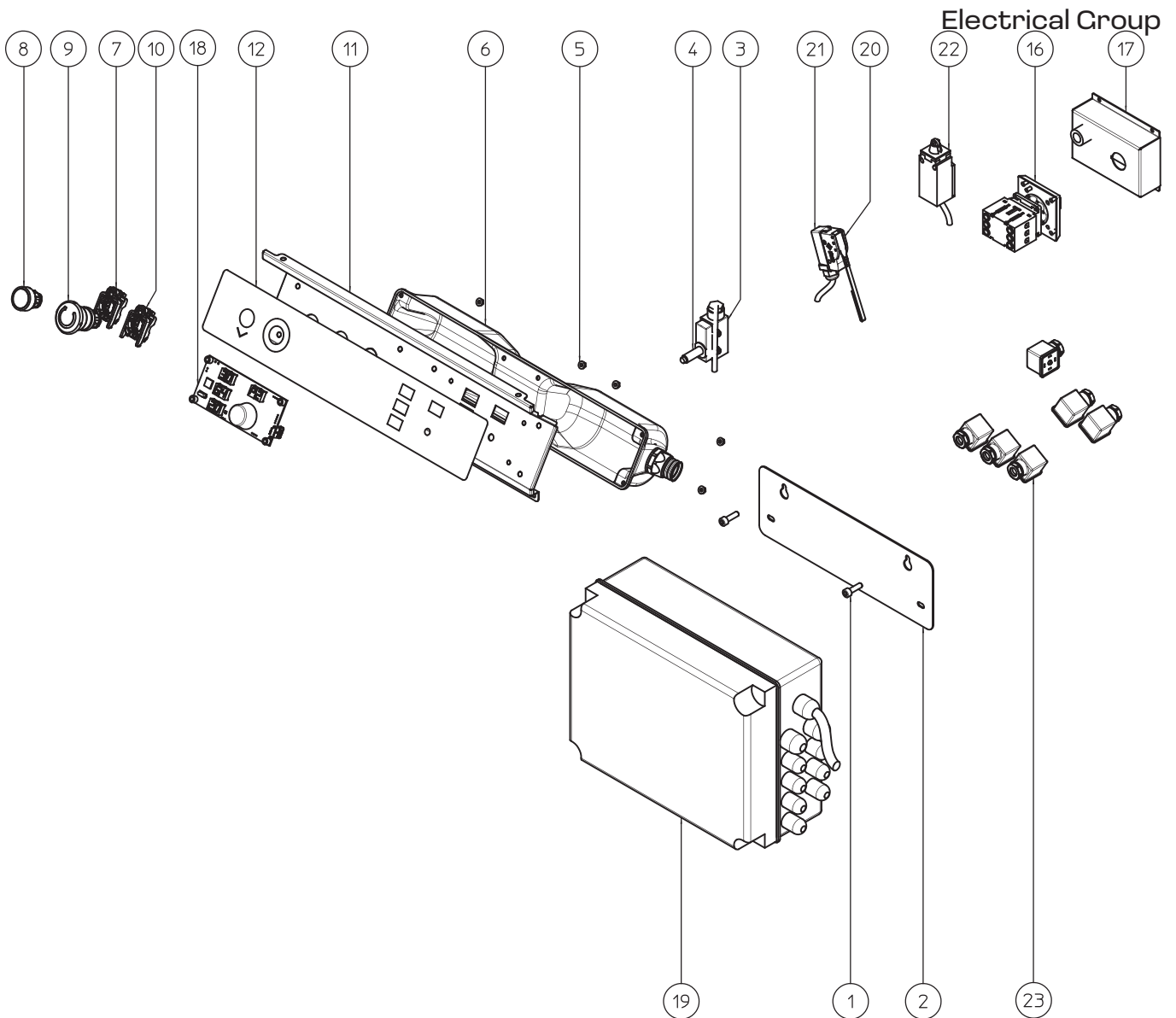
# PARTS BREAKDOWN

ITEM	MODEL
47580	BE-IT-0015A
47581	BE-IT-0030A
48580	BE-IT-0015A-1P
48581	BE-IT-0030A-1P



# PARTS BREAKDOWN

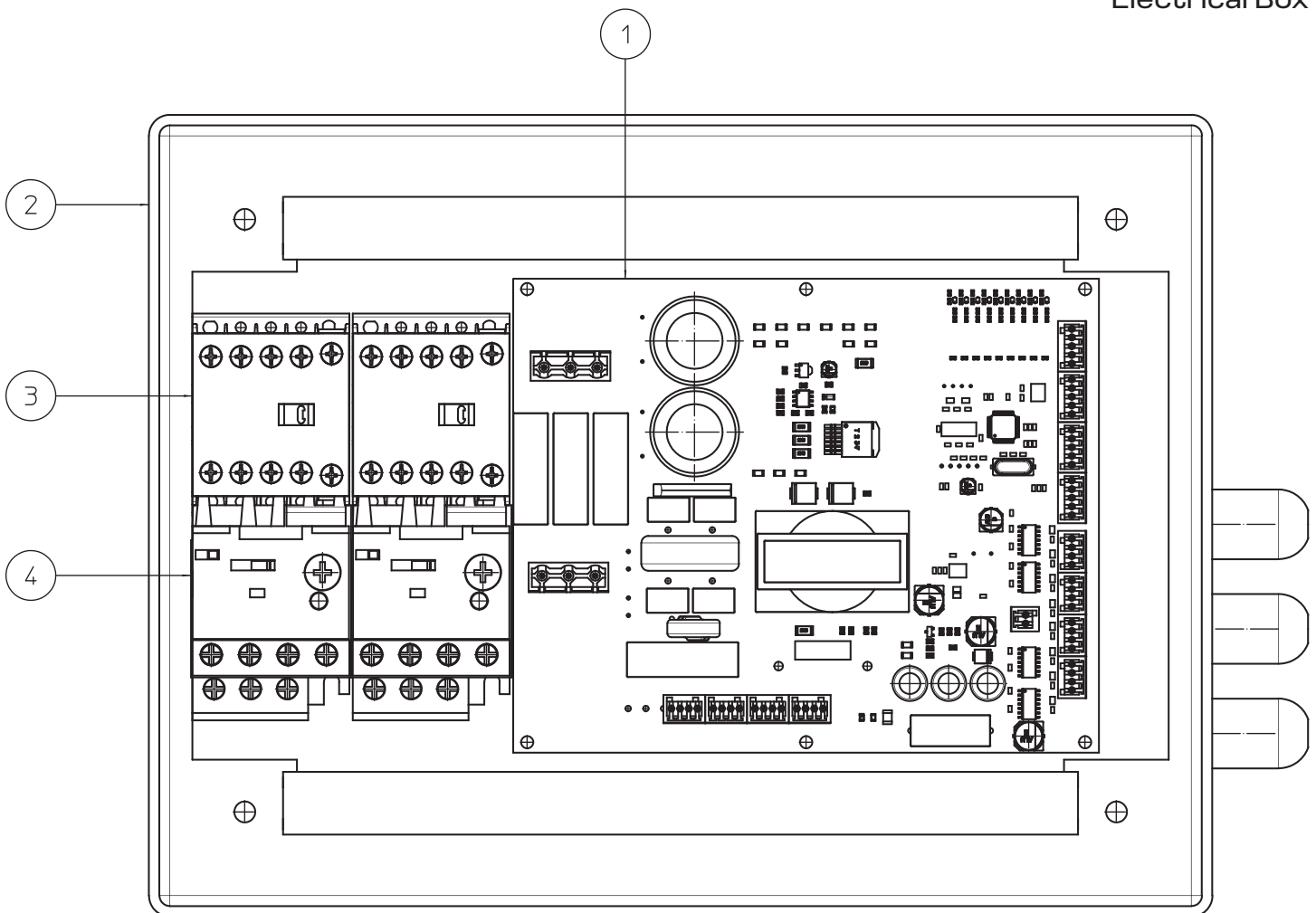
ITEM	MODEL
47580	BE-IT-0015A
47581	BE-IT-0030A
48580	BE-IT-0015A-1P
48581	BE-IT-0030A-1P



# PARTS BREAKDOWN

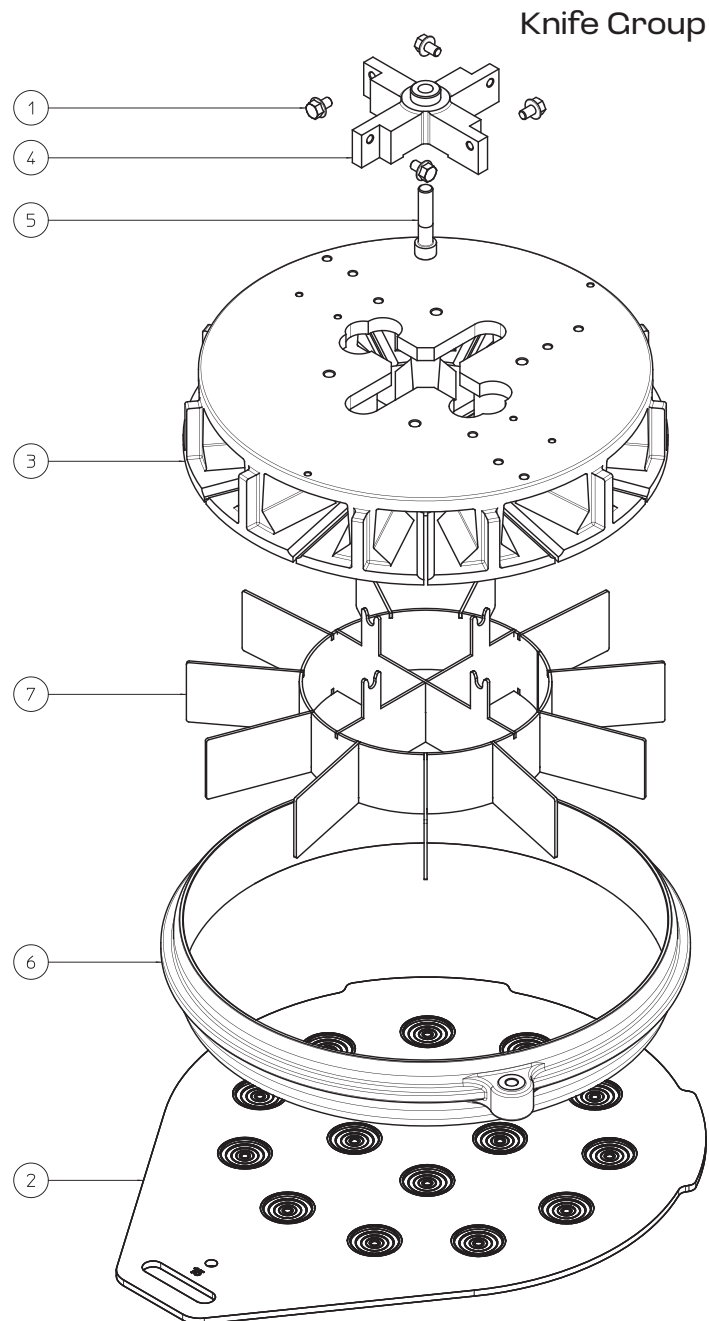
ITEM	MODEL
47580	BE-IT-0015A
47581	BE-IT-0030A
48580	BE-IT-0015A-1P
48581	BE-IT-0030A-1P

Electrical Box



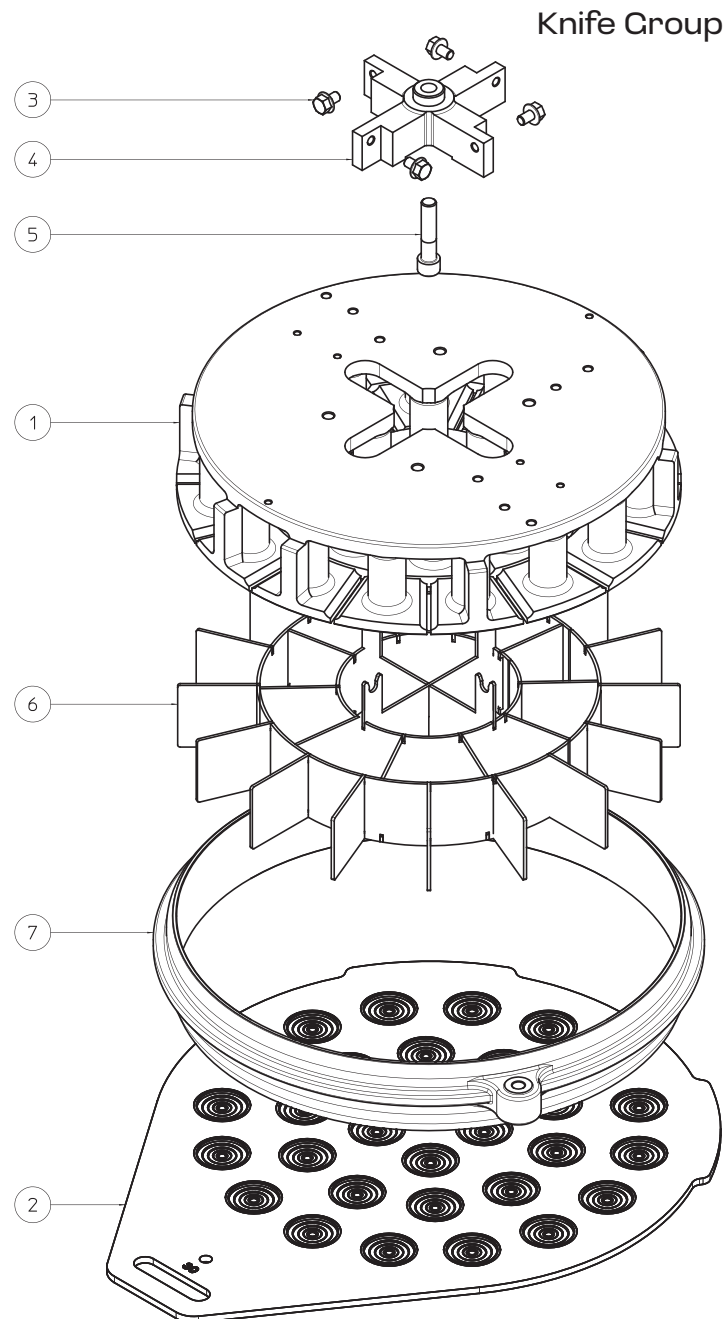
# PARTS BREAKDOWN

ITEM	MODEL
47580	BE-IT-0015A
48580	BE-IT-0015A-1P



## PARTS BREAKDOWN

ITEM	MODEL
47581	BE-IT-0030A
48581	BE-IT-0030A-1P



# PARTS BREAKDOWN

ITEM	MODEL
47580	BE-IT-0015A
47581	BE-IT-0030A

## Knife Support Group

Item No.	Description	Position	Item No.	Description	Position	Item No.	Description	Position
AM183	Nut M6 Inox for 47580, 47581	1	AM192	Automatic Head Support for 47580, 47581	10	AM201	Screw TCEI M6x30 Zinc. for 47580, 47581	19
AM184	Latch Insert KU 15 15 for 47580, 47581	2	AM193	Key 8x7x30mm for 47580, 47581	11	AM202	Head Stop for 47580, 47581	20
AM185	Screw STEI 6x50 Inox for 47580, 47581	3	AM194	Screw TCEI M10x30 Zinc. for 47580, 47581	12	AM203	SX Support for 47580, 47581	21
AM186	Selflocking Nut M6 Inox. for 47580, 47581	4	AM195	Screw STEI M6x6 for 47580, 47581	13	AM204	DX Support for 47580, 47581	22
AM187	Screw TE M6x25 Inox for 47580, 47581	5	AM196	Head Pin D.15x38 for 47580, 47581	14	AM205	Latch Insert KU 16 15 for 47580, 47581	23
AM188	Knob with Pusher M20x1.5 for 47580, 47581	6	AM197	Washer D.6 for 47580, 47581	15	AM206	Latch D.10x20 for 47580, 47581	24
AM189	Washer D.20 SP.4 for 47580, 47581	7	AM198	Nut M6 Zinc. for 47580, 47581	16	AM207	Knife Support Group for 47580, 47581	
AM190	Handle for 47580, 47581	8	AM199	Gas Spring D.6 C=100 for 47580, 47581	17			
AM191	Screw TCEI M8x30 Zinc. for 47580, 47581	9	AM200	Screw TCEI M6x20 Zinc. for 47580, 47581	18			

## Operate Ring Group

Item No.	Description	Position	Item No.	Description	Position	Item No.	Description	Position
AM208	Seeger Ring D.16 for 47580, 47581	1	AM211	Screw STEI M610 for 47580, 47581	8	AM216	Pin Ring Lever for 47580, 47581	15
AM209	Lift Ring Rod for 47580, 47581	2	AM185	Screw STEI M6x50 Inox for 47580, 47581	9	AM217	Plug D.8x30 for 47580, 47581	16
AM205	Latch Insert KU 16 15 for 47580, 47581	3	AM212	Sliding Shoe 12x12x45 for 47580, 47581	10	AM218	Screw TE M8x35 Inox for 47580, 47581	17
AM183	Nut M6 Inox for 47580, 47581	4	AM213	Lever Lift Ring for 47580, 47581	11	AM219	Selflocking Nut M8 Inox for 47580, 47581	18
AM210	Nut M8 Inox for 47580, 47581	5	AM214	Spring for 47580, 47581	12	AM220	Washer D.8 Inox for 47580, 47581	19
AM186	Selflocking Nut M6 Inox for 47580, 47581	7	AM215	Pin Lever Lift Ring for 47580, 47581	13	AM221	Operating Ring Group for 47580, 47581	

## PARTS BREAKDOWN

ITEM	MODEL
47580	BE-IT-0015A
47581	BE-IT-0030A

### Head Plate Group

Item No.	Description	Position	Item No.	Description	Position	Item No.	Description	Position
AM210	Nut M8 Inox for 47580, 47581	1	AM224	Latch Insert KU 20 15 for 47580, 47581	5	AM228	Rod Guide D.16x180 for 47580, 47581	9
AM220	Washer D.8 Inox for 47580, 47581	2	AM225	Screw TCEI M10x45 Inox for 47580, 47581	6	AM229	Screw TCEI M10x45 Zinc for 47580, 47581	10
AM222	Screw TE M8x30 Inox for 47580, 47581	3	AM226	Screw TCEI M8x20 Zinc for 47580, 47581	7	AM230	Head Plate Group for 47580, 47581	
AM223	Latch Insert KU 40 15 for 47580, 47581	4	AM227	Head Plate for 47580, 47581	8			

### Frame Group

Item No.	Description	Position	Item No.	Description	Position	Item No.	Description	Position
AM231	Nut M16 Zinc for 47580, 47581	1	AM235	Wheel D.80x30 Fix for 47580, 47581	5	AM239	Nut M8 Zinc for 47580, 47581	9
AM232	Washer D.16 Zinc for 47580, 47581	2	AM236	Automatic Head Plate for 47580, 47581	6	AM240	Screw TCEI M12x45 Zinc for 47580, 47581	10
AM233	Non-Slip Foot for 47580, 47581	3	AM237	Frame for 47580, 47581	7	AM241	Frame Group for 47580, 47581	
AM234	Screw TE M8x16 Zinc for 47580, 47581	4	AM238	Fixing Bracket for 47580, 47581	8			

### Casing Group

Item No.	Description	Position	Item No.	Description	Position	Item No.	Description	Position
AM242	Power Supply Panel for 47580, 47581	1	AM246	Lock for 47580, 47581	5	AM250	Screw TCBEI M6x12 Zinc for 47580, 47581	9
AM243	Removable Panel for 47580, 47581	2	AM247	Nut M6 Zinc for 47580, 47581	6	AM251	Casing Group for 47580, 47581	
AM244	Lateral Panel for 47580, 47581	3	AM248	Aluminum Rivet for 47580, 47581	7			
AM245	Angular Panel for 47580, 47581	4	AM249	Screw Poeliers M6x12 Zinc for 47580, 47581	8			

# PARTS BREAKDOWN

ITEM	MODEL
47580	BE-IT-0015A
47581	BE-IT-0030A

## Head Safety Group

Item No.	Description	Position	Item No.	Description	Position	Item No.	Description	Position
AM252	Head Cover for 47580, 47581	1	AM254	DX Bracket for 47580, 47581	4	AM257	Head Safety Group for 47580, 47581	
AM197	Washer D.16 Zinc for 47580, 47581	2	AM255	Screw TE M6x20 Zinc for 47580, 47581	5			
AM253	SX Bracket for 47580, 47581	3	AM256	Handwheel M8x16 for 47580, 47581	6			

## Rounding Safety Group

Item No.	Description	Position	Item No.	Description	Position	Item No.	Description	Position
AM220	Washer D.8 Inox for 47580, 47581	1	AM219	Selflocking Nut M8 Inox for 47580, 47581	9	AM187	Screw TE M6x25 Inox for 47580, 47581	17
AM183	Nut M6 Inox for 47580, 47581	2	AM262	Washer TTQ M5x16 Inox for 47580, 47581	10	AM269	Screw TE M6x45 Inox for 47580, 47581	18
AM197	Washer D.6 Zinc for 47580, 47581	3	AM263	Washer D.5 Inox for 47580, 47581	11	AM270	Screw TE M8x12 Inox for 47580, 47581	19
AM186	Selflocking Nut M6 Inox for 47580, 47581	4	AM264	Safety Protection Carter for 47580, 47581	12	AM271	Screw TCEI M6x30 Inox for 47580, 47581	20
AM258	SX Bracket for 47580, 47581	5	AM265	Frame Protection Carter for 47580, 47581	13	AM272	Screw TCBEI M6x8 Inox for 47580, 47581	21
AM259	DX Bracket for 47580, 47581	6	AM266	Washer for 47580, 47581	14	AM273	Rounding Safety Group for 47580, 47581	
AM260	Spring for 47580, 47581	7	AM267	Selflocking Nut M5 Inox for 47580, 47581	15			
AM261	Screw TCEI M6x25 Inox for 47580, 47581	8	AM268	Screw Poeliers M8x30 Inox for 47580, 47581	16			

## Roller Support Group

Item No.	Description	Position	Item No.	Description	Position	Item No.	Description	Position
AM274	Selflocking Nut M8 Inox for 47580, 47581	1	AM276	Screw TE M8x110 Inox for 47580, 47581	3	AM278	Roller for 47580, 47581	5
AM275	Roller Support for 47580, 47581	2	AM277	Screw TSPEI M6x12 Inox for 47580, 47581	4	AM279	Roller Support Group for 47580, 47581	



## PARTS BREAKDOWN

ITEM	MODEL
47580	BE-IT-0015A
47581	BE-IT-0030A

### Rounding Plate Group

Item No.	Description	Position	Item No.	Description	Position	Item No.	Description	Position
AM280	Pin for 47580, 47581	1	AM220	Washer D.8 Inox for 47580, 47581	5	AM287	Stopper for 47580, 47581	9
AM281	Seal OR 6200 for 47580, 47581	2	AM284	Stopper for 47580, 47581	6	AM288	Rounding Plate for 47580, 47581	10
AM282	Screw TSPEI M6x12 Zinc for 47580, 47581	3	AM285	Screw TE M8x45 Inox for 47580, 47581	7	AM289	Rounding Plate Group for 47580, 47581	
AM283	Ring for 47580, 47581	4	AM286	Screw TE M8x20 Inox for 47580, 47581	8			

### Automatic Pulley Group

Item No.	Description	Position	Item No.	Description	Position	Item No.	Description	Position
AM290	Screw TE M8x16 Zinc for 47580, 47581	1	AM298	Bearing NTN 6204 2RS for 47580, 47581	10	AM307	Bearing NTN 6009 2RS for 47580, 47581	19
AM291	Latch Insert KU 12 15 for 47580, 47581	2	AM299	Washer D.8x24 SP. 4 for 47580, 47581	11	AM308	Flange for Pulley for 47580, 47581	20
AM292	Bearing NTN 6205 2RS for 47580, 47581	3	AM300	Screw STEI M4x6 for 47580, 47581	12	AM309	Seeger Ring D.40 for 47580, 47581	21
AM293	Washer D.10x30 SP. 5 Zinc for 47580, 47581	4	AM301	Lower Pin D.8x23 for 47580, 47581	13	AM310	Latch Insert KU 25 20 for 47580, 47581	22
AM294	Cam Scrolling Flange for 47580, 47581	5	AM302	Latch Insert KU 08 08 for 47580, 47581	14	AM311	Pin Holder D.12x150 for 47580, 47581	23
AM295	Top Pin D.8x70 for 47580, 47581	6	AM303	Connecting Rod for 47580, 47581	15	AM312	Pulley for 47580, 47581	24
AM195	Screw STEI M6x6 for 47580, 47581	7	AM304	Seeger Ring D.47 for 47580, 47581	16	AM313	Screw TCEI M10x35 Zinc for 47580, 47581	25
AM296	Cam Control Pin for 47580, 47581	8	AM305	Cylinder Flange for 47580, 47581	17	AM314	Automatic Pulley Group for 47580, 47581	
AM297	Washer for 47580, 47581	9	AM306	Bearing NTN 6008 2RS for 47580, 47581	18			

# PARTS BREAKDOWN

ITEM	MODEL
47580	BE-IT-0015A
47581	BE-IT-0030A

## Sliding Trolley Group

Item No.	Description	Position	Item No.	Description	Position	Item No.	Description	Position
AM315	Sliding Trolley for 47580, 47581	1	AM197	Washer D.6 Zinc for 47580, 47581	4	AM320	Screw STEI M8x35 for 47580, 47581	7
AM316	Shoe Guide for 47580, 47581	2	AM318	Screw TCEI M6x16 Zinc for 47580, 47581	5	AM321	Sliding Trolley Group for 47580, 47581	
AM317	Sliding Sleeve with Spheres for 47580, 47581	3	AM319	Pin Holder for 47580, 47581	6			

## Motor Group

Item No.	Description	Position	Item No.	Description	Position	Item No.	Description	Position
AM322	Motor KW 0,55 6 POLI B3 220/380/60 UL/CSA Three Phases for 47580, 47581	1	AM326	Motor Fixing Shelf for 47580, 47581	5	AM299	Washer D.8x24 SP. 4 for 47580, 47581	9
AM323	Screw TE M8x25 Zinc for 47580, 47581	2	AM327	Threaded Bar M8x85 Zinc for 47580, 47581	6	AM329	Motor Group for 47580, 47581	
AM324	Motor Pin for 47580, 47581	3	AM328	Nut M8 Zinc for 47580, 47581	7			
AM325	Seeger Ring D.18 for 47580, 47581	4	AM239	Nut M8 Zinc for 47580, 47581	8			

## 60Hz Pulley Group

Item No.	Description	Position	Item No.	Description	Position
AM330	Belt A37 1/2 for 47580, 47581	1	AM331	Pulley 60x1A (60 Hz) for 47580, 47581	3
AM211	Screw STEI M6x10 for 47580, 47581	2	AM332	60Hz Pulley Group for 47580, 47581	

## PARTS BREAKDOWN

ITEM	MODEL
47580	BE-IT-0015A
47581	BE-IT-0030A

### Rounding Plate Group

Item No.	Description	Position	Item No.	Description	Position	Item No.	Description	Position
AM280	Pin for 47580, 47581	1	AM220	Washer D.8 Inox for 47580, 47581	5	AM287	Stopper for 47580, 47581	9
AM281	Seal OR 6200 for 47580, 47581	2	AM284	Stopper for 47580, 47581	6	AM288	Rounding Plate for 47580, 47581	10
AM282	Screw TSPEI M6x12 Zinc for 47580, 47581	3	AM285	Screw TE M8x45 Inox for 47580, 47581	7	AM289	Rounding Plate Group for 47580, 47581	
AM283	Ring for 47580, 47581	4	AM286	Screw TE M8x20 Inox for 47580, 47581	8			

### Hydraulic Group

Item No.	Description	Position	Item No.	Description	Position	Item No.	Description	Position
AM333	OR Seal 3106 for 47580, 47581	1	AM343	Motor Three Phases UL 230/3/60 for 47580, 47581	11	AM200	Screw TCEI M6x20 Zinc for 47580, 47581	22
AM334	Pump Mod. K1P D 15 G P199 for 47580, 47581	2	AM344	Hydraulic Body for 47580, 47581	13	AM353	Washer D.12 Zinc for 47580, 47581	23
AM335	Interface Block for 47580, 47581	3	AM345	Pipe R7 1/4" FD+FD L=700 for 47580, 47581	14	AM354	Locking Ring Nut for the Cutting Cylinder for 47580, 47581	24
AM336	Knife Block for 47580, 47581	4	AM346	Pipe R7 1/4" FD+COD. 10 90° L=450 for 47580, 47581	15	AM355	Locking Ring Nut for the Pressed Cylinder for 47580, 47581	25
AM337	Coil A0924VDC-27W M UL for 47580, 47581	5	AM347	Pipe R7 1/4" FD+COD. 10 45° L=500 for 47580, 47581	16	AM356	Flange for the Pressed Cylinder for 47580, 47581	26
AM338	Coil 24VDC-EC360 22W UL for 47580, 47581	6	AM348	Pipe R7 1/4" FD+FD L=600 for 47580, 47581	17	AM357	Flange for the Cutting Cylinder for 47580, 47581	27
AM339	Parallel Componible Distributor 3/8" for 47580, 47581	7	AM349	Pipe R7 1/4" FD+FD L=500 for 47580, 47581	18	AM358	Nut M12 Zinc for 47580, 47581	28
AM340	Parallel Componible Distributor 3/8" for 47580, 47581	8	AM350	Rounding Hydraulic Cylinder for 47580, 47581	19	AM359	Nut M12 Zinc for 47580, 47581	29
AM341	Parallel Componible Distributor 3/8" P-T Blind for 47580, 47581	9	AM351	Knife Hydraulic Cylinder for 47580, 47581	20	AM360	Rod for the Rounding Cylinder for 47580, 47581	30
AM342	Oil Tank for 47580, 47581	10	AM352	Press Hydraulic Cylinder for 47580, 47581	21	AM361	Block FU31 for 47580, 47581	31

# PARTS BREAKDOWN

ITEM	MODEL
47580	BE-IT-0015A
47581	BE-IT-0030A

## Electrical Group

Item No.	Description	Position	Item No.	Description	Position	Item No.	Description	Position
AM200	Screw TCEI M6x20 Zinc for 47580, 47581	1	AM369	Emergency Stop Button for 47580, 47581	9	AM377	Power Supply Cover for 47580, 47581	17
AM362	Fixing Plate for 47580, 47581	2	AM370	Emergency Stop Button Support for 47580, 47581	10	AM378	PLC Board Panel for 47580, 47581	18
AM363	Switches Cover for 47580, 47581	3	AM371	Control Panel Plate for 47580, 47581	11	AM379	Painted Steel Electrical Box (UL) for 47580, 47581	19
AM364	Switches for 47580, 47581	4	AM372	Serigraphy for 47580, 47581	12	AM380	Micro Switch for 47580, 47581	20
AM365	Nut M4 Zinc for 47580, 47581	5	AM373	Washer D.4 for 47580, 47581	13	AM381	Switches Cover for 47580, 47581	21
AM366	Control Panel Rear Cover for 47580, 47581	6	AM374	Nut M4 Inox for 47580, 47581	14	AM382	Limit Micro Switch for 47580, 47581	22
AM367	Green Start Button Support for 47580, 47581	7	AM375	Screw TCBEI M4x30 Inox for 47580, 47581	15	AM383	Electrical Connector CNT 182 PG09 H12 for 47580, 47581	23
AM368	Green Start Button for 47580, 47581	8	AM376	Main Switch for 47580, 47581	16			

## Electrical Box

Item No.	Description	Position	Item No.	Description	Position
AM384	PC Board for Automatic Divider Rounder for 47580, 47581	1	AM386	Thermal Overload 3.7/5.5 A - 230 V 3 PH for 47580, 47581	3
AM385	Contactora for 47580, 47581	2	AM379	Painted Steel Electrical Box (UL) for 47580, 47581	4

## PARTS BREAKDOWN

ITEM	MODEL
47580	BE-IT-0015A

### Knife Group

Item No.	Description	Position	Item No.	Description	Position	Item No.	Description	Position
AM387	Screw TE M8x12 Zinc for 47580	1	AM390	Support for 47580	4	AM393	Knife 15 Div. for 47580	7
AM388	Plate 15 Div. for 47580	2	AM391	Screw TCEI M12x50 Zinc for 47580	5	AM394	15 Div. Knife Group for 47580	
AM389	Head 15 Div. for 47580	3	AM392	Head Ring D.400 for 47580	6			

ITEM	MODEL
47581	BE-IT-0030A

### Knife Group

Item No.	Description	Position	Item No.	Description	Position	Item No.	Description	Position
AM395	Head 30 Div. for 47581	1	AM390	Support for 47581	4	AM392	Head Ring D.400 for 47581	7
AM396	Plate 30 Div. for 47581	2	AM391	Screw TCEI M12x50 Zinc for 47581	5	AM398	30 Div. Knife Group for 47581	
AM387	Screw TE M8x12 Zinc for 47581	3	AM397	Knife 30 Div. for 47581	6			

# PARTS BREAKDOWN

ITEM	MODEL
48580	BE-IT-0015A-1P
48581	BE-IT-0030A-1P

## Knife Support Group

Item No.	Description	Position	Item No.	Description	Position	Item No.	Description	Position
AM183	Nut M6 Inox for 48580, 48581	1	AM192	Automatic Head Support for 48580, 48581	10	AM201	Screw TCEI M6x30 Zinc for 48580, 48581	19
AM184	Latch Insert KU 15 15 for 48580, 48581	2	AM193	Key 8x7x30mm for 48580, 48581	11	AM202	Head Stop for 48580, 48581	20
AM185	Screw STEI 6x50 Inox for 48580, 48581	3	AM194	Screw TCEI M10x30 Zinc for 48580, 48581	12	AM203	SX Support for 48580, 48581	21
AM186	Selflocking Nut M6 Inox for 48580, 48581	4	AM195	Screw STEI M6x6 for 48580, 48581	13	AM204	DX Support for 48580, 48581	22
AM187	Screw TE M6x25 Inox for 48580, 48581	5	AM196	Head Pin D.15x38 for 48580, 48581	14	AM205	Latch Insert KU 16 15 for 48580, 48581	23
AM188	Knob with Pusher M20x1.5 for 48580, 48581	6	AM197	Washer D.6 for 48580, 48581	15	AM206	Latch D.10x20 for 48580, 48581	24
AM189	Washer D.20 SP.4 for 48580, 48581	7	AM198	Nut M6 Zinc for 48580, 48581	16	AM207	Knife Support Group for 48580, 48581	
AM190	Handle for 48580, 48581	8	AM199	Gas Spring D.6 C=100 for 48580, 48581	17			
AM191	Screw TCEI M8x30 Zinc. for 48580, 48581	9	AM200	Screw TCEI M6x20 Zinc for 48580, 48581	18			

## Operate Ring Group

Item No.	Description	Position	Item No.	Description	Position	Item No.	Description	Position
AM208	Seeger Ring D.16 for 48580, 48581	1	AM211	Screw STEI M610 for 48580, 48581	8	AM216	Pin Ring Lever for 48580, 48581	15
AM209	Lift Ring Rod for 48580, 48581	2	AM185	Screw STEI M6x50 Inox for 48580, 48581	9	AM217	Plug D.8x30 for 48580, 48581	16
AM205	Latch Insert KU 16 15 for 48580, 48581	3	AM212	Sliding Shoe 12x12x45 for 48580, 48581	10	AM218	Screw TE M8x35 Inox for 48580, 48581	17
AM183	Nut M6 Inox for 48580, 48581	4	AM213	Lever Lift Ring for 48580, 48581	11	AM219	Selflocking Nut M8 Inox for 48580, 48581	18
AM210	Nut M8 Inox for 48580, 48581	5	AM214	Spring for 48580, 48581	12	AM220	Washer D.8 Inox for 48580, 48581	19
AM186	Selflocking Nut M6 Inox for 48580, 48581	7	AM215	Pin Lever Lift Ring for 48580, 48581	13	AM221	Operating Ring Group for 48580, 48581	

## PARTS BREAKDOWN

ITEM	MODEL
48580	BE-IT-0015A-1P
48581	BE-IT-0030A-1P

### Head Plate Group

Item No.	Description	Position	Item No.	Description	Position	Item No.	Description	Position
AM210	Nut M8 Inox for 48580, 48581	1	AM224	Latch Insert KU 20 15 for 48580, 48581	5	AM228	Rod Guide D.16x180 for 48580, 48581	9
AM220	Washer D.8 Inox for 48580, 48581	2	AM225	Screw TCEI M10x45 Inox for 48580, 48581	6	AM229	Screw TCEI M10x45 Zinc for 48580, 48581	10
AM222	Screw TE M8x30 Inox for 48580, 48581	3	AM226	Screw TCEI M8x20 Zinc for 48580, 48581	7	AM230	Head Plate Group for 48580, 48581	
AM223	Latch Insert KU 40 15 for 48580, 48581	4	AM227	Head Plate for 48580, 48581	8			

### Frame Group

Item No.	Description	Position	Item No.	Description	Position	Item No.	Description	Position
AM231	Nut M16 Zinc for 48580, 48581	1	AM235	Wheel D.80x30 for 48580, 48581	5	AM239	Nut M8 Zinc for 48580, 48581	9
AM232	Washer D.16 Zinc for 48580, 48581	2	AM236	Automatic Head Plate for 48580, 48581	6	AM240	Screw TCEI M12x45 Zinc for 48580, 48581	10
AM233	Non-Slip Foot for 48580, 48581	3	AM237	Frame for 48580, 48581	7	AM241	Frame Group for 48580, 48581	
AM234	Screw TE M8x16 for 48580, 48581	4	AM238	Fixing Bracket for 48580, 48581	8			

### Casing Group

Item No.	Description	Position	Item No.	Description	Position	Item No.	Description	Position
AM242	Power Supply Panel for 48580, 48581	1	AM246	Lock for 48580, 48581	5	AM250	Screw TCBEI M6x12 Zinc for 48580, 48581	9
AM243	Removable Panel for 48580, 48581	2	AM247	Nut M6 Zinc for 48580, 48581	6	AM251	Casing Group for 48580, 48581	
AM244	Lateral Panel for 48580, 48581	3	AM248	Aluminum Rivet for 48580, 48581	7			
AM245	Angular Panel for 48580, 48581	4	AM249	Screw Poeliers M6x12 Zinc for 48580, 48581	8			

# PARTS BREAKDOWN

ITEM	MODEL
48580	BE-IT-0015A-1P
48581	BE-IT-0030A-1P

## Head Safety Group

Item No.	Description	Position	Item No.	Description	Position	Item No.	Description	Position
AM252	Head Cover for 48580, 48581	1	AM254	DX Bracket for 48580, 48581	4	AM257	Head Safety Group for 48580, 48581	
AM197	Washer D.16 Zinc for 48580, 48581	2	AM255	Screw TE M6x20 Zinc for 48580, 48581	5			
AM253	SX Bracket for 48580, 48581	3	AM256	Handwheel M8x16 for 48580, 48581	6			

## Rounding Safety Group

Item No.	Description	Position	Item No.	Description	Position	Item No.	Description	Position
AM220	Washer D.8 Inox for 48580, 48581	1	AM219	Selflocking Nut M8 Inox for 48580, 48581	9	AM187	Screw TE M6x25 Inox for 48580, 48581	17
AM183	Nut M6 Inox for 48580, 48581	2	AM262	Washer TTQ M5x16 Inox for 48580, 48581	10	AM269	Screw TE M6x45 Inox for 48580, 48581	18
AM197	Washer D.6 Zinc for 48580, 48581	3	AM263	Washer D.5 Inox for 48580, 48581	11	AM270	Screw TE M8x12 Inox for 48580, 48581	19
AM186	Selflocking Nut M6 Inox for 48580, 48581	4	AM264	Safety Protection Carter for 48580, 48581	12	AM271	Screw TCEI M6x30 Inox for 48580, 48581	20
AM258	SX Bracket for 48580, 48581	5	AM265	Frame Protection Carter for 48580, 48581	13	AM272	Screw TCBEI M6x8 Inox for 48580, 48581	21
AM259	DX Bracket for 48580, 48581	6	AM266	Washer for 48580, 48581	14	AM273	Rounding Safety Group for 48580, 48581	
AM260	Spring for 48580, 48581	7	AM267	Selflocking Nut M5 Inox for 48580, 48581	15			
AM261	Screw TCEI M6x25 Inox for 48580, 48581	8	AM268	Screw Poeliers M8x30 Inox for 48580, 48581	16			

## Roller Support Group

Item No.	Description	Position	Item No.	Description	Position	Item No.	Description	Position
AM274	Selflocking Nut M8 Inox for 48580, 48581	1	AM276	Screw TE M8x110 Inox for 48580, 48581	3	AM278	Roller for 48580, 48581	5
AM275	Roller Support for 48580, 48581	2	AM277	Screw TSPEI M6x12 Inox for 48580, 48581	4	AM279	Roller Support Group for 48580, 48581	



## PARTS BREAKDOWN

ITEM	MODEL
48580	BE-IT-0015A-1P
48581	BE-IT-0030A-1P

### Rounding Plate Group

Item No.	Description	Position	Item No.	Description	Position	Item No.	Description	Position
AM280	Pin for 48580, 48581	1	AM220	Washer D.8 Inox for 48580, 48581	5	AM287	Stopper for 48580, 48581	9
AM281	Seal OR 6200 for 48580, 48581	2	AM284	Stopper for 48580, 48581	6	AM288	Rounding Plate for 48580, 48581	10
AM282	Screw TSPEI M6x12 Zinc for 48580, 48581	3	AM285	Screw TE M8x45 Inox for 48580, 48581	7	AM289	Rounding Plate Group for 48580, 48581	
AM283	Ring for 48580, 48581	4	AM286	Screw TE M8x20 Inox for 48580, 48581	8			

### Automatic Pulley Group

Item No.	Description	Position	Item No.	Description	Position	Item No.	Description	Position
AM290	Screw TE M8x16 Zinc for 48580, 48581	1	AM298	Bearing NTN 6204 2RS for 48580, 48581	10	AM307	Bearing NTN 6009 2RS for 48580, 48581	19
AM291	Latch Insert KU 12 15 for 48580, 48581	2	AM299	Washer D.8x24 SP. 4 for 48580, 48581	11	AM308	Flange for Pulley for 48580, 48581	20
AM292	Bearing NTN 6205 2RS for 48580, 48581	3	AM300	Screw STEI M4x6 for 48580, 48581	12	AM309	Seeger Ring D.40 for 48580, 48581	21
AM293	Washer D.10x30 SP. 5 Zinc for 48580, 48581	4	AM301	Lower Pin D.8x23 for 48580, 48581	13	AM310	Latch Insert KU 25 20 for 48580, 48581	22
AM294	Cam Scrolling Flange for 48580, 48581	5	AM302	Latch Insert KU 08 08 for 48580, 48581	14	AM311	Pin Holder D.12x150 for 48580, 48581	23
AM295	Top Pin D.8x70 for 48580, 48581	6	AM303	Connecting Rod for 48580, 48581	15	AM312	Pulley for 48580, 48581	24
AM195	Screw STEI M6x6 for 48580, 48581	7	AM304	Seeger Ring D.47 for 48580, 48581	16	AM313	Screw TCEI M10x35 Zinc for 48580, 48581	25
AM296	Cam Control Pin for 48580, 48581	8	AM305	Cylinder Flange for 48580, 48581	17	AM314	Automatic Pulley Group for 48580, 48581	
AM297	Washer for 48580, 48581	9	AM306	Bearing NTN 6008 2RS for 48580, 48581	18			

# PARTS BREAKDOWN

ITEM	MODEL
48580	BE-IT-0015A-1P
48581	BE-IT-0030A-1P

## Sliding Trolley Group

Item No.	Description	Position	Item No.	Description	Position	Item No.	Description	Position
AM315	Sliding Trolley for 48580, 48581	1	AM197	Washer D.6 Zinc for 48580, 48581	4	AM320	Screw STEI M8x35 for 48580, 48581	7
AM316	Shoe Guide for 48580, 48581	2	AM318	Screw TCEI M6x16 Zinc for 48580, 48581	5	AM321	Sliding Trolley Group for 48580, 48581	
AM317	Sliding Sleeve with Spheres for 48580, 48581	3	AM319	Pin Holder for 48580, 48581	6			

## Motor Group

Item No.	Description	Position	Item No.	Description	Position	Item No.	Description	Position
AN651	Motor KW 0,45 6 Poli B3 220/60 UL/CSA Mono Phases for 48580, 48581	1	AM326	Motor Fixing Shelf for 48580, 48581	5	AM299	Washer D.8x24 SP. 4 for 48580, 48581	9
AM323	Screw TE M8x25 Zinc for 48580, 48581	2	AM327	Threaded Bar M8x85 Zinc for 48580, 48581	6	AM329	Motor Group for 48580, 48581	
AM324	Motor Pin for 48580, 48581	3	AM328	Nut M8 Zinc for 48580, 48581	7			
AM325	Seeger Ring D.18 for 48580, 48581	4	AM239	Nut M8 Zinc for 48580, 48581	8			

## 60 Hz Pulley Group

Item No.	Description	Position	Item No.	Description	Position
AM330	Belt A37 1/2 for 48580, 48581	1	AM331	Pulley 60x1A (60 Hz) for 48580, 48581	3
AM211	Screw STEI M6x10 for 48580, 48581	2	AM332	60Hz Pulley Group for 48580, 48581	

## PARTS BREAKDOWN

ITEM	MODEL
48580	BE-IT-0015A-1P
48581	BE-IT-0030A-1P

### Hydraulic Group

Item No.	Description	Position	Item No.	Description	Position	Item No.	Description	Position
AM333	OR Seal 3106 for 48580, 48581	1	AN653	Motor Monophase UL 230/1/60 for 48580, 48581	11	AM200	Screw TCEI M6x20 Zinc for 48580, 48581	22
AN652	Pump Mod. "T" PHC 1-6,0xMC (Motor Monophase) for 48580, 48581	2	AM344	Hydraulic Body for 48580, 48581	13	AM353	Washer D.12 Zinc for 48580, 48581	23
AM335	Interface Block for 48580, 48581	3	AM345	Pipe R7 1/4" FD+FD L=700 for 48580, 48581	14	AM354	Locking Ring Nut for the Cutting Cylinder for 48580, 48581	24
AM336	Knife Block for 48580, 48581	4	AM346	Pipe R7 1/4" FD+COD. 10 90° L=450 for 48580, 48581	15	AM355	Locking Ring Nut for the Pressed Cylinder for 48580, 48581	25
AM337	Coil A0924VDC-27W M UL for 48580, 48581	5	AM347	Pipe R7 1/4" FD+COD. 10 45° L=500 for 48580, 48581	16	AM356	Flange for the Pressed Cylinder for 48580, 48581	26
AM338	Coil 24VDC-EC360 22W UL for 48580, 48581	6	AM348	Pipe R7 1/4" FD+FD L=600 for 48580, 48581	17	AM357	Flange for the Cutting Cylinder for 48580, 48581	27
AM339	Parallel Componible Distributor 3/8" for 48580, 48581	7	AM349	Pipe R7 1/4" FD+FD L=500 for 48580, 48581	18	AM358	Nut M12 Zinc for 48580, 48581	28
AM340	Parallel Componible Distributor 3/8" for 48580, 48581	8	AM350	Rounding Hydraulic Cylinder for 48580, 48581	19	AM359	Nut M12 Zinc for 48580, 48581	29
AM341	Parallel Componible Distributor 3/8" P-T Blind for 48580, 48581	9	AM351	Knife Hydraulic Cylinder for 48580, 48581	20	AM360	Rod for the Rounding Cylinder for 48580, 48581	30
AM342	Oil Tank for 48580, 48581	10	AM352	Press Hydraulic Cylinder for 48580, 48581	21	AM361	Block FU31 for 48580, 48581	31

# PARTS BREAKDOWN

ITEM	MODEL
48580	BE-IT-0015A-1P
48581	BE-IT-0030A-1P

## Electrical Group

Item No.	Description	Position	Item No.	Description	Position	Item No.	Description	Position
AM200	Screw TCEI M6x20 Zinc for 48580, 48581	1	AM369	Emergency Stop Button for 48580, 48581	9	AM377	Power Supply Cover for 48580, 48581	17
AM362	Fixing Plate for 48580, 48581	2	AM370	Emergency Stop Button Support for 48580, 48581	10	AM378	PLC Board Panel for 48580, 48581	18
AM363	Switches Cover for 48580, 48581	3	AM371	Control Panel Plate for 48580, 48581	11	AM379	Painted Steel Electrical Box (UL) for 48580, 48581	19
AM364	Switches for 48580, 48581	4	AM372	Serigraphy for 48580, 48581	12	AM380	Micro Switch for 48580, 48581	20
AM365	Nut M4 Zinc for 48580, 48581	5	AM373	Washer D.4 for 48580, 48581	13	AM381	Switches Cover for 48580, 48581	21
AM366	Control Panel Rear Cover for 48580, 48581	6	AM374	Nut M4 Inox for 48580, 48581	14	AM382	Limit Micro Switch for 48580, 48581	22
AM367	Green Start Button Support for 48580, 48581	7	AM375	Screw TCBEI M4x30 Inox for 48580, 48581	15	AM383	Electrical Connector CNT 182 PG09 H12 for 48580, 48581	23
AM368	Green Start Button for 48580, 48581	8	AM376	Main Switch for 48580, 48581	16			

## Electrical Box

Item No.	Description	Position	Item No.	Description	Position
AM384	PC Board for Automatic Divider Rounder for 48580, 48581	1	AN654	Thermal Overload 5,5/8 A - 230 V 1 PH for 48580, 48581	3
AM385	Contactora for 48580, 48581	2	AM379	Painted Steel Electrical Box (UL) for 48580, 48581	4

## PARTS BREAKDOWN

ITEM	MODEL
48580	BE-IT-0015A-1P

### Knife Group

Item No.	Description	Position	Item No.	Description	Position	Item No.	Description	Position
AM387	Screw TE M8x12 Zinc for 48580	1	AM390	Support for 48580	4	AM393	Knife 15 Div. for 48580	7
AM388	Plate 15 Div. for 48580	2	AM391	Screw TCEI M12x50 Zinc for 48580	5	AM394	15 Div. Knife Group for 48580	
AM389	Head 15 Div. for 48580	3	AM392	Head Ring D.400 for 48580	6			

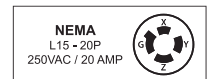
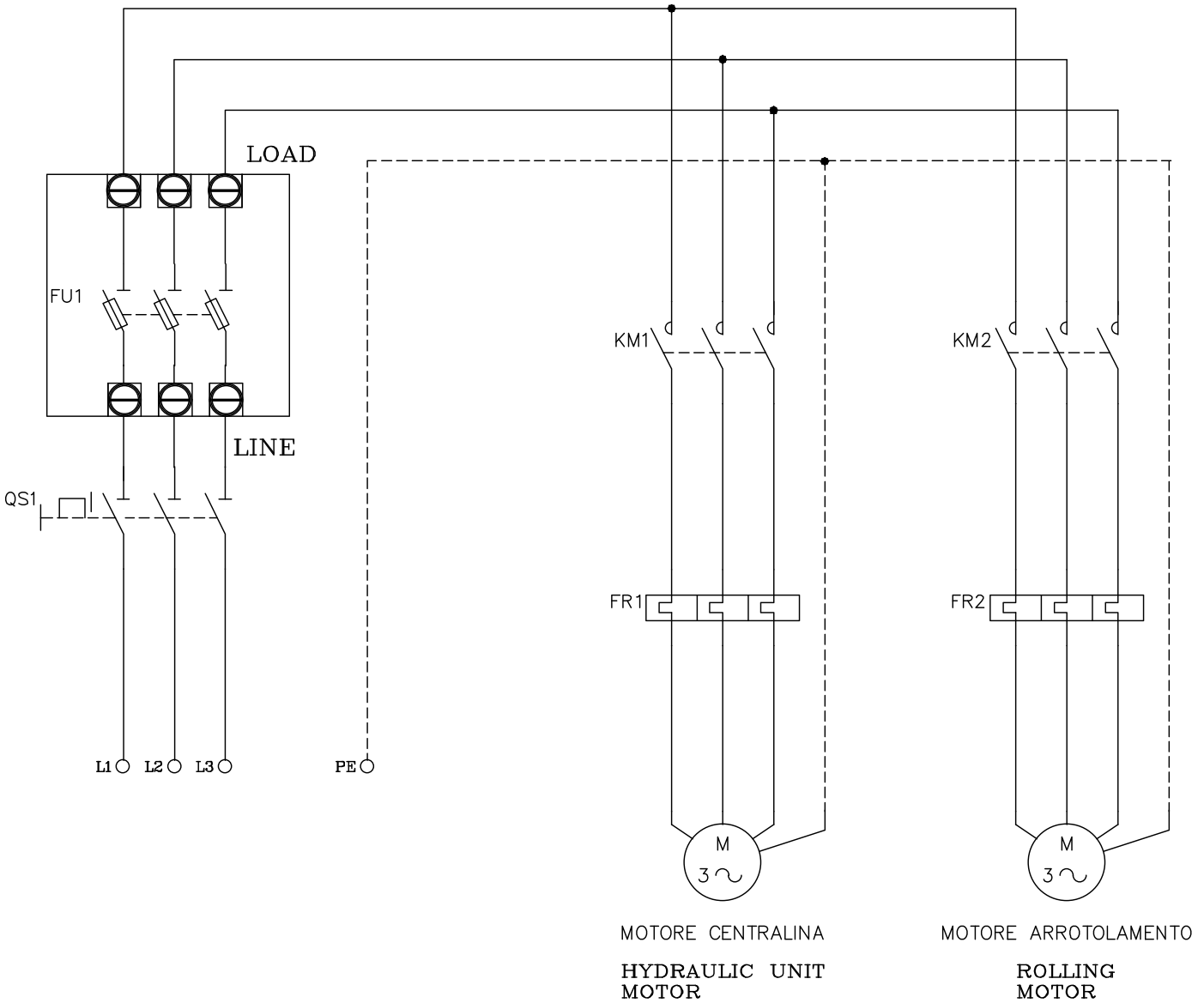
ITEM	MODEL
48581	BE-IT-0030A-1P

### Knife Group

Item No.	Description	Position	Item No.	Description	Position	Item No.	Description	Position
AM395	Head 30 Div. for 48581	1	AM390	Support for 48581	4	AM392	Head Ring D.400 for 48581	7
AM396	Plate 30 Div. for 48581	2	AM391	Screw TCEI M12x50 Zinc for 48581	5	AM398	30 Div. Knife Group for 48581	
AM387	Screw TE M8x12 Zinc for 48581	3	AM397	Knife 30 Div. for 48581	6			

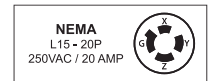
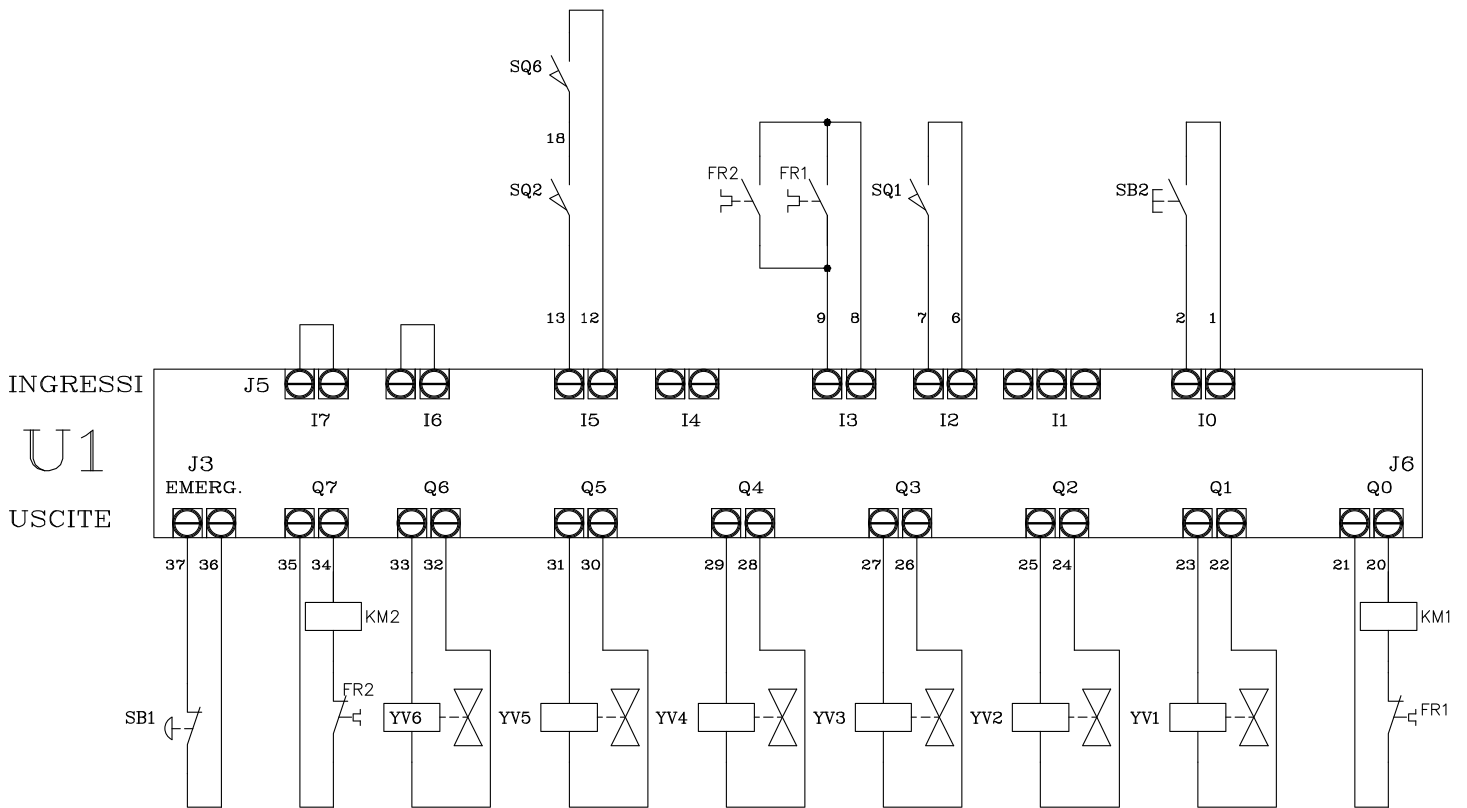
# ELECTRICAL SCHEMATICS

ITEM	MODEL
47580	BE-IT-0015A
47581	BE-IT-0030A



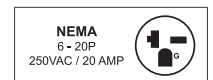
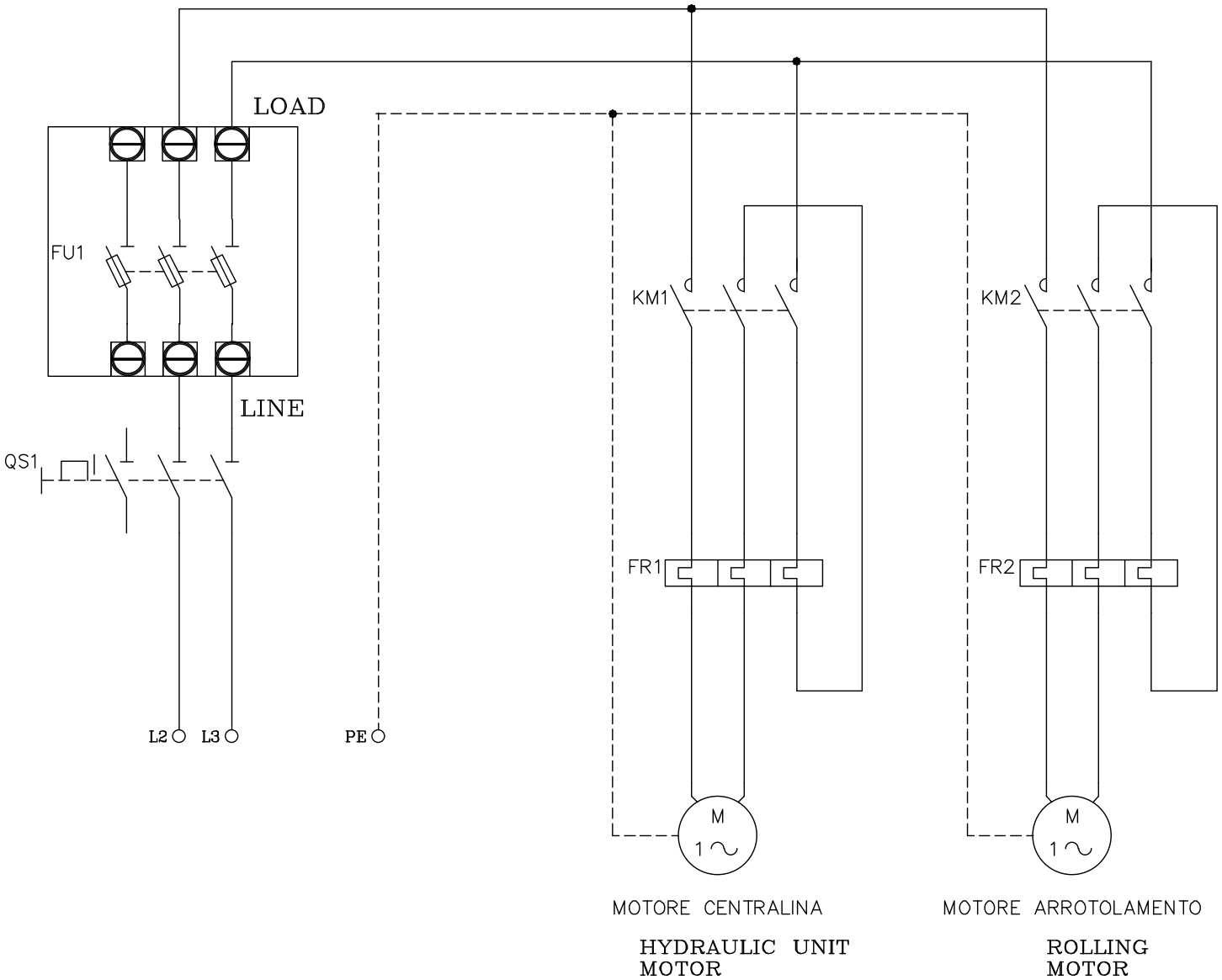
# ELECTRICAL SCHEMATICS

ITEM	MODEL
47580	BE-IT-0015A
47581	BE-IT-0030A



# ELECTRICAL SCHEMATICS

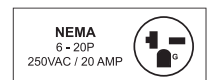
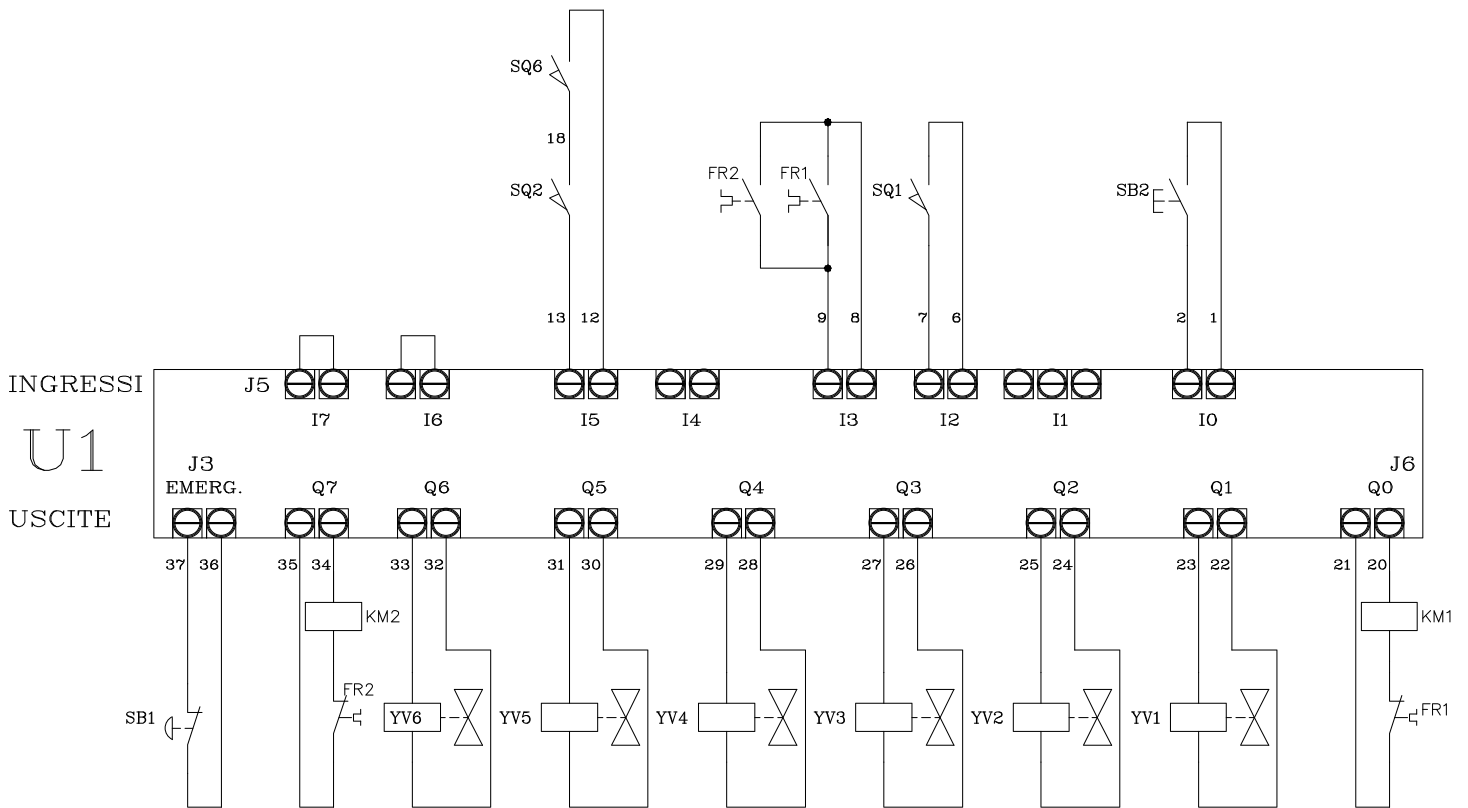
ITEM	MODEL
48580	BE-IT-0015A-1P
48581	BE-IT-0030A-1P





# ELECTRICAL SCHEMATICS

ITEM	MODEL
48580	BE-IT-0015A-1P
48581	BE-IT-0030A-1P





# WARRANTY REGISTRATION

Thank you for purchasing an Trento product. To register your warranty for this product, complete the information below, tear off the card at the perforation and then send to the address specified below. You can also register online by visiting:

Merci d'avoir acheté un produit Trento. Pour enregistrer votre garantie pour ce produit, complétez les informations ci-dessous, détachez la carte au niveau de la perforation, puis l'envoyer à l'adresse spécifiée ci-dessous. Vous pouvez également vous inscrire en ligne en visitant:

Gracias por comprar un producto Trento usted. Para registrar su garantía para este producto, complete la información a continuación, cortar la tarjeta en la perforación y luego enviarlo a la dirección indicada a continuación. También puede registrarse en línea en:

**<https://omcan.com/warranty-registration/>**

**For mailing in Canada**

**Pour postale au Canada**

**Por correo en Canadá**

**TRENTO**

PRODUCT WARRANTY REGISTRATION

3115 Pepper Mill Court,  
Mississauga, Ontario  
Canada, L5L 4X5

**For mailing in the US**

**Pour diffusion aux États-Unis**

**Por correo en los EE.UU.**

**TRENTO**

PRODUCT WARRANTY REGISTRATION

4450 Witmer Industrial Estates, Unit 4,  
Niagara Falls, New York  
USA, 14305

**or email to: [trentoservice@trentoequipment.com](mailto:trentoservice@trentoequipment.com)**



Purchaser's Information

Name: \_\_\_\_\_

Address: \_\_\_\_\_

City: \_\_\_\_\_ Province or State: \_\_\_\_\_ Postal or Zip: \_\_\_\_\_

Country: \_\_\_\_\_

Dealer from which Purchased: \_\_\_\_\_

Dealer City: \_\_\_\_\_ Dealer Province or State: \_\_\_\_\_

Invoice: \_\_\_\_\_

Model Name: \_\_\_\_\_ Model Number: \_\_\_\_\_

Machine Description: \_\_\_\_\_

Date of Purchase (MM/DD/YYYY): \_\_\_\_\_

Would you like to extend the warranty?  Yes  No

Company Name: \_\_\_\_\_

Telephone: \_\_\_\_\_

Email Address: \_\_\_\_\_

Type of Company:

Restaurant  Bakery  Deli

Butcher  Supermarket  Caterer

Institution (specify): \_\_\_\_\_

Other (specify): \_\_\_\_\_

Serial Number: \_\_\_\_\_

Date of Installation (MM/DD/YYYY): \_\_\_\_\_

**Thank you for choosing Trento | Merci d'avoir choisi Trento | Gracias por elegir Trento**

# TRENTO

ELEVATING CULINARY EXCELLENCE

TRENTO IS A SIGNATURE LINE OF PROFESSIONAL  
RESTAURANT EQUIPMENT FROM OMCAN  
OFFERING PREMIUM EUROPEAN BRANDS TO THE  
NORTH AMERICAN MARKET.

Thank you for your purchase!



Follow us on social media  
@trentoequipment

