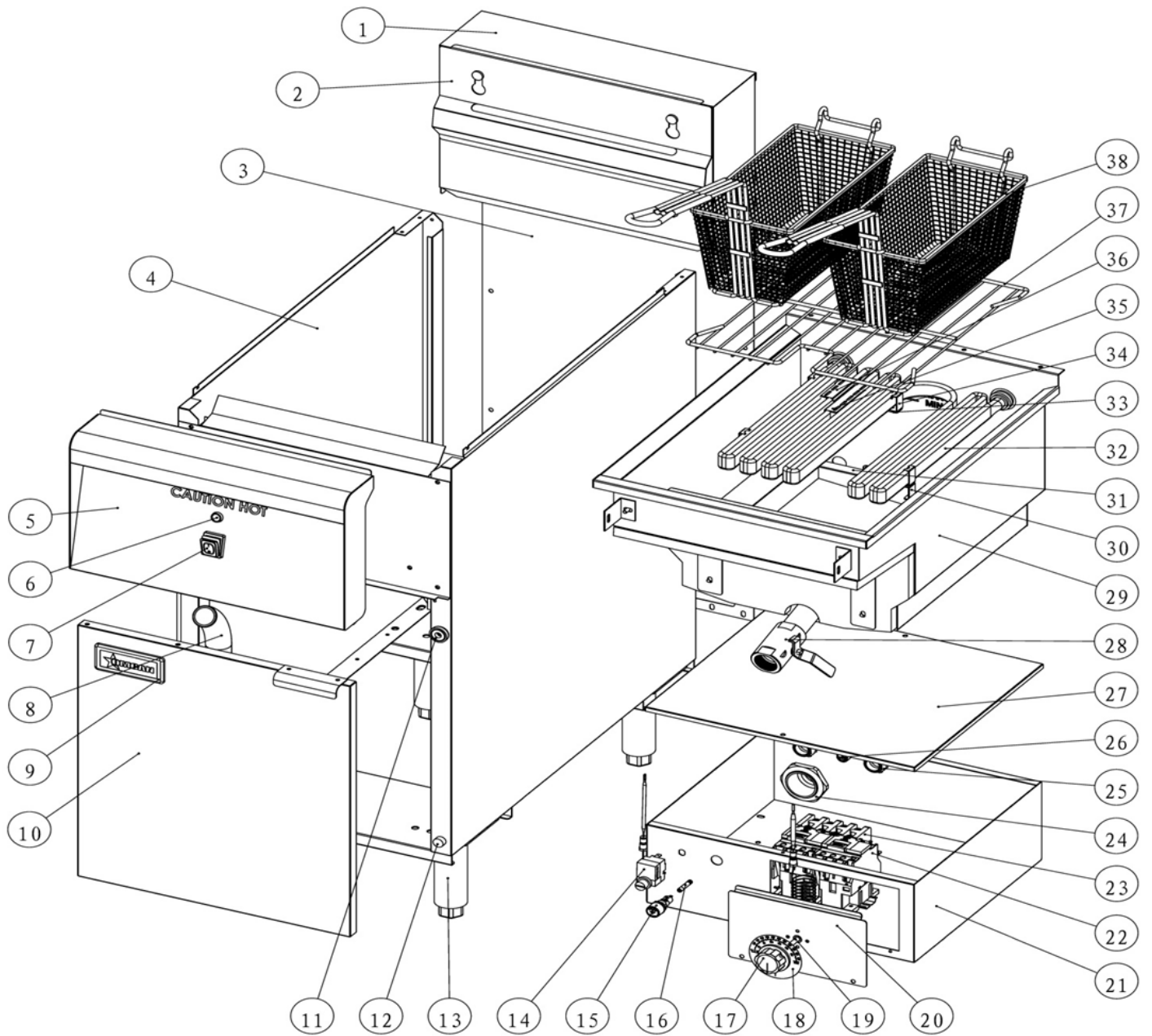


Parts Breakdown

Model CE-CN-0040-208-3 47331



Parts Breakdown

Model CE-CN-0040-208-3 47331

Item No.	Description	Position	Item No.	Description	Position	Item No.	Description	Position
AD706	Rear Coaming Assembly for 47331	1	AD719	Temperature Limiter for 47331	14	AD732	Electrical Box Cover Plate for 47331	27
AD707	Basket Hanger for 47331	2	AD720	Fuse Base for 47331	15	AD733	Drain Valve for 47331	28
AD708	Back Plate for 47331	3	AD721	Fuse for 47331	16	AD734	Oil Tank Assembly for 47331	29
AD709	Frame Assembly for 47331	4	AD722	Control Knob for 47331	17	AD735	Heater Supporting Plate for 47331	30
AD710	Front Decoration Plate for 47331	5	AD723	Dial Plate for 47331	18	AD736	Heater Connecting Plate B for 47331	31
AD711	Working Indicator for 47331	6	AD724	Thermostat for 47331	19	AI556	Heating Element for 47331	32
AD712	Power Switch for 47331	7	AD725	Thermostat Mounting Plate for 47331	20	AD738	Heater Connecting Plate A for 47331	33
AD713	Oil Drain Extension Pipe for 47331	8	AD726	Electrical Box for 47331	21	AD739	Heater Fixation Plate for 47331	34
AD714	Omcan Logo for 47331	9	AD727	AC Contactor for 47331	22	AD740	Hi-Limit Sensor Fixation Plate for 47331	35
AD715	Door Assembly for 47331	10	AD728	Terminal Block for 47331	23	AC986	Temperature Sensor Fixation Plate for 47331	36
AD716	Door Magnet for 47331	11	AD729	Power Cord Bracket for 47331	24	AC987	Basket Mesh for 47331	37
AD717	Door Column for 47331	12	AD730	Connector for 47331	25	AC988	Basket for 47331	38
AD718	Adjustable Leg for 47331	13	AD731	Power Cord Sheath for 47331	26			