



REFRIGERATION

SERVING THE FOOD INDUSTRY SINCE 1951

52L BLACK COUNTERTOP DISPLAY REFRIGERATOR

Item: 44496 | Model: RS-CN-0052

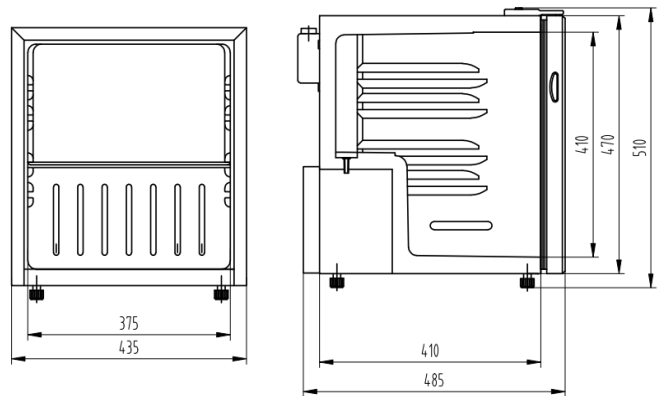
SHOW OFF YOUR PRODUCTS WITH OMCAN'S COUNTERTOP DISPLAY REFRIGERATOR

TECHNICAL SPECIFICATIONS

Item	44496
Model	RS-CN-0052
Capacity	52L
Power	80 W
Power Consumption	0.8 Kw.h/24 h
Temperatre Range	0 - 10°C 32 - 50°F
Max. Ambient Temperature	32°C 89.6°F
Refrigerant	R600A
Defrosting	Manual
Temperature Controller	Manual Controller
No.of Shelves	1 Pc.
Shelf Material	Metal
Shelf Capacity	33 lbs 15kg
Shelf Dimenisons	14.8" x 9.3" 376 x 235 mm
Electrical	110V / 60Hz
Interior Dimensions (DWH)	14.5" x 14.8" x 16.2" 368 x 376 x 411 mm
Exterior Dimensions (DWH)	19" x 17" x 20" 485 x 435 x 510 mm
Gross Dimensions (DWH)	22.9" x 20.5" x 22" 581 x 521 x 559 mm
Net Weight	43 lbs 19.5 kg
Gross Weight	47.4 lbs 21.5 kg



TECHNICAL DRAWINGS & DIMENSIONS



*measurements in diagrams are in mm



WARRANTY
PARTS AND LABOR



Authorized Dealer