

10"/12"/14"/14.5" Blades Volano Manual Meat Slicers

ITEM: 20013 13634 13639 18830 26072 26073 26074 20387
MODEL: MS-IT-0250-M MS-IT-0300-M MS-IT-0350-M MS-IT-0370-M MS-IT-0250-MF MS-IT-0300-MF MS-IT-0350-MF MS-IT-0370-MF



Built for durability and consistent slicing

Ideal for prosciutto slicing

Fully hand-operated

Efficient and effortless

Designed in brilliant red with nostalgic appeal as eye catching addition to any restaurant. Our manual volano slicers provides easy maintenance and operation. The built-in blade sharpener keeps the blade sharp for efficient cutting.

FEATURES:

- Variable cut thickness
- Protection ring around blade for safe cleaning and operations
- Comes with standard red flywheel
- Other flywheel and trim colors also available*
- Machines also available in other colors*

*Available as special order, contact Trento for more information

1-833-487-3686

www.trentoequipment.com

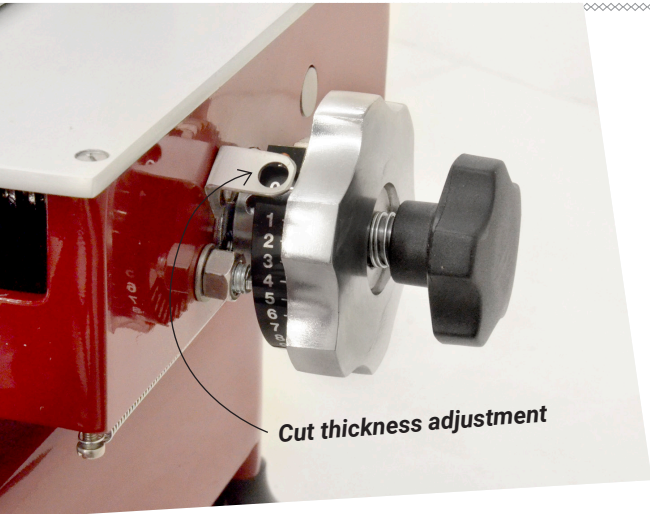
sales@trentoequipment.com

Follow us on social media
@trentoequipment



Authorized Dealer





TRADITIONAL RED COLOR
Standard Flywheel

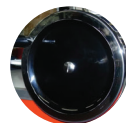


TRADITIONAL RED COLOR
Flower Flywheel



Optional Items:

- Cast-iron made pedestal
- Special colors and types of flywheel are available upon request



Standard Flywheel



Resette Flywheel



Daisy Flywheel

For more info, please call us 1-833-487-3686

Manual Volano Slicers With **Standard Flywheel** - 10" / 12" / 14" / 14.5" Dia. Blades

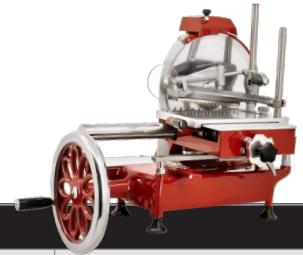
- 10" Blade Size - Item 20013
- 12" Blade Size - Item 13634
- 14" Blade Size - Item 13639
- 14.5" Blade Size - Item 18830



Technical Specification				
Item	20013	13634	13639	18830
Model	MS-IT-0250-M	MS-IT-0300-M	MS-IT-0350-M	MS-IT-0370-M
Blade Size	10" (250 mm)	12" (300 mm)	14" (350 mm)	14.56" (370 mm)
Cut Thickness	0 - 0.07" (0 - 2 mm)		0 - 0.09" (0 - 2.5 mm)	
Cut Size	7.3" x 5.9" (185 x 150 mm)	9" x 7.5" (228 x 190 mm)	10.62" x 9.44" (270 x 240 mm)	10.62" x 9.84 (270 x 250 mm)
Net Weight	72.6 lb. (33 kg.)	100 lb. (45 kg.)	178 lb. (80.7 kg.)	
Net Dimensions (WDH)	26.77" x 20.47" x 20" (680 x 520 x 510 mm)	28.35" x 23.6" x 29.13" (720 x 600 x 740 mm)	34.25" x 27.95" x 31.5" (870 x 710 x 800 mm)	
Gross Weight	124 lb. (56 kg.)	169 lb. (76.7 kg.)	198 lb. (90 kg.)	220 lb. (100 kg.)
Gross Dimensions (WDH)	30" x 30" x 27" (762 x 762 x 686 mm)		37" x 33" x 38" (940 x 838 x 965 mm)	

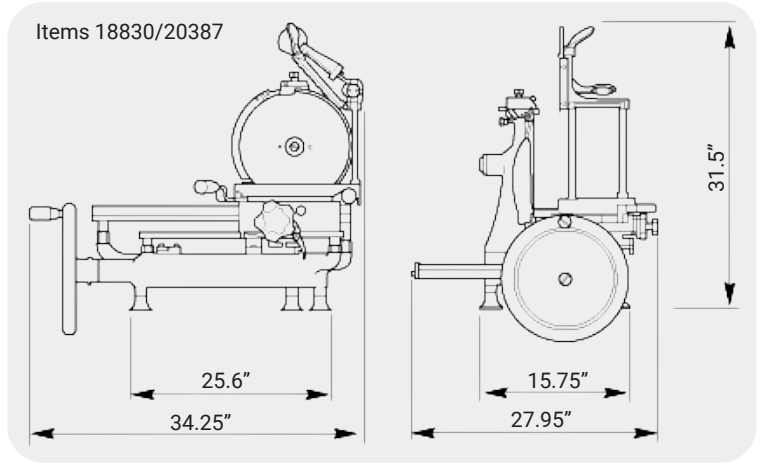
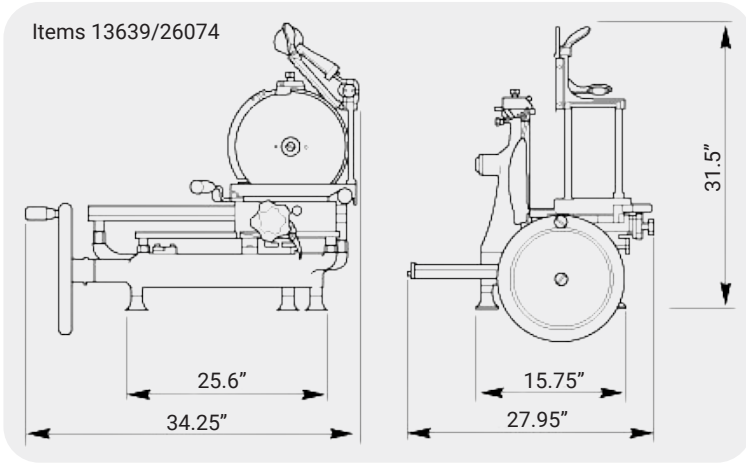
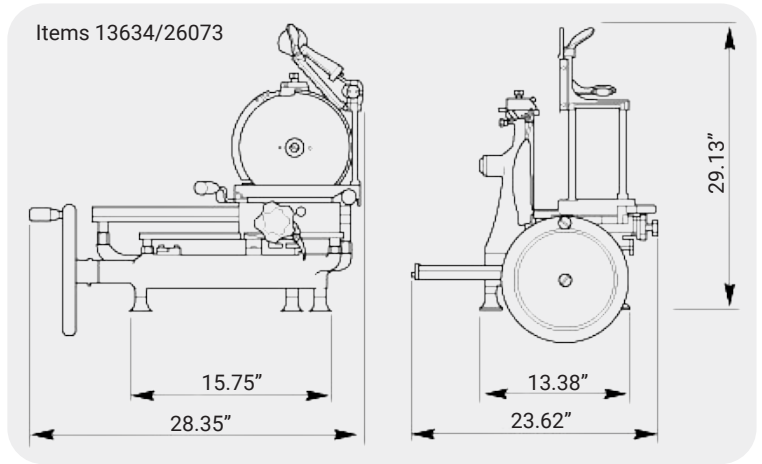
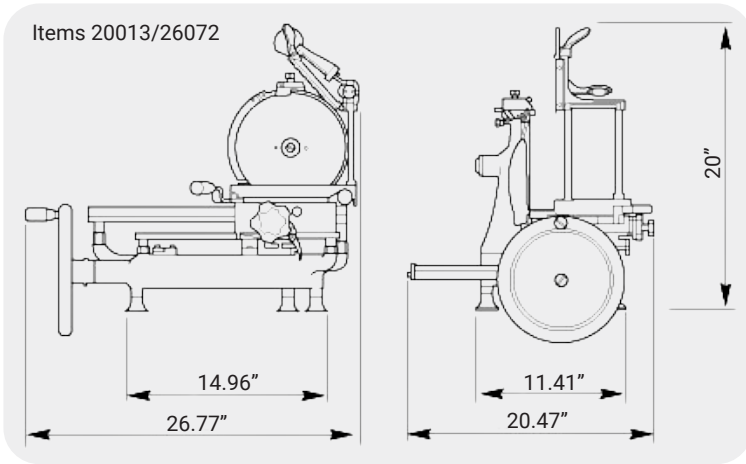
Manual Volano Slicers With **Flower Flywheel** - 10" / 12" / 14" / 14.5" Dia. Blades

- 10" Blade Size - Item 26072
- 12" Blade Size - Item 26073
- 14" Blade Size - Item 26074
- 14.5" Blade Size - Item 20387



Technical Specification				
Item	26072	26073	26074	20387
Model	MS-IT-0250-MF	MS-IT-0300-MF	MS-IT-0350-MF	MS-IT-0370-MF
Blade Size	10" (250 mm)	12" (300 mm)	14" (350 mm)	14.56" (370 mm)
Cut Thickness	0 - 0.07" (0 - 2 mm)		0 - 0.09" (0 - 2.5 mm)	
Cut Size	7.3" x 5.9" (185 x 150 mm)	9" x 7.5" (228 x 190 mm)	10.62" x 9.44" (270 x 240 mm)	10.62" x 9.84 (270 x 250 mm)
Net Weight	72.6 lb. (33 kg.)	100 lb. (45 kg.)	178 lb. (80.7 kg.)	
Net Dimensions (WDH)	26.77" x 20.47" x 20" (680 x 520 x 510 mm)	28.35" x 23.6" x 29.13" (720 x 600 x 740 mm)	34.25" x 27.95" x 31.5" (870 x 710 x 800 mm)	
Gross Weight	124 lb. (56 kg.)	169 lb. (76.7 kg.)	198 lb. (90 kg.)	220 lb. (100 kg.)
Gross Dimensions (WDH)	30" x 30" x 27" (762 x 762 x 686 mm)		37" x 33" x 38" (940 x 838 x 965 mm)	

TECHNICAL DRAWINGS AND DIMENSIONS



Optional Item - Pedestal (Sold separately)

Item	Description	Net Weight	Net Dimensions (WDH)
20014	Pedestal for 20013 / 26072	169 lb. (77 kg.)	16.3" x 25.6" x 31.5" (415 x 650 x 800 mm)
18986	Pedestal for 13634 / 26073	169 lb. (77 kg.)	19.7" x 25.6" x 27.6" (500 x 650 x 700 mm)
18987	Pedestal for 13639 / 18830 / 26074 / 20387	176 lb. (80 kg.)	28.7" x 25.6" x 31.2" (730 x 650 x 795 mm)



PEDESTAL TECHNICAL DRAWINGS AND DIMENSIONS

