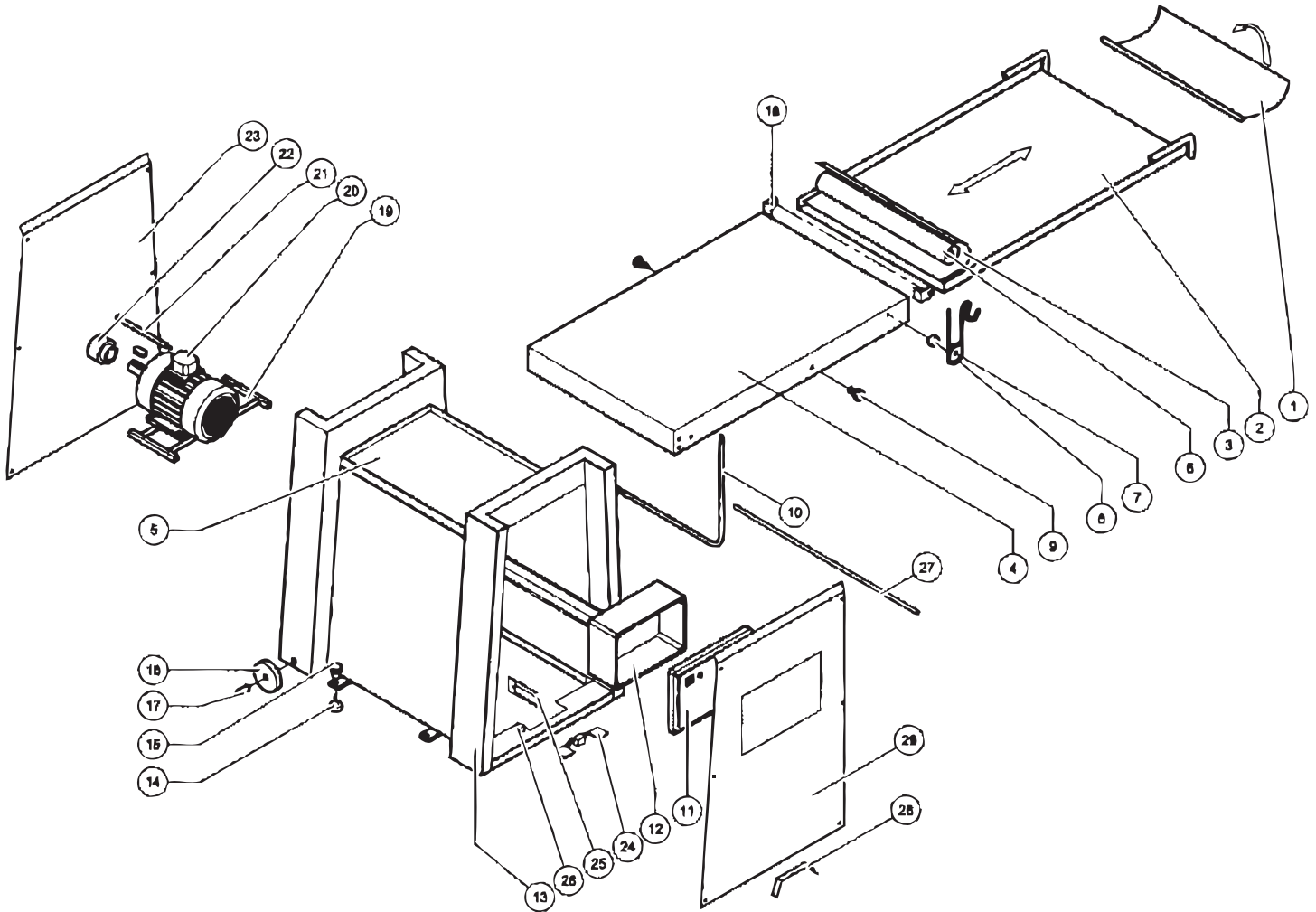


Parts Breakdown

Model BE-IT-710-FSS 49116

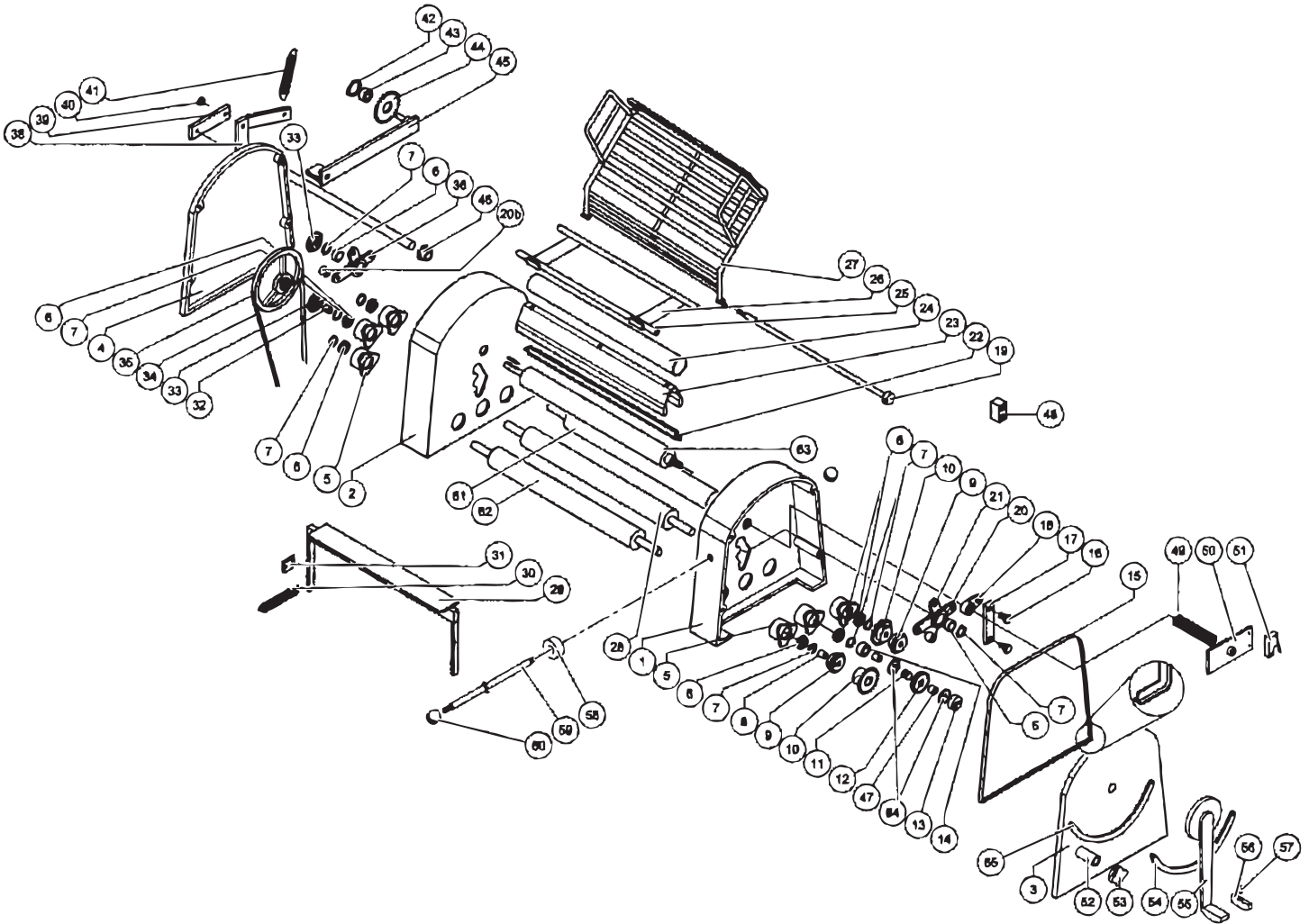
Base Assembly



Parts Breakdown

Model BE-IT-710-FSS 49116

Head Assembly



Parts Breakdown

Model BE-IT-710-FSS 49116

Base Assembly

Item No.	Description	Position	Item No.	Description	Position	Item No.	Description	Position
AK612	Extension for Waste Collection Tray for 49116	1	AK622	Power Board Cover for 49116	11	AK632	Motor Pivoting Pin for 49116	21
AK613	Waste Collection Tray for 49116	2	AK623	Power Board for 49116	12	AK633	Rear Side Closing Panel for 49116	23
AK614	Conveyor Belt for 49116	3	AK624	Frame for 49116	13	AK634	Pedal for 49116	24
AK615	Table for 49116	4	AK625	Adjustable Foot for 49116	14	AK635	Lever for Pedal for 49116	25
AK616	Waste Collection Drawer for 49116	5	AK626	Foot Adjustment Handwheel for 49116	15	AK636	Pedal Movement Inversion Microswitch for 49116	26
AK617	Belt Stretcher Cylinder for 49116	6	AK627	Wheel for 49116	16	AK637	Table Pivoting Rod for 49116	27
AK618	Rolling Pin Fork for 49116	7	AK628	Screw for Wheel for 49116	17	AK638	Pedal Control Guard for 49116	28
AK619	Spacer for 49116	8	AK629	Tie-Rod for Belt for 49116	18	AK639	Front Side Closing Panel for 49116	29
AK620	Tray Locking Handwheel for 49116	9	AK630	Motor Support for 49116	19			
AK621	Support for Tables for 49116	10	AK631	Electric Motor for 49116	20			

Head Assembly

Item No.	Description	Position	Item No.	Description	Position	Item No.	Description	Position
AK640	RH Shoulder for 49116	1	AK662	Top Scraper Support Shaft for 49116	22	AK684	Tie-Rod for Chain for 49116	45
AK641	LH Shoulder for 49116	2	AK663	Top Scraper for 49116	23	AK685	Shaft Bushing for Lifting for 49116	46
AK642	RH Panel for 49116	3	AK664	Lifting Shaft Cover for 49116	24	AK686	Spacer for 49116	47
AK643	LH Panel for 49116	4	AK665	Spacer for 49116	25	AK687	Guard Closure Microswitch for 49116	48
AK644	Flange for 49116	5	AK666	Tray Support for 49116	26	AK688	Spring for 49116	49
AK645	Bearing 6004 2RS for 49116	6	AK667	Guard for 49116	27	AK689	Microswitch Plate for 49116	50
AK646	Seeger Ring for 49116	7	AK668	Fixed Cylinder for 49116	28	AK690	Manual Movement Inversion Microswitch for 49116	51
AK647	Spacer for 49116	8	AK669	Bottom Scraper for 49116	29	AK691	Lever Stop for 49116	52
AK648	Free Wheel Z=16 1/2" x 1/8" for 49116	9	AK670	Bottom Scraper Tensioning Spring for 49116	30	AK692	Handwheel for 49116	53
AK649	Threaded Pinion for 49116	10	AK671	Scraper Positioning Section for 49116	31	AK693	Toothed Sector for 49116	54
AK650	Double-Threaded Screws for 49116	11	AK672	Spacer for 49116	32	AK694	Handle for 49116	55
AK651	Double Crown Wheel Z=16 1/2" x 1/8" for 49116	12	AK673	Pinion Z=16 3/8" for 49116	33	AK695	Lever for Handle for 49116	56
AK652	Washer for 49116	13	AK674	V Belt A 57 for 49116	34	AK696	Spring for 49116	57
AK653	Spacer for 49116	14	AK675	Pulley for 49116	35	AK697	Microswitch Spacer for 49116	58
AK654	Gasket for 49116	15	AK676	LH Connecting Rod for 49116	36	AK698	Manual Motion Inversion Control Rod for 49116	59
AK655	Bolt for 49116	16	AK677	Shaft for Lifting for 49116	38	AK699	Knob for Manual Control Rod for 49116	60
AK656	Lifting Rod for 49116	17	AK678	Displacement Rod for Connecting Rod for 49116	39	AK700	RH Belt Drove Cylinder for 49116	61
AK657	Cylinder Displacement Lever for 49116	18	AK679	Bushing for 49116	40	AK701	LH Belt Drove Cylinder for 49116	62
AK658	Guard Rod for 49116	19	AK680	Handle Return Spring for 49116	41	AK702	Mobile Cylinder for 49116	63
AK659	Bushing for 49116	20	AK681	Seeger Ring for 49116	42	AK703	Idle Crown Wheel Z=16 3/8 for 49116	64
AK660	Eccentric Bushing for 49116	20b	AK682	Bearing 6005 2RS for 49116	43	AK704	Lever Stop Sector for 49116	65
AK661	RH Connecting Rod for 49116	21	AK683	Chain-Stretcher Crown Wheel for 49116	44			