



Bread Graters
Models GR-IT-0080, 0080-S
Items 11411, 23865
Instruction Manual



STOP
DO NOT RETURN
THIS PRODUCT TO THE STORE
For questions or assistance with this
product call OMCAN Toll Free:
1 800 465 0234
Customer Service
or
visit the Support section of
www.omcan.com

Revised - 01/18/2023



Toll Free: 1-800-465-0234
Fax: 905-607-0234
Email: service@omcan.com
www.omcan.com

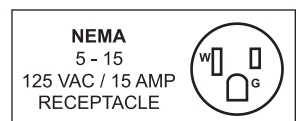


Table of Contents

Model GR-IT-0080 / Model GR-IT-0080-S

Section	Page
General Information -----	3 - 4
Safety and Warranty -----	4 - 5
Technical Specifications -----	6
Installation -----	7
Operation -----	7 - 8
Maintenance -----	8 - 10
Parts Breakdown -----	11 - 16
Electrical Schematics -----	17
Notes -----	18
Warranty Registration -----	19



General Information

Omcan Manufacturing and Distributing Company Inc., Food Machinery of America, Inc. dba Omcan and Omcan Inc. are not responsible for any harm or injury caused due to any person's improper or negligent use of this equipment. The product shall only be operated by someone over the age of 18, of sound mind, and not under the influence of any drugs or alcohol, who has been trained in the correct operation of this machine, and is wearing authorized, proper safety clothing. Any modification to the machine voids any warranty, and may cause harm to individuals using the machine or in the vicinity of the machine while in operation.

CHECK PACKAGE UPON ARRIVAL

Upon receipt of an Omcan shipment please inspect for external damage. If no damage is evident on the external packaging, open carton to ensure all ordered items are within the box, and there is no concealed damage to the machine. If the package has suffered rough handling, bumps or damage (visible or concealed), please note it on the bill of lading before accepting the delivery and contact Omcan within 24 hours, so we may initiate a claim with the carrier. A detailed report on the extent of the damage caused to the machine must be filled out within three days, from the delivery date shown in the shipping documents. Omcan has no recourse for damaged products that were shipped collect or third party.

Before operating any equipment, always read and familiarize yourself with all operation and safety instructions.

Omcan would like to thank you for purchasing this machine. It's of the utmost importance to save these instructions for future reference. Also save the original box and packaging for shipping the equipment if servicing or returning of the machine is required.

Omcan Fabrication et distribution Compagnie Limitée et Food Machinery d'Amérique, dba Omcan et Omcan Inc. ne sont pas responsables de tout dommage ou blessure causé du fait que toute personne ait utilisé cet équipement de façon irrégulière. Le produit ne doit être exploité que par quelqu'un de plus de 18 ans, sain d'esprit, et pas sous l'influence d'une drogue ou d'alcool, qui a été formé pour utiliser cette machine correctement, et est vêtu de vêtements de sécurité appropriés. Toute modification de la machine annule toute garantie, et peut causer un préjudice à des personnes utilisant la machine ou des personnes à proximité de la machine pendant son fonctionnement.

VÉRIFIEZ LE COLIS DÈS RÉCEPTION

Dès réception d'une expédition d'Omcan veuillez inspecter pour dommages externes. Si aucun dommage n'est visible sur l'emballage externe, ouvrez le carton afin de s'assurer que tous les éléments commandés sont dans la boîte, et il n'y a aucun dommage dissimulé à la machine. Si le colis n'a subi aucune mauvaises manipulations, de bosses ou de dommages (visible ou cachée), notez-le sur le bond de livraison avant d'accepter la livraison et contactez Omcan dans les 24 heures qui suivent, pour que nous puissions engager une réclamation auprès du transporteur. Un rapport détaillé sur l'étendue des dommages causés à la machine doit être rempli dans un délai de trois jours, à compter de la date de livraison indiquée dans les documents d'expédition. Omcan n'a aucun droit de recours pour les produits endommagés qui ont été expédiés ou cueilli par un tiers transporteur.

General Information

Avant d'utiliser n'importe quel équipement, toujours lire et vous familiariser avec toutes les opérations et les consignes de sécurité.

Omcan voudrais vous remercier d'avoir choisi cette machine. Il est primordial de conserver ces instructions pour une référence ultérieure. Également conservez la boîte originale et l'emballage pour l'expédition de l'équipement si l'entretien ou le retour de la machine est nécessaire.

Omcan Empresa De Fabricacion Y Distribucion Inc. Y Maquinaria De Alimentos De America, Inc. dba Omcan y Omcan Inc. no son responsables de ningun daño o perjuicio causado por cualquier persona inadecuada o el uso descuidado de este equipo. El producto solo podra ser operado por una persona mayor de 18 años, en su sano juicio y no bajo alguna influencia de droga o alcohol, y que este ha sido entrenado en el correcto funcionamiento de esta máquina, y ésta usando ropa apropiada y autorizada. Cualquier modificación a la máquina anula la garantía y puede causar daños a las personas usando la máquina mientras esta en el funcionamiento.

REVISE EL PAQUETE A SU LLEGADA

Tras la recepcion de un envio Omcan favor inspeccionar daños externos. Si no hay daños evidentes en el empaque exterior, Habra el carton para asegurarse que todos los articulos solicitados estén dentro de la caja y no encuentre daños ocultos en la máquina. Si el paquete ha sufrido un manejo de poco cuidado, golpes o daños (visible o oculto) por favor anote en la factura antes de aceptar la entrega y contacte Omcan dentro de las 24 horas, de modo que podamos iniciar una reclamación con la compañía. Un informe detallado sobre los daños causados a la máquina debe ser llenado en el plazo de tres días, desde la fecha de entrega que se muestra en los documentos de envío. Omcan no tiene ningun recurso por productos dañados que se enviaron a recoger por terceros.

Antes de utilizar cualquier equipo, siempre lea y familiarizarse con todas las instrucciones de funcionamiento y seguridad.

Omcan le gustaría darle las gracias por la compra de esta máquina. Es de la mayor importancia para salvar estas instrucciones para futuras consultas. Además, guarda la caja original y el embalaje para el envío del equipo si servicio técnico o devolución de la máquina que se requiere.

Safety and Warranty

- The equipped protections do not allow the operator to accidentally get in contact with the operating parts that move.
- The machine is equipped with an overload switch that protects the motor in the event of any undue stress as a prolonged blockage of the motor.
- Do not wear loose clothing when operating the machine.
- Make sure hair is gathered and secure to avoid injury.
- NEVER use tools not intended for the machine to help during operation.

Safety and Warranty

- NEVER touch the moving parts of the machine.
- NEVER connect the power source with wet hands or wet clothes.
- ALWAYS ground the machine properly.
- NEVER spray water or other liquid substances directly at the motor, power switch or any other electrical components.
- ALWAYS install equipment in working area with adequate light and away from CHILDREN and non-trained personnel.
- NEVER operate without all warning labels attached and owner/operator manual available.
- NEVER leave the machine unattended while operating.
- STOP the machine immediately if you hear abnormal noises or fear that injuries may occur.
- CONTACT your distributor if you have any problems with the installation or operation of this machine.
- ALWAYS turn the machine off before cleaning and maintenance.
- PROVIDE enough space around the machine.
- ALWAYS keep the floor dry. Wet floors may cause the operator to slip.
- ALWAYS turn the machine off in the case of a short circuit.
- NEVER let dust or water get into electrical or mechanical components of the machine.

RESIDENTIAL USERS: Vendor assumes no liability for parts or labor coverage for component failure or other damages resulting from installation in non-commercial or residential applications. The right is reserved to deny shipment for residential usage; if this occurs, you will be notified as soon as possible.

1 YEAR PARTS AND LABOUR BENCH WARRANTY

Within the warranty period, contact Omcan Inc. At 1-800-465-0234 to schedule a drop off to either an Omcan authorized service depot in the area, or to an Omcan Service warehouse to repair the equipment.

Unauthorized maintenance will void the warranty. Warranty covers electrical and part failures, not improper use.

Please see <https://omcan.com/disclaimer> for complete info.

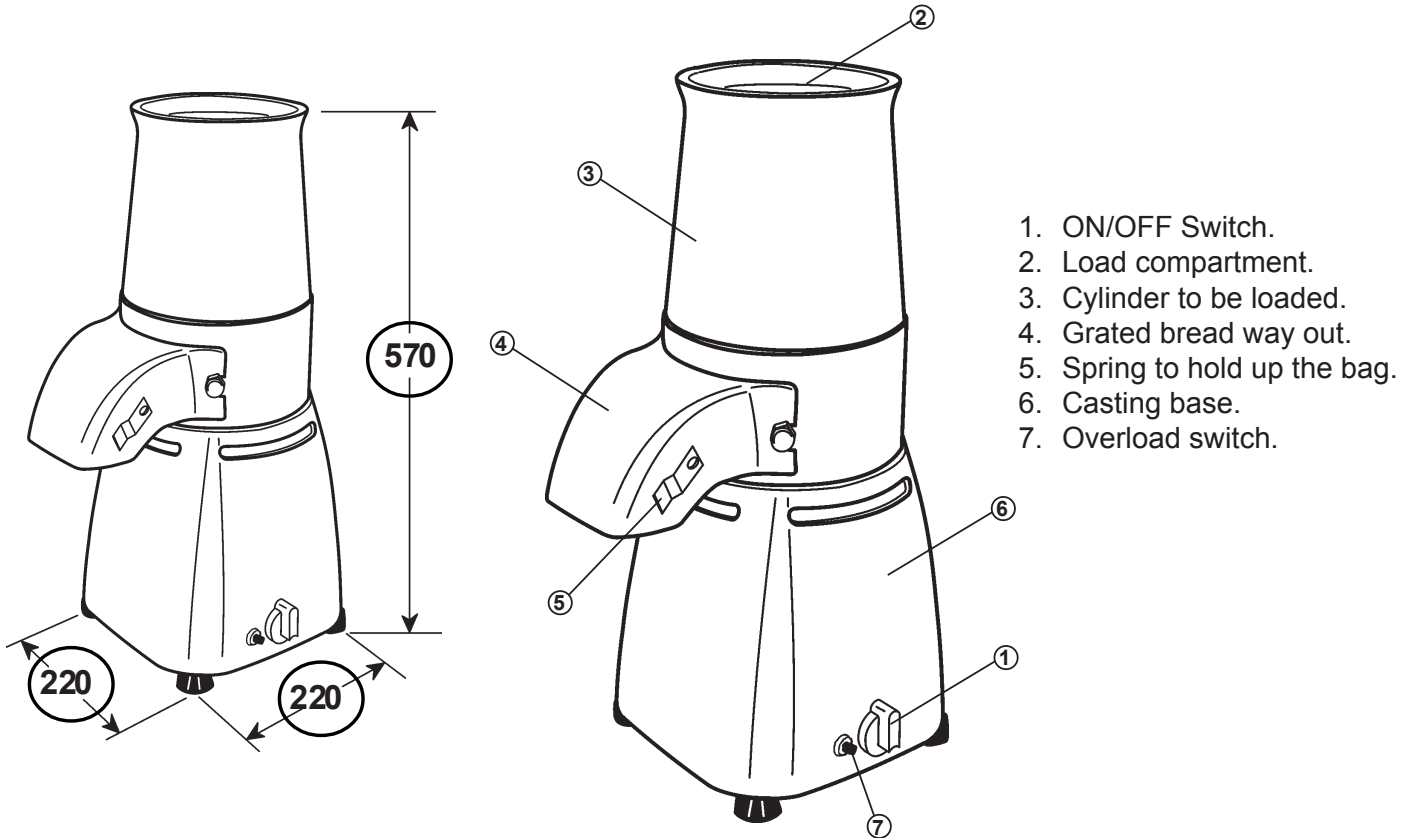
WARNING:

The packaging components are classified as normal solid urban waste and can therefore be disposed of without difficulty.

In any case, for suitable recycling, we suggest disposing of the products separately (differentiated waste) according to the current norms.

DO NOT DISCARD ANY PACKAGING MATERIALS IN THE ENVIRONMENT!

Technical Specifications



Model	GR-IT-0080	GR-IT-0080-S
Horsepower	1.5 HP	
Electrical	110-120V / 60Hz / 1	
RPM	75 - 660 RPM	
Weight	37.4 lbs. / 17 kgs.	
Packaging Weight	44 lbs. / 20 kgs.	
Dimensions	9.8" x 9.8" x 22.4" / 250 x 250 x 570mm	
Packaging Dimensions	25" x 14" x 22" / 635 x 356 x 559mm	
Item Number	11411	*23865

*comes with extra safety features.

Installation

UNPACKING

Immediately after unpacking the machine, check it for possible shipping damage. If this machine is found to be damaged after unpacking, save the packing material and contact the carrier.

Prior to installation, test the electrical service to assure that it agrees with the specifications on the machine data plate.

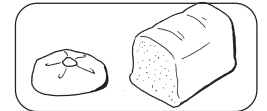
ELECTRICAL

WARNING: This machine is provided with this plug,  this plug must be connected to a properly grounded outlet. If the receptacle is not the proper grounding type, contact an electrician.

Operation

IMPORTANT

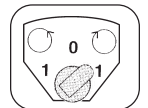
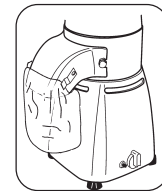
Very easy to operate: once started you only need to put into the filler your dry bread to grate it fine and homogeneous.



HOW TO LOAD THE PRODUCT TO BE CUT

Bread can be put in the machine also when grater is operating.

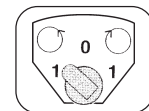
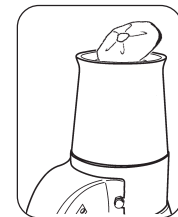
1. Place a bag on the specific tongs to collect grated bread.
2. Put and drop bread in the cylinder hollow.
3. Place the switch on 0 position.
4. Take away the bag where grated bread has been collected.



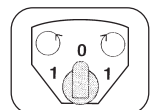
WARNING

In case of a blockage to the motor follow these instructions:

1. Turn the switch to the 0 position.
2. Turn it to the reverse position and keep it just few seconds in this position: the direction of rotation is reversed, unblocking it.
3. Turn the switch to the 1 position to restart the normal operation. If the motor continues to block, repeat the instructions from 1 to 3 until the machine operates normally.



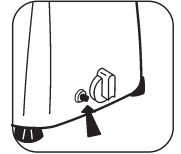
When the grating operation is finished switch off the toggle placing it on 0 position.



Operation

OVERLOAD SWITCH

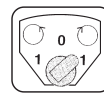
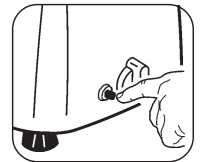
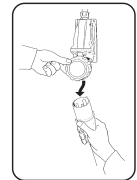
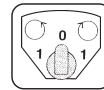
The machine is equipped with an overload switch that protects the motor in the event of any undue stress as a prolonged blockage of the motor.



The overload switch switches off the power and stops the machine.

To restart the machine it is necessary to:

1. Place the machine on its side; the overload switch is on the lower section.
2. Re-position the switch to 0.
3. Disconnect the machine from the main supply.
4. Remove the cause of the blockage.
5. Wait approximately 10 sec.
6. Push the push button to reactivate the motor protector.
7. Restart the machine.



Maintenance

CLEANING

The materials utilized, anodized aluminium, stainless steel and plastics have been selected with due regard to hygiene regulations: "Rule CE n. 1935/2004 for the materials and things destined to come into contact with food".

WARNING: disconnect machine from socket.

1. Loosen both cylindrical loading filler screws.
2. Lift cylindrical loading filler by tilting it slightly forward.
3. Loosen both fixing screws.
4. Extract drain from screws.
5. Use a brush to clean crumbling powder and if necessary an aspirator.

Maintenance



Maintenance

This machine must be thoroughly cleaned and sanitized after installation and before being put into service.

ASSEMBLING

1. Reallocate drain between screws.
2. Fasten both fixing screws.
3. Allocate cylindrical filler by tilting it forward.
4. Fasten filler cylindrical locking screws.



1



2



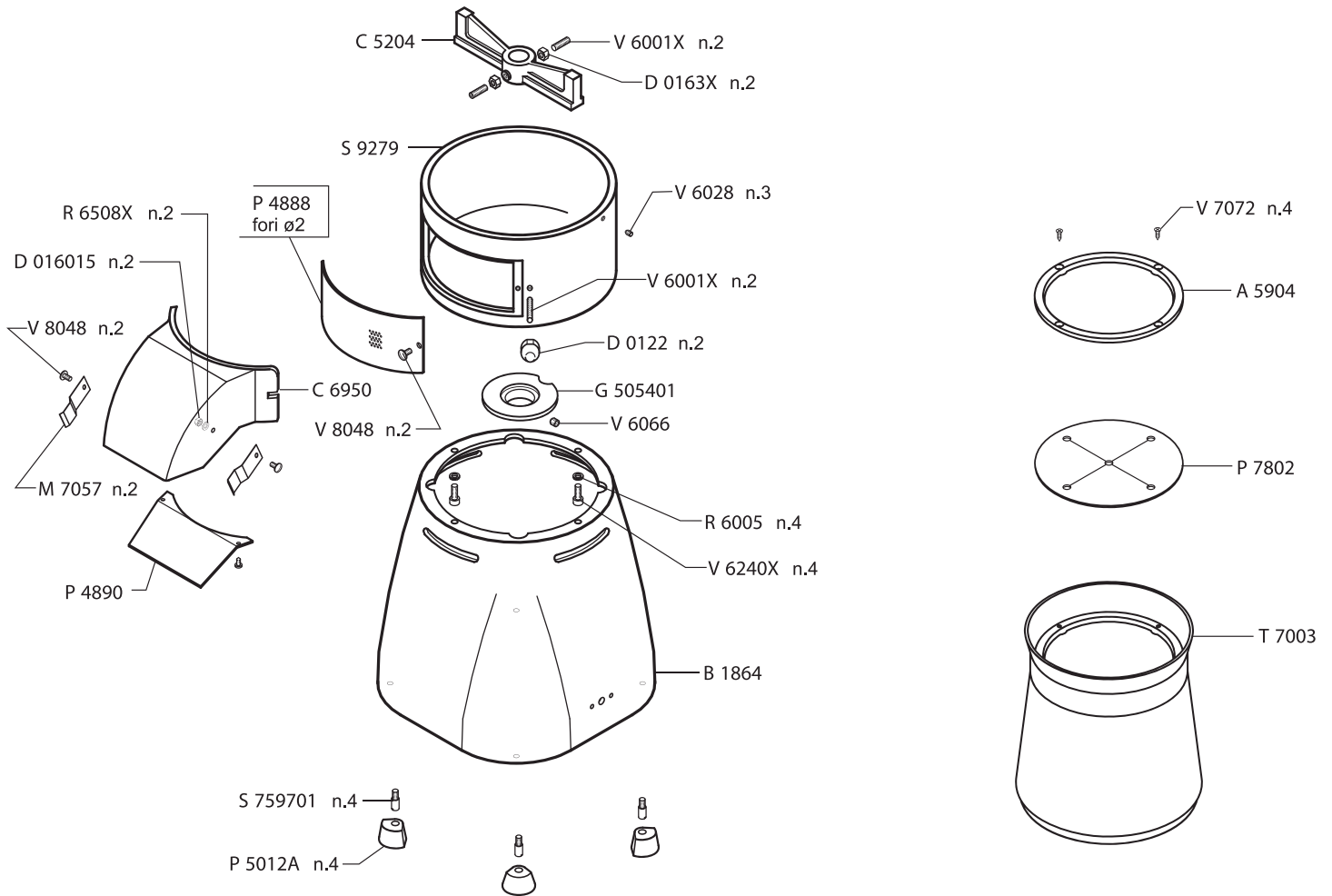
3



4

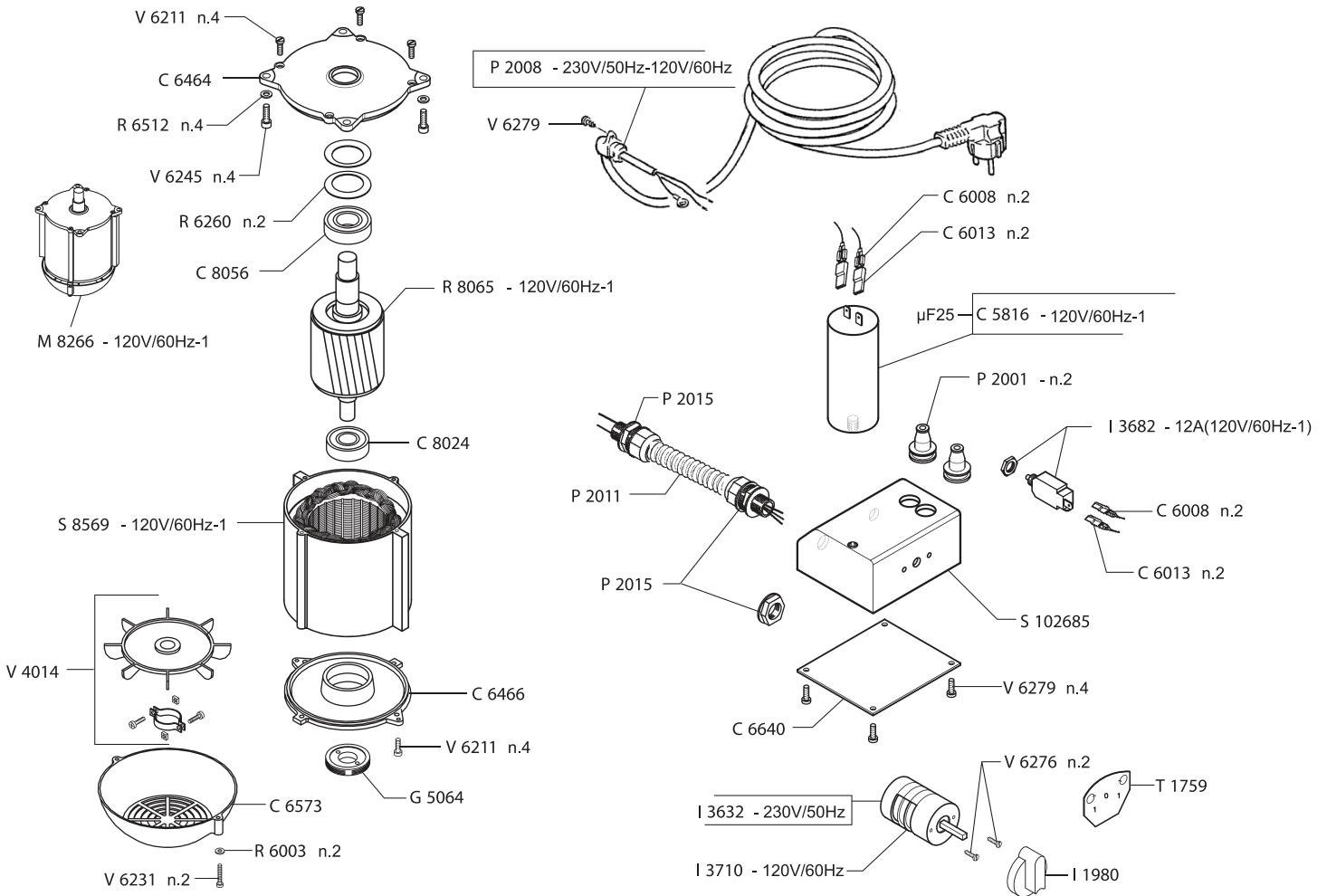
Parts Breakdown

Model GR-IT-0080 11411



Parts Breakdown

Model GR-IT-0080 11411



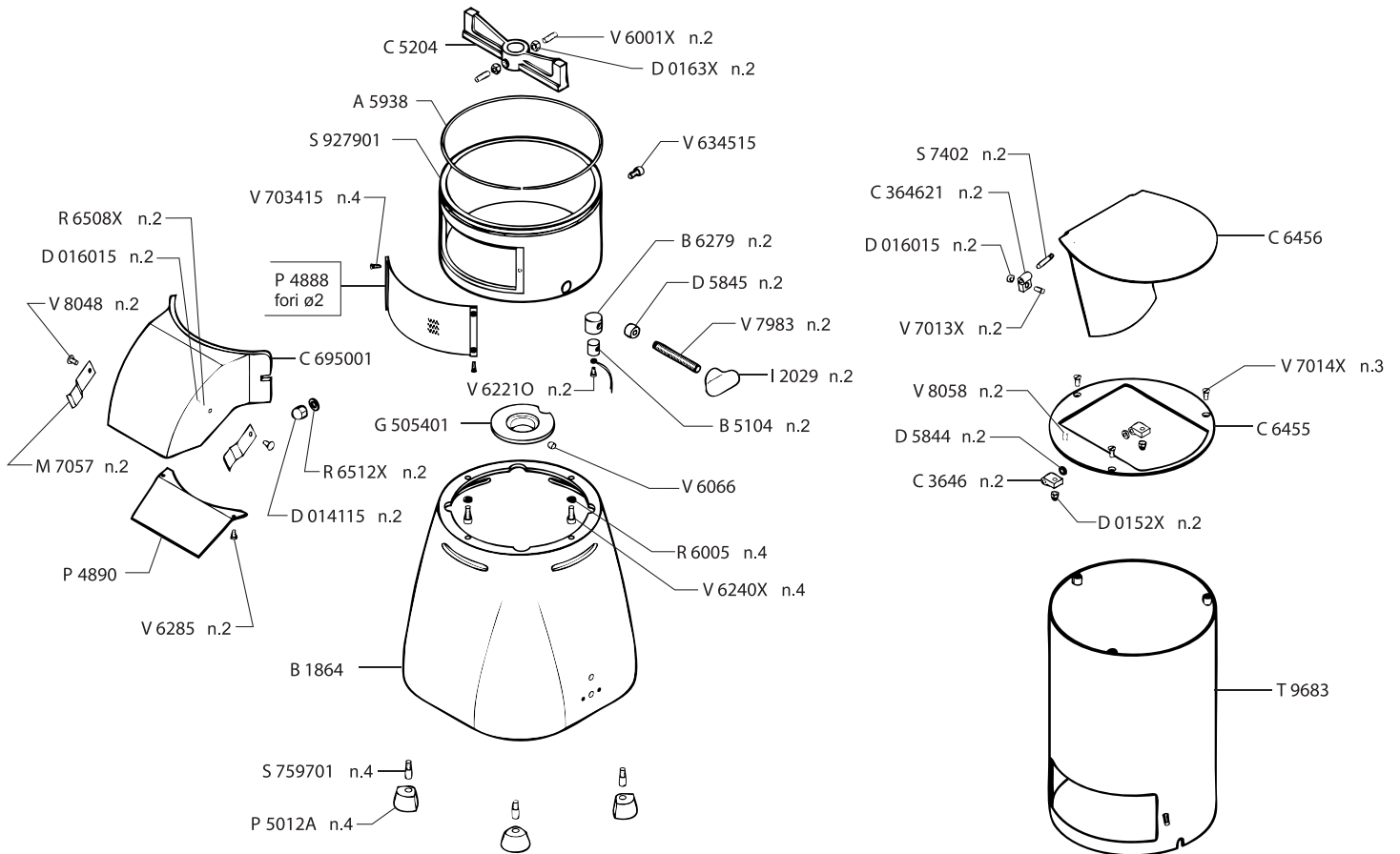
Parts Breakdown

Model GR-IT-0080 11411

Item No.	Description	Position	Item No.	Description	Position	Item No.	Description	Position
36542	M20 Cover Ring for 11411	A5904	17366	Switch 19971/TS12 for 11411	I3632	36903	Box Interruttore for 11411	S102685
74399	Base for 11411	B1864	16942	Circuit Breaker for 11411	I3682	36929	Pin D.8 M6 L.26 for 11411	S759701
17322	Knife for 11411	C5204	20461	Switch for 11411	I3710	36933	Statore H.80 120/60 (Tubo ESTR.135) for 11411	S8569
17326	Capacitor 25MF 400V for 11411	C5816	19784	Clip for 11411	M7057	36975	Motor Support for 11411	S9279
36611	Connector L=19 for 11411	C6008	36756	Motor 120/60 (ESTR.135) for 11411	M8266	36989	Switch Pad Panel for 11411	T1759
36612	Connector L=23 for 11411	C6013	36774	Strain Relief for 11411	P2001	36995	Tramoggia for 11411	T7003
36614	Cover Anter.Motor H (Diam.135) for 11411	C6464	17415	Strain Relief for 11411	P2008	37013	Motor Fan MEC80 148x16 for 11411	V4014
36615	H-C Series Back Motor Cover for 11411	C6466	60421	Electrical Conduit for 11411	P2011	37015	Screw STTC U6113 M6x20 Stainless Steel for 11411	V6001X
36617	Motor Fan Cover for 11411	C6573	36779	Core-Hitch+Nut for 11411	P2015	37020	Screw M5x8 U5923 for 11411	V6028
36620	Cover Box Interruttore for 11411	C6640	36837	Mesh Filter for 11411	P4888	19691	Grub Screw M6x6 for 11411	V6066
36627	Corpo Bocca for 11411	C6950	36838	Piattina per Corpo Bocca for 11411	P4890	19697	Screw M5x16 for 11411	V6211
16925	Bearing 2RS-6204 20x47x14 for 11411	C8024	17435	Foot 16646/12/19971 for 11411	P5012A	19699	Screw M4x25 for 11411	V6231
36631	Bearing 2RS-6205 25x52x15 for 11411	C8056	19176	Protector for 11411	P7802	37037	Screw TCEI U5931 M6x16 for 11411	V6240X
AM509	Nut Fiss.Bocca Macinapane for 11411	D0122	19657	Washer 4 for 11411	R6003	19701	Screw M6x20 for 11411	V6245
36644	U5588 M5 Stainless Steel Nut for 11411	D016015	19658	Washer 6 for 11411	R6005	37047	Screw TC Aut.D7971 2.9x13 for 11411	V6276
36646	Nut U5588 M6 Stainless Steel for 11411	D0163X	19665	Washer for 11411	R6260	37048	Screw TCTC Aut.D7981 3.5x9.5 for 11411	V6279
36693	Ring for Motor for 11411	G505401	36882	Washer U6592 5 Stainless Steel for 11411	R6508X	37087	Screw TSPTC Aut.U6955 3.5x14 for 11411	V7072
36697	Logging Lock Nut for 11411	G5064	16967	Washer U65926 for 11411	R6512	37106	Stainless Steel Switch Screw M5x10 for 11411	V8048
36707	Switch Handle for 11411	I1980	36898	Rotor (A3125 P2523) 230/50 for 11411	R8065			

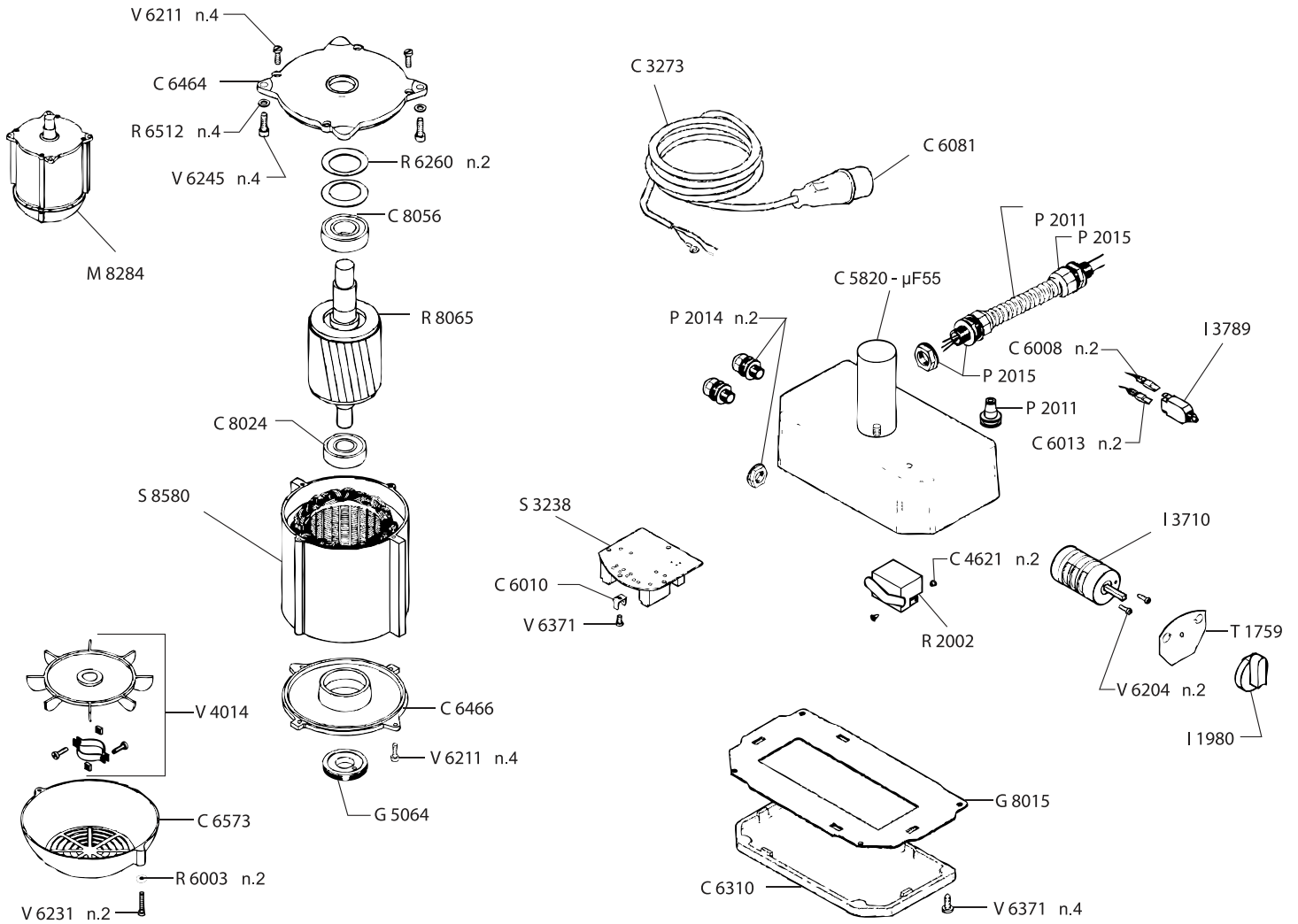
Parts Breakdown

Model GR-IT-0080-S 23865



Parts Breakdown

Model GR-IT-0080-S 23865



Parts Breakdown

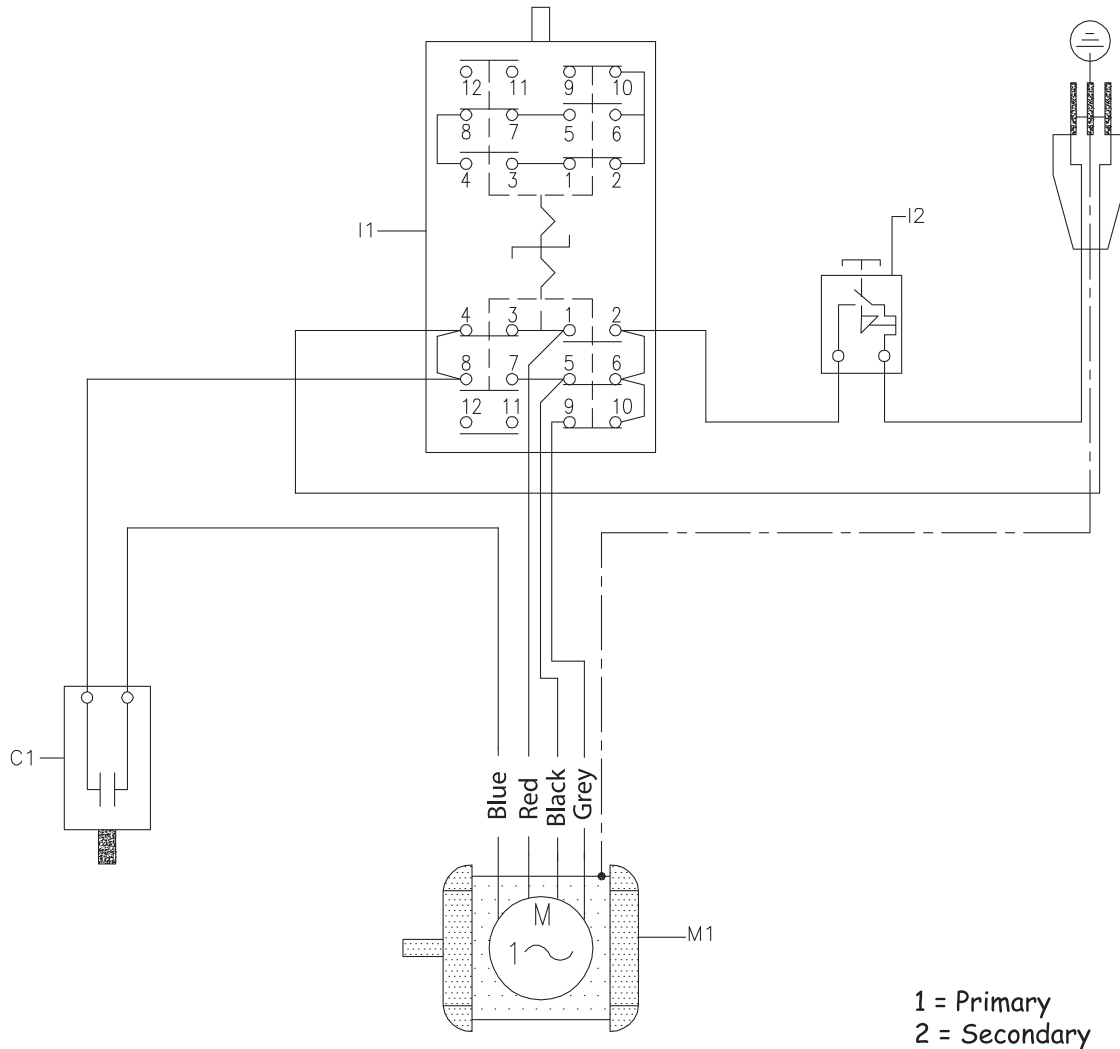
Model GR-IT-0080-S 23865

Item No.	Description	Position	Item No.	Description	Position	Item No.	Description	Position
74398	Anello Adattatore Øe 200 Filo Ø4 for 23865	A5938	36646	Nut U5588 M6 Stainless Steel for 23865	D0163X	44922	Electrical Panel for 23865	S3238
74399	Base for 23865	B1864	74409	Spacer Cover Mobile M20E for 23865	D5844	36911	Pin 5x28 for 23865	S7402
74400	Block Ferma Cavo Micro for 23865	B5104	74410	Spacer Isolante 6x15x10 M20N for 23865	D5845	36929	Pin D.8 M6 L.26 for 23865	S759701
74401	Bushing Isolante Block for 23865	B6279	36693	Ring for Motor for 23865	G505401	74414	Stator H.80 120/60 (ESTR.135) for 23865	S8580
36597	Power Cord 2P+T 15A 125V for 23865	C3273	36697	Logging Lock Nut for 23865	G5064	74415	Supporto Motor for 23865	S927901
36598	Cerniera Porta T210-T250 for 23865	C3646	74411	Seal for 23865	G8015	36989	Switch Pad Panel for 23865	T1759
74402	Cerniera Plate for 23865	C364621	36707	Switch Handle for 23865	I1980	74416	Tubo Macinapane for 23865	T9683
36599	Rivet 3.85 for 23865	C4621	74412	Knife Holder Fastener Knob for 23865	I2029	37013	Motor Fan MEC80 148x16 for 23865	V4014
17322	Knife for 23865	C5204	20461	Switch for 23865	I3710	37015	Screw STTC U6113 M6x20 Stainless Steel for 23865	V6001X
31214	Capacitor for 23865	C5820	44920	Microswitch for 23865	I3789	19691	Grub Screw M6x6 for 23865	V6066
36611	Connector L=19 for 23865	C6008	19784	Clip for 23865	M7057	19696	Screw M3.5x12 for 23865	V6204
74403	Connector Faston 2 Poles Male for 23865	C6010	44923	Motor for 23865	M8284	19697	Screw M5x16 for 23865	V6211
36612	Connector L=23 for 23865	C6013	60421	Electrical Conduit for 23865	P2011	74417	Screw TC U6108 M4x8 for 23865	V62210
77609	Connettore Spina Monofase 2x16A CEE for 23865	C6081	36778	Wire-Press for 23865	P2014	19699	Screw M4x25 for 23865	V6231
74404	Cover for Box for 23865	C6310	36779	Core-Hitch+Nut for 23865	P2015	37037	Screw TCEI U5931 M6x16 for 23865	V6240X
74405	Cover Fisso Macinapane for 23865	C6455	36837	Mesh Filter for 23865	P4888	19701	Screw M6x20 for 23865	V6245
74406	Cover Mobile Machinapane for 23865	C6456	36838	Piattina per Corpo Bocca for 23865	P4890	37050	Screw TC Aut.D7971 4.2x9 for 23865	V6285
36614	Cover Anter.Motor H (Diam.135) for 23865	C6464	17435	Foot 16646/12/19971 for 23865	P5012A	37056	Stainless Steel Screw M6x12 U5931 for 23865	V634515
36615	Back Motor Cover for 23865	C6466	16965	Relay 11.8A 4CR-708 for 23865	R2002	37059	Stainless Steel Screw M4x14 for 23865	V6371
36617	Motor Fan Cover for 23865	C6573	19657	Washer 4 for 23865	R6003	AM182	Stainless Steel Screw TSP U6109 M5x12 for 23865	V7013X
74407	Corpo Bocca for 23865	C695001	19658	Washer 6 for 23865	R6005	17497	Screw TSP U6109 M5x15 Stainless Steel for 23865	V7014X
16925	Bearing 2RS-6204 20x47x14 for 23865	C8024	19665	Washer for 23865	R6260	74418	Vite TSP U6109 M4x8 Inox for 23865	V703415
36631	Bearing 2RS-6205 25x52x15 for 23865	C8056	36882	Washer U6592 5 Stainless Steel for 23865	R6508X	74419	Screw for 23865	V7983
74408	Stainless Steel Nut DIN 917 M6 for 23865	D014115	16967	Washer U65926 for 23865	R6512	37106	Stainless Steel Switch Screw M5x10 for 23865	V8048
36639	Nut U5721 M5 Stainless Steel for 23865	D0152X	17457	Washer U6592 6 Stainless Steel for 23865	R6512X	74420	Screw for 23865	V8058
36644	U5588 M5 Stainless Steel Nut for 23865	D016015	36898	Rotor 230/50 for 23865	R8065			

Electrical Schematics

Model GR-IT-0080 11411

Model GR-IT-0080-S 23865



POS.	DESCRIPTION
C1	CAPACITOR 25 μ F 450V
I1	INVERTER
I2	OVERLOAD 5A 230V/50Hz
I2	OVERLOAD 12A 120V/60Hz
M1	MOTOR



Warranty Registration

Thank you for purchasing an Omcan product. To register your warranty for this product, complete the information below, tear off the card at the perforation and then send to the address specified below. You can also register online by visiting:

Merci d'avoir acheté un produit Omcan. Pour enregistrer votre garantie pour ce produit, complétez les informations ci-dessous, détachez la carte au niveau de la perforation, puis l'envoyer à l'adresse spécifiée ci-dessous. Vous pouvez également vous inscrire en ligne en visitant:

Gracias por comprar un producto Omcan usted. Para registrar su garantía para este producto, complete la información a continuación, cortar la tarjeta en la perforación y luego enviarlo a la dirección indicada a continuación. También puede registrarse en línea en:

<https://omcan.com/warranty-registration/>

For mailing in Canada

Pour postale au Canada

Por correo en Canadá

OMCAN

PRODUCT WARRANTY REGISTRATION

3115 Pepper Mill Court,

Mississauga, Ontario

Canada, L5L 4X5

For mailing in the US

Pour diffusion aux États-Unis

Por correo en los EE.UU.

OMCAN

PRODUCT WARRANTY REGISTRATION

4450 Witmer Industrial Estates, Unit 4,

Niagara Falls, New York

USA, 14305

or email to: service@omcan.com



Purchaser's Information

Name: _____

Address: _____

City: _____ Province or State: _____ Postal or Zip: _____

Country: _____

Dealer from which Purchased: _____

Dealer City: _____ Dealer Province or State: _____

Invoice: _____

Model Name: _____ Model Number: _____

Machine Description: _____

Date of Purchase (MM/DD/YYYY): _____

Would you like to extend the warranty? Yes No

Company Name: _____

Telephone: _____

Email Address: _____

Type of Company:

Restaurant Bakery Deli

Butcher Supermarket Caterer

Institution (specify): _____

Other (specify): _____

Serial Number: _____

Date of Installation (MM/DD/YYYY): _____

Thank you for choosing Omcan | Merci d'avoir choisi Omcan | Gracias por elegir Omcan



Since 1951 Omcan has grown to become a leading distributor of equipment and supplies to the North American food service industry. Our success over these many years can be attributed to our commitment to strengthen and develop new and existing relationships with our valued customers and manufacturers. Today with partners in North America, Europe, Asia and South America, we continually work to improve and grow the company. We strive to offer customers exceptional value through our qualified local sales and service representatives who provide convenient access to over 6,500 globally sourced products.

Depuis 1951 Omcan a grandi pour devenir un des “leaders” de la distribution des équipements et matériel pour l’industrie des services alimentaires en Amérique du Nord. Notre succès au cours de ces nombreuses années peut être attribué à notre engagement à renforcer et à développer de nouvelles et existantes relations avec nos clients et les fabricants de valeur. Aujourd’hui avec des partenaires en Amérique du Nord, Europe, Asie et Amérique du Sud, nous travaillons continuellement à améliorer et développer l’entreprise. Nous nous efforçons d’offrir à nos clients une valeur exceptionnelle grâce à nos ventes locales qualifiées et des représentants de service qui offrent un accès facile à plus de 6500 produits provenant du monde entier.

Desde 1951 Omcan ha crecido hasta convertirse en un líder en la distribución de equipos y suministros de alimentos en América del Norte industria de servicios. Nuestro éxito en estos años se puede atribuir a nuestro compromiso de fortalecer y desarrollar nuevas relaciones existentes con nuestros valiosos clientes y fabricantes. Hoy con socios de América del Norte, Europa, Asia y América del Sur, que trabajan continuamente para mejorar y crecer la empresa. Nos esforzamos por ofrecer a nuestros clientes valor excepcional a través de nuestro local de ventas y representantes de los servicios que proporcionan un fácil acceso a más de 6,500 productos con origen a nivel mundial.

