



SERVING THE FOOD INDUSTRY SINCE 1951

Under Bar Sinks with Compartments and Drain Board

ITEM: 44600 44601 25274 44627 44603



44600
no drain board



44601
no drain board



25274
with drain board



44627
with drain board



44603
with drain board

Wash, rinse, and sanitize your glassware with Omcan's Under bar sinks.

FEATURES:

- Compartment
- With drain board (as stated)
- Compartment size: 10" x 14" x 10"
- 18 Gauge. 304 Stainless Steel top, bowl and back
- 20 Gauge. 304 Stainless Steel apron

Telephone: 1-800-465-0234

Fax: (905) 607-0234

Email: sales@omcan.com

Website: www.omcan.com



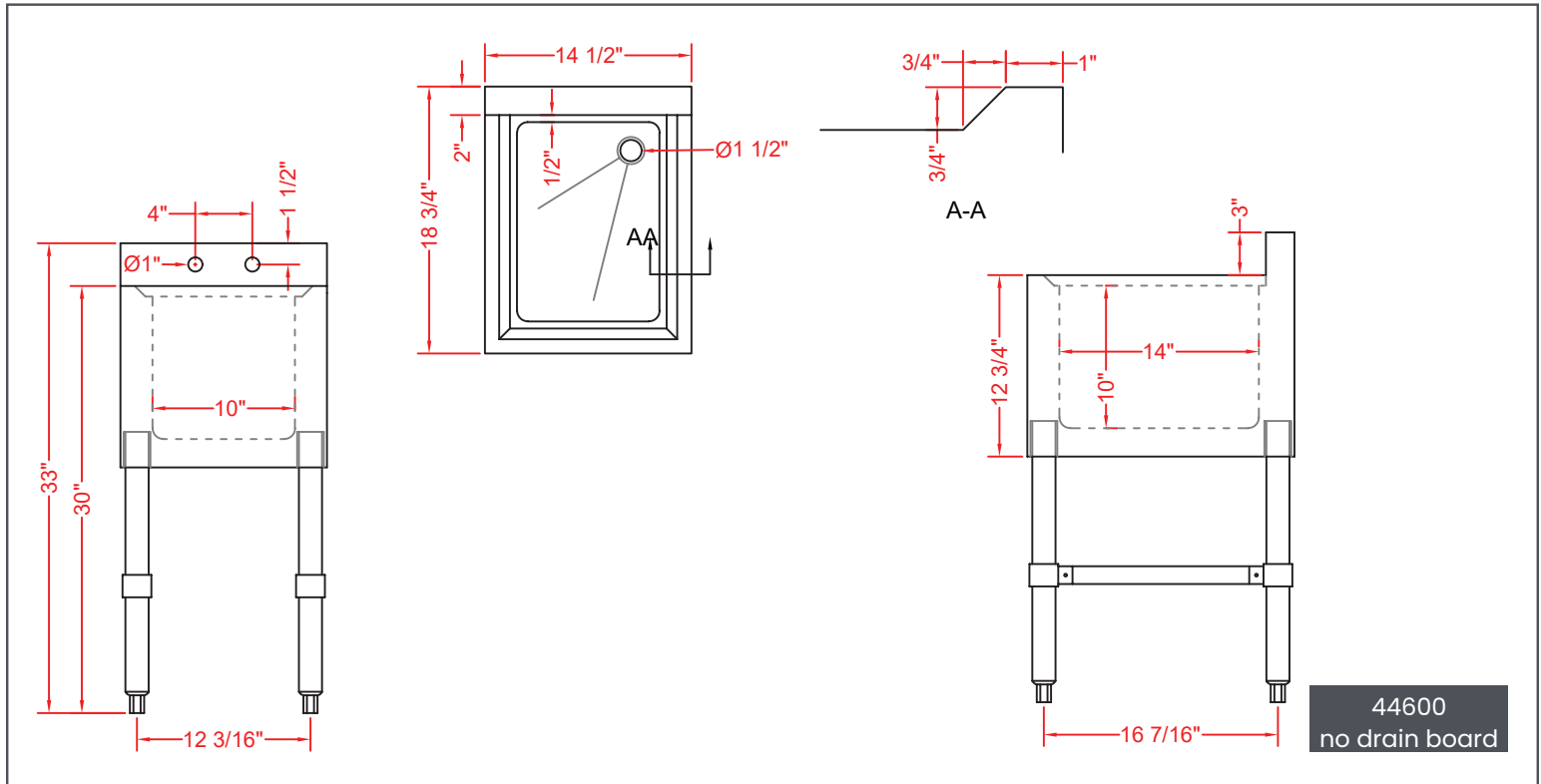
Authorized Dealer



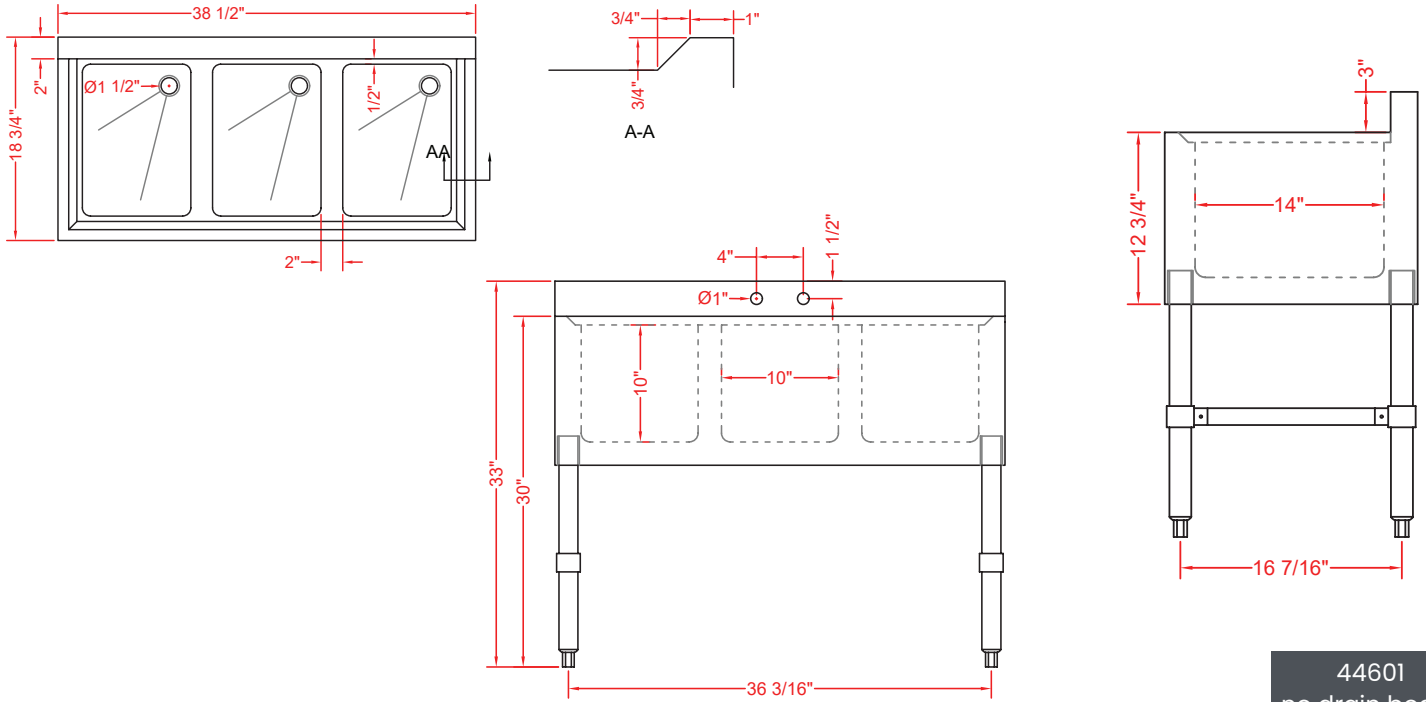
TECHNICAL SPECIFICATION

Features	1 Compartment with no drain board	3 Compartments with no drain board	3 Compartments with 13" drain boards	3 Compartments with 19" drain boards	4 Compartments with drain boards
Item	44600	44601	25274	44627	44603
Drain Board	No	No	Yes	Yes	Yes
Number of Compartments	1	3	3	3	4
Size Compartment	10" x 14" x 10" (254 x 356 x 254 mm)				
Material	Stainless Steel				
Net Weight	35.2 lb. (16 kg.)	57.2 lb. (30 kg.)	110 lb. (50 kg.)	84 lb. (38 kg.)	86 lb. (39 kg.)
Net Dimensions (WDH)	14.5" x 18.75" x 33" (368 x 476 x 838 mm)	38.5" x 18.75" x 33" (978 x 476 x 838 mm)	60" x 18.75 x 33" (1524 x 476 x 838 mm)	72" x 18.75" x 33" (1829 x 476 x 838 mm)	82" x 18.75" x 33" (2083 x 476 x 838 mm)
Gross Weight	40 lb. (18 kg.)	65 lb. (29 kg.)	110 lb. (50 kg.)	80 lb. (44 kg.)	100 lb. (45 kg.)
Gross Dimensions (WDH)	19" x 16" x 15" (483 x 406 x 381 mm)	19" x 16" x 39" (483 x 406 x 991 mm)	19" x 16" x 61" (483 x 406 x 1550 mm)	19" x 16" x 73" (483 x 406 x 1854 mm)	19" x 16" x 83" (483 x 406 x 2108 mm)

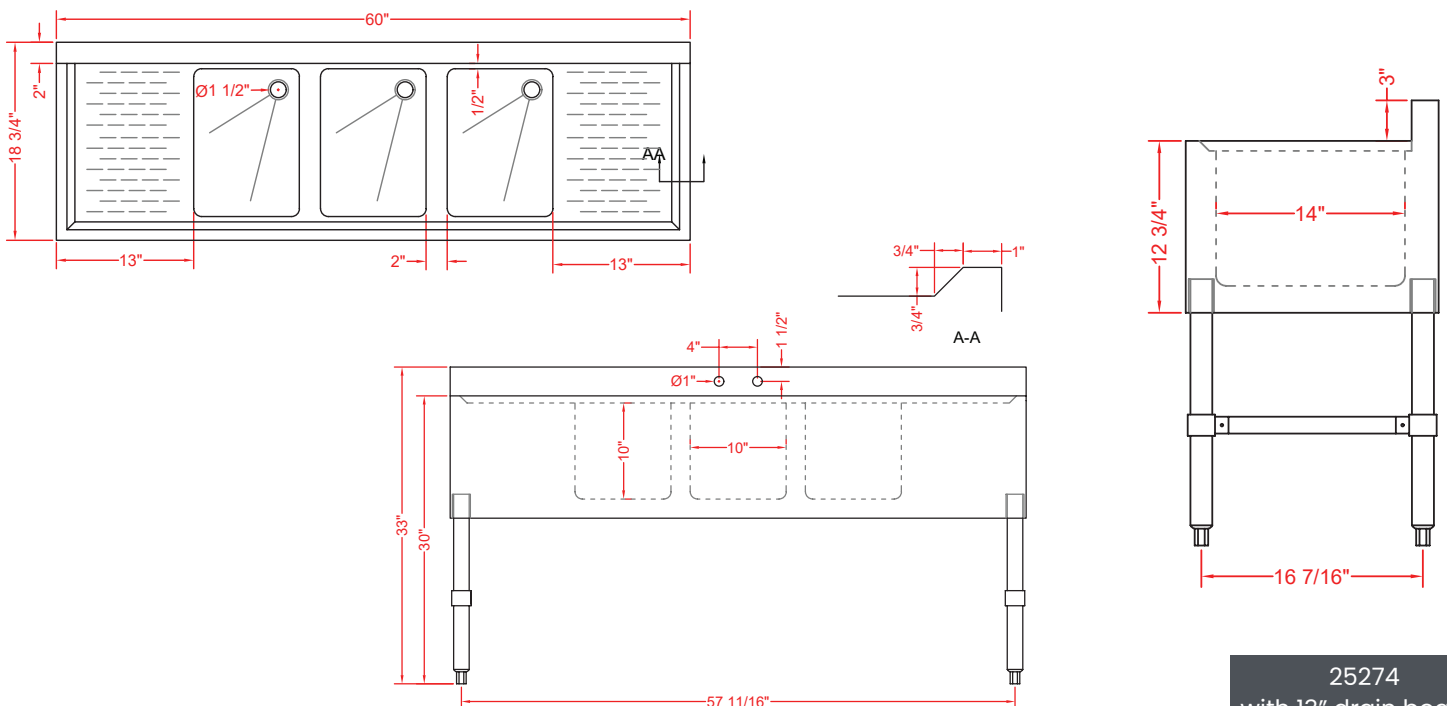
TECHNICAL DRAWING



TECHNICAL DRAWING



44601
no drain board



25274
with 13" drain boards

TECHNICAL DRAWING

