

Commercial Electric Stainless Steel Bowl Cutter

ITEM: 47711 47776
MODEL: FP-IT-0006 FP-IT-0012

47711



47776

Innovative and efficient

Cut, chop, grind and mix a variety of foods such as meats, cheese, vegetables, nuts, and breads with ease using this cutting-edge tool. Designed to streamline the cooking process, this bowl cutter features a sleek design and a powerful motor for a seamless cooking experience. All stainless-steel construction is corrosion resistant providing durability and appliance longevity.

FEATURES:

- All stainless steel construction for machine longevity
- Food-grade 3-blade hub
- Removable bowl cover for easy cleaning
- Stainless steel legs with rubber feet for stability
- Safety interlock for safety operation

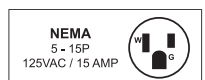
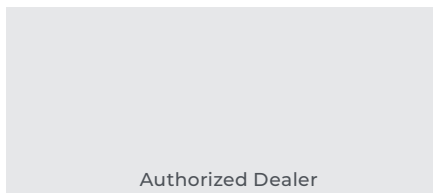


1-833-487-3686

www.trentoequipment.com

sales@trentoequipment.com

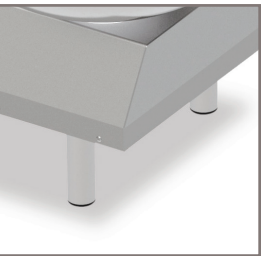
Follow us on social media
[@trentoequipment](#)





Convenience

The lid with an open mouth design allows for easy addition of food without interrupting the machine.



Non-drip Feet

3.6" legs with rubber feet guarantee stability on any surface, preventing tipping and other dangers.



Efficiency

The powerful ventilated asynchronous motor runs at 1680 RPM, the 3-blade hoop can make up to 5000 cuts per minute.



Easy-to-clean

The blade, bowl and lid can be quickly detached without tools needed for convenient cleaning to meet hygiene and food-safe standards.



Secure Operation

The machine's body and cover are tightly connected by interlock mechanism for safe operation.



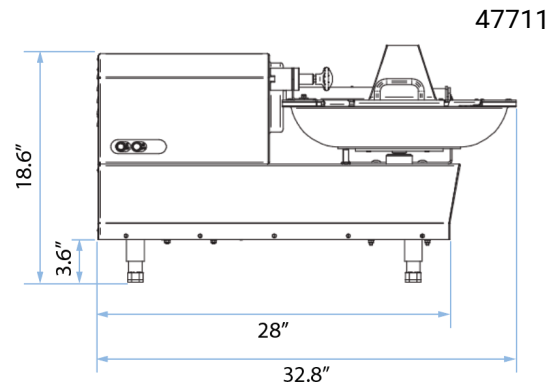
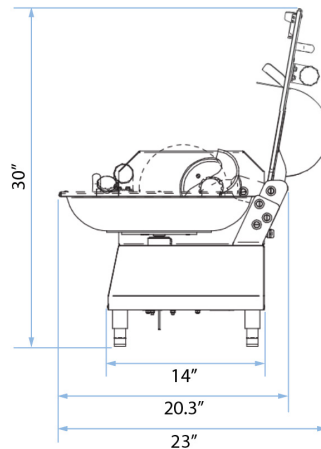
User-friendly

With IP67 waterproof and greaseproof ON/OFF button ensures easy usage.

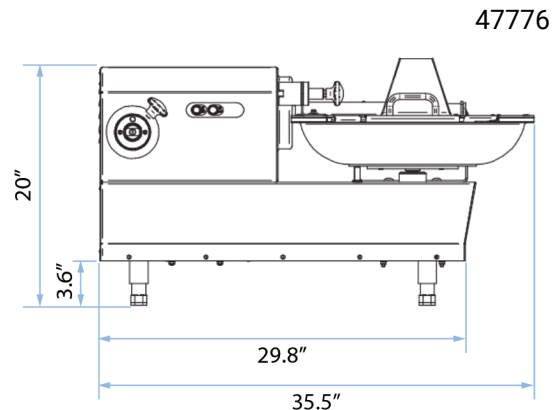
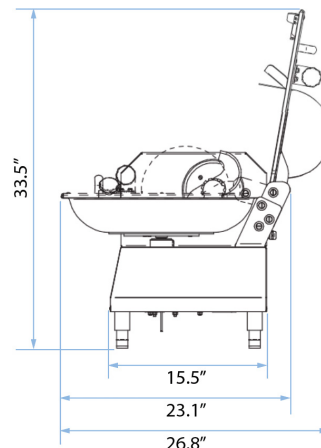
Technical Specification

Features	10 lb. Capacity	20 lb. Capacity
Item	47711	47776
Model	FP-IT-0006	FP-IT-0012
Bowl Capacity	10 lb. (4.5 kg.)	20 lb. (9 kg.)
Body Material	Stainless Steel	
RPM	1680	
Power	750 W / 1 hp	1400 W / 2 hp
Amps	6.8 A	12.6 A
Electrical	120V / 60Hz / 1Ph	
Net Weight	134 lb. (60.8 kg.)	156 lb. (70.8 kg.)
Net Dimensions (WDH)	20.3" x 32.8" x 18.6" (516 x 832 x 473mm)	23.1" x 35.5" x 20" (588 x 902 x 508mm)
Gross Weight	220 lb. (99.8 kg.)	240 lb. (108.9 kg.)
Gross Dimensions (WDH)	32" x 48" x 34" (812 x 1219 x 863 mm)	32" x 48" x 34" (812 x 1219 x 863 mm)
Plug Type	NEMA 5 - 15P	

Technical Drawings and Dimensions



47711



47776