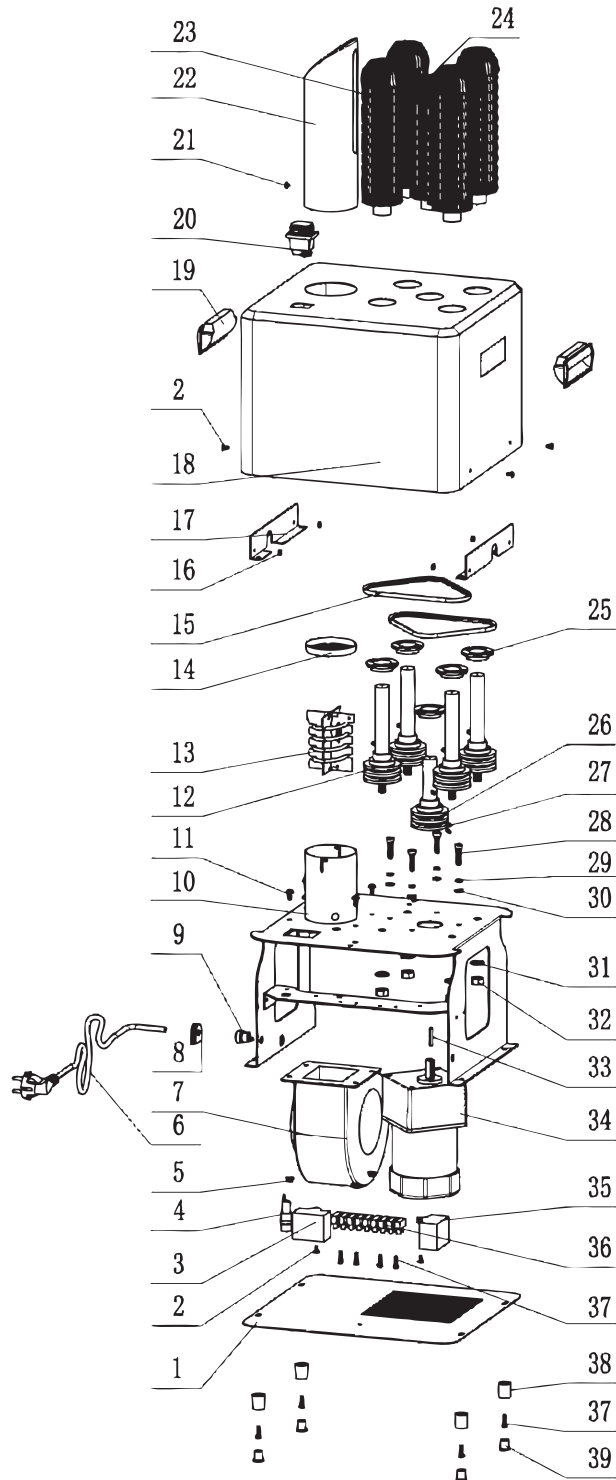


Parts Breakdown

Model GP-CN-0005 44516



Parts Breakdown

Model GP-CN-0005 44516

Item No.	Description	Position	Item No.	Description	Position	Item No.	Description	Position
68861	Bottom Plate Assembly for 44516	1	68884	Heating Element Pressure Ring for 44516	14	68897	M4x10 Hexagon Stud for 44516	27
68862	M4x8 Large Flat Head Screw for 44516	2	68885	Belt for 44516	15	68898	M6x20 Hexagon Screw for 44516	28
68863	Capacitor 1 for 44516	3	68886	M4 Hex Screw Nut for 44516	16	68899	Ø6 Spring Pad for 44516	29
68864	Fuse for 44516	4	68887	Shell Support Bar for 44516	17	68900	Ø6 Flat Pad for 44516	30
68865	M5 Hex Flange Nut for 44516	5	68888	Shell for 44516	18	68901	Ø10 Non-Slip Pad for 44516	31
68876	Power Cord for 44516	6	68889	Handle for 44516	19	68902	M10 Lock-Proof Hex Nut for 44516	32
68877	Fan Motor for 44516	7	68890	Power Switch for 44516	20	68903	Joint Block for 44516	33
68878	Power Cord Fixture for 44516	8	68891	M4x4 Flat Head Screw for 44516	21	68904	Motor for 44516	34
68879	Wire Buckle for 44516	9	68892	Hot Air Pipe for 44516	22	68905	Capacitor 2 for 44516	35
68880	Frame Bracket Assembly for 44516	10	68893	Long Brush for 44516	23	68906	Terminal for 44516	36
68881	M5x12 Round Head Screw for 44516	11	68894	Short Brush for 44516	24	68907	M4x16 Round Screw for 44516	37
68882	Shaft Assembly for 44516	12	68895	Shaft Cover (Optional) for 44516	25	68908	Foot for 44516	38
68883	Heating Element for 44516	13	68896	Drive Shaft for 44516	26	68909	Foot Pad for 44516	39