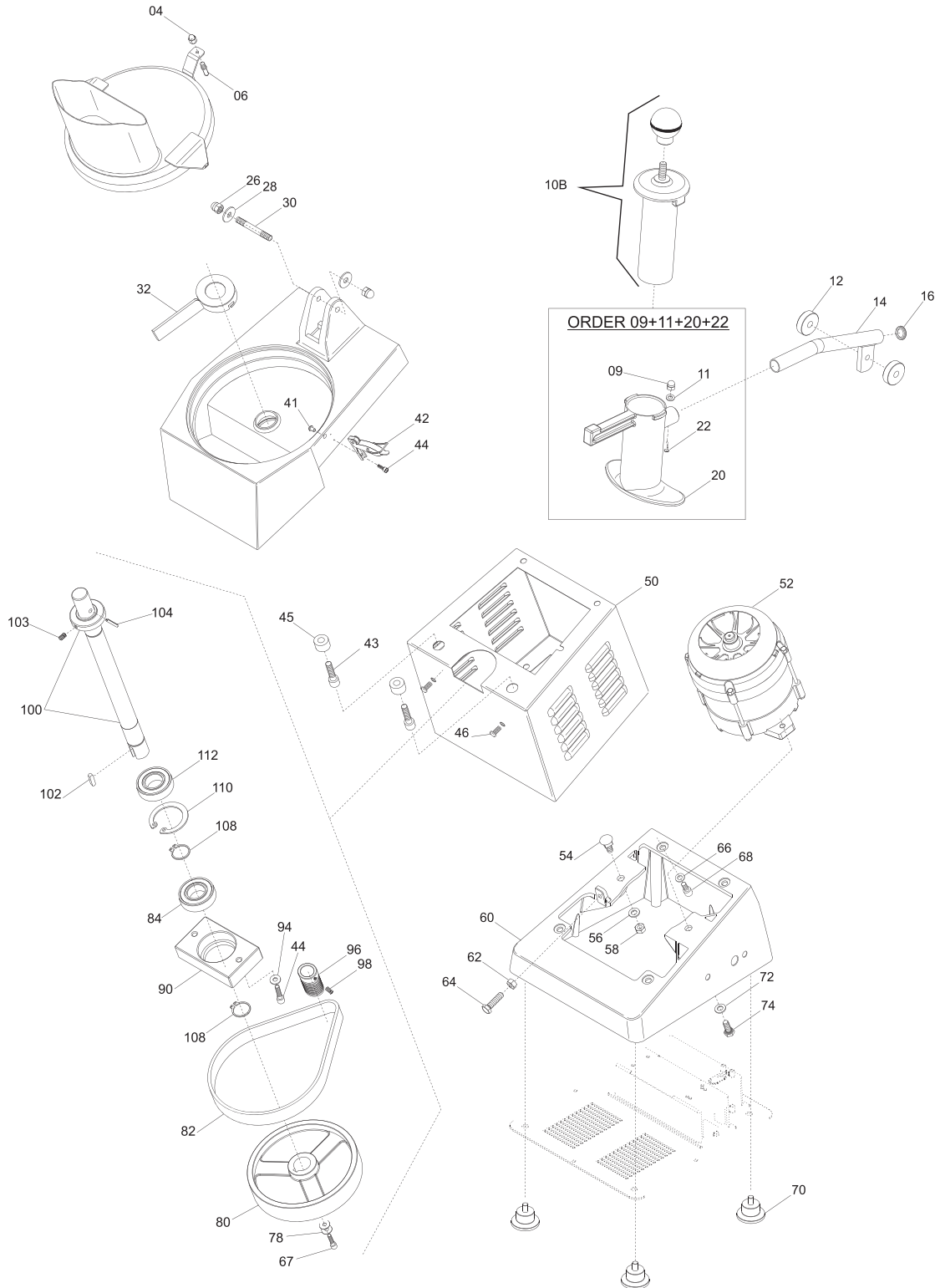


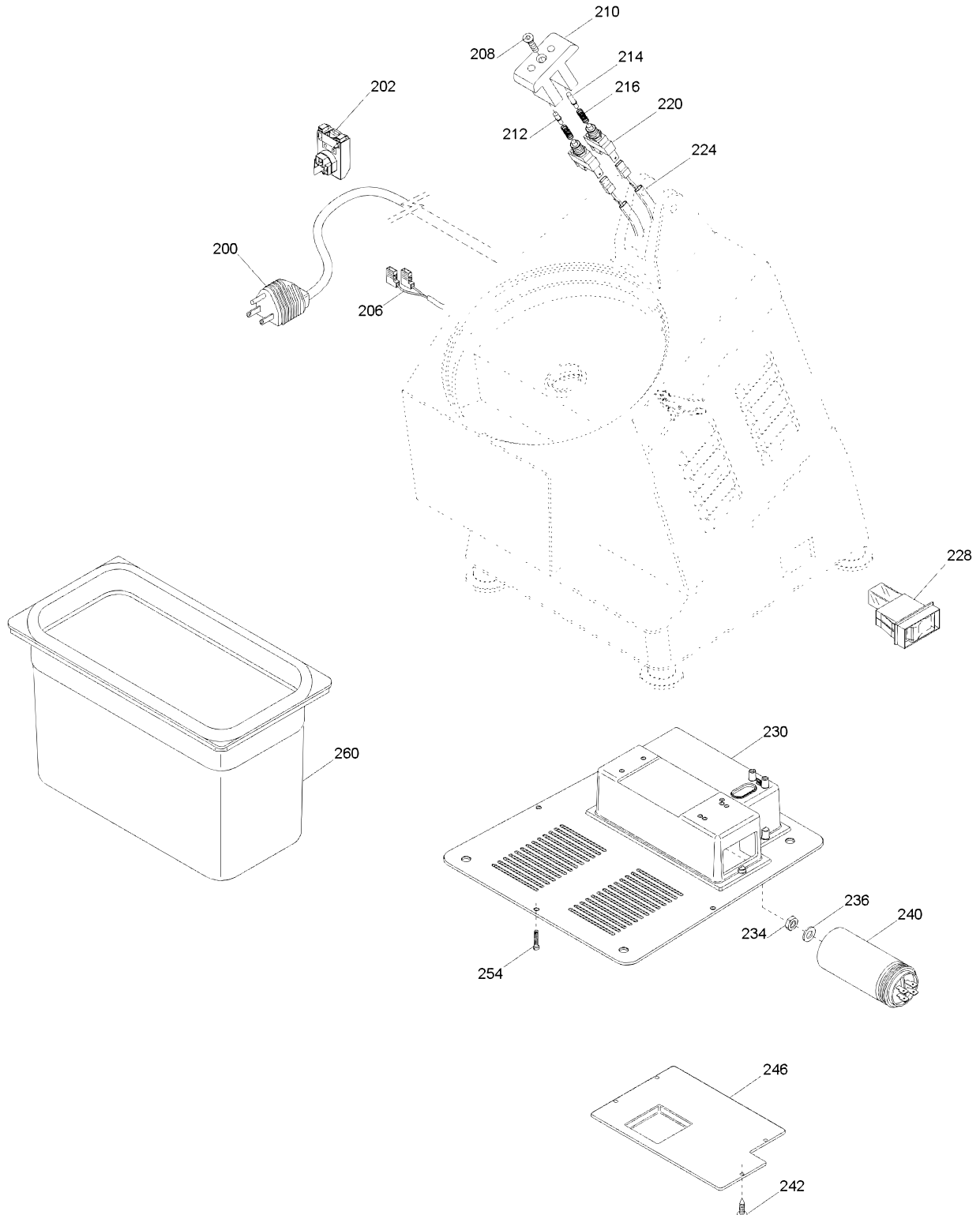
Parts Breakdown

Model **FP-IT-0300** 10927



Parts Breakdown

Model FP-IT-0300 10927



Parts Breakdown

Model FP-IT-0300 10927

Item No.	Description	Position	Item No.	Description	Position	Item No.	Description	Position
AN092	Cap Nut Din 1587 M4 for 10927	04, 09	62660	Washer F Wide Din 9021 D6x18 for 10927	47, 66	37335	Main Shaft Assembly D.20 for 10927	100
AN093	Lid Pin for Stainless Steel Lid for 10927	06	AN101	TEI Screw 6x12 for 10927	49, 68	37336	Set Pin 6x6x20 for 10927	102
16493	Pusher with Knob for 10927	10B	37326	Stainless Steel Cabinet with Louvers for 10927	50	37338	Insert for 10927	104
AH000	Washer Flat Din 125 D.4 for 10927	11	AN102	Motor 110/60 UL Thermal for 10927	52	19258	Retaining C-Clip Ext.Seeger D20 for 10927	108
37316	Nylon Spacer for 10927	12, 18	37328	Screw for 10927	54	19257	Retaining C-Clip Seeger D42 for 10927	110
37317	Stainless Steel Lever for 10927	14	62666	Hex.Nut Din 934 M8 for 10927	58, 62, 234	37339	US Power Cord 110V for 10927	200
37318	Plug for 10927	16	37329	Base/Frame for 10927	60	37340	Terminal Box for 10927	202
AN094	Presser for 10927	20	AH023	Screw TE Din 933 M8x35 T.F. for 10927	64	37341	Power Connection Cable for 10927	206
66090	Screw T.Poelier Cacc. M4x35 for Press. for 10927	22	37330	Washer 6x18 for 10927	66	AN106	Microswitch Housing W.2 Holes for 10927	210
62650	P Nut Din 1587 M8 for 10927	26	62661	Hex.Socket Head Cap Screw M6x20 for 10927	67	16485	Micro Plunger-Long UL Appr. for 10927	211, 214
AH015	Washer F.Larga DIN 9021 D6x24 for 10927	28, 56, 72	16496	Foot M8 for 10927	70	16484	Spacer Short Microswitch for 10927	212
24107	Stud Bolt M8 for 10927	30	AN103	Screw TE M.8x16 Inox for 10927	74	24106	Magnetic Sensor UL Appr. for 10927	219, 220
16455	Ejector for 10927	32	AH015	Washer F.Larga Din 9021 D6x24 for 10927	78, 94	37344	Microswitch Wiring US Market for 10927	224
AN095	Aluminum Mushroom 5x10 for 10927	41	37331	Belt Pulley for 10927	80	16452	On/Off Switch TM Weber 120V with Relay for 10927	228
AN096	Locking Clamp for 10927	42	16481	Belt J 483x8 for 10927	82	37345	Bottom Enclosure Panel for 10927	230
AN097	Hex.Socket Head Cap Screw M6x14 for 10927	43	AN104	Ball Bearing PLD ING. 6004 LLU/5K for 10927	84, 112	AN107	Capacitor 25 UF DKT for 10927	240
AN098	Screw M6x18 for 10927	44	37332	Bearing Block for 10927	84 + 90	AN108	Protection Cover for 10927	246
AN099	Spacer Bush 22x15 Cabinet for 10927	45	37334	Motor Pulley for 10927	96	AN109	Tray 1/3 H.200 Transparent UL for 10927	260
AN100	Slide Attachment Screw for 10927	46	AN105	Grub Screw Din 916 M6x6 for 10927	98			