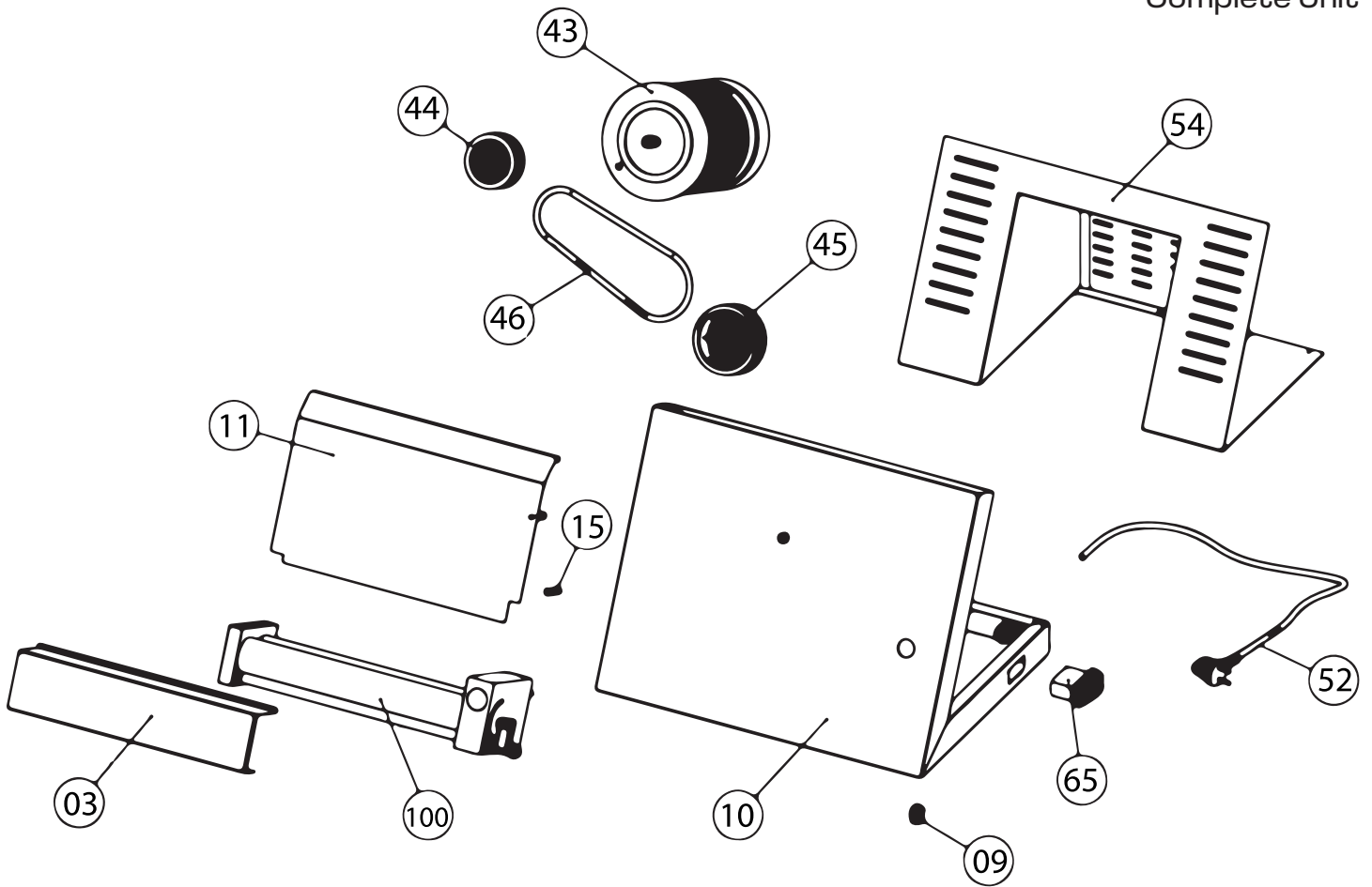


# PARTS BREAKDOWN

ITEM	MODEL
40639	BE-IT-0337

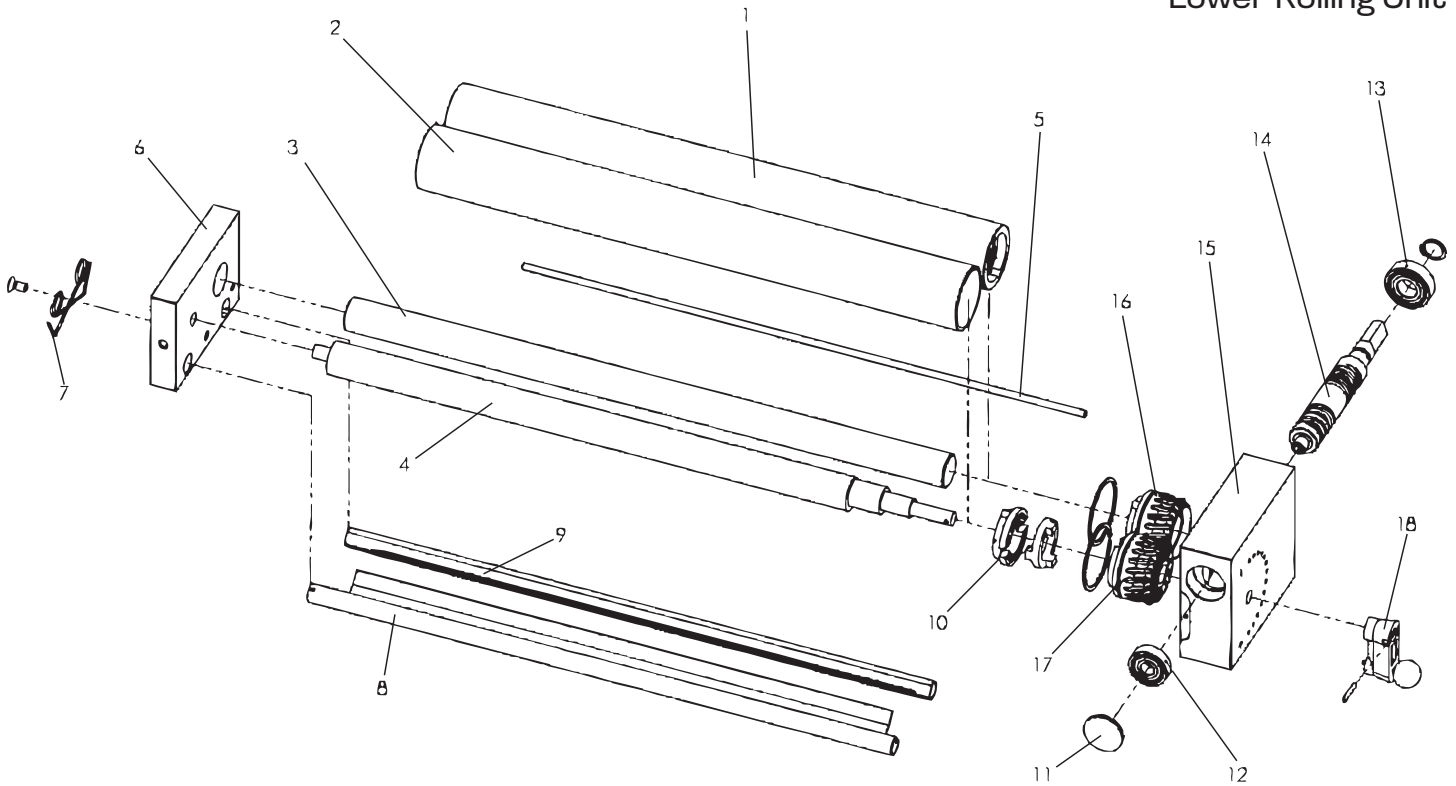
Complete Unit



# PARTS BREAKDOWN

ITEM	MODEL
40639	BE-IT-0337

Lower Rolling Unit



# PARTS BREAKDOWN

ITEM	MODEL
40639	BE-IT-0337

## Complete Unit

Item No.	Description	Position	Item No.	Description	Position	Item No.	Description	Position
63576	Rear Guard for 40639	03	63580	Motor 110V-60Hz 0.25kW-0.33HP B5 for 40639	43	63581	Motor Casing Assembly for 40639	54
79651	Black Corner Foot Rivet for 40639	09	63557	Plastic Motor Pulley for 40639	44	A0319	KLD-28A Start/Stop Green/Red Button for 40639	65
63577	Steel Enclosure for 40639	10	63558	Plastic Reduction Pulley for 40639	45	63180	Lower Roller Unit (Grey) for 40639	100
63578	Steel Slide for 40639	11	60331	Belt 8x560 for 40639	46			
63554	10x37 Upper Spacer for 40639	15	63560	Feed Cable SJT3X14AWG for 40639	52			

## Lower Rolling Unit

Item No.	Description	Position	Item No.	Description	Position	Item No.	Description	Position
63582	Lower Cylindrical Roller 1 for 40639	1	63569	Front Aluminum Pizza Dough Scraper 1 for 40639	8	63575	Lower Reduction Gear Support 1 for 40639	15
63583	Lower Eccentric Roller 1 for 40639	2	63570	Back Aluminum Pizza Dough Scraper 1 for 40639	9	79647	Cylindrical Gear for 40639	16
63584	Lower Cylindrical Shaft 1 for 40639	3	79646	Male/Female Group Joint for 40639	10	79648	Eccentric Gear for 40639	17
63585	Lower Eccentric Shaft 1 for 40639	4	63571	Red Ral 3020 Cap 1 for 40639	11	79649	Thickness Adjustment Group (Red) for 40639	18
63567	5x438 Steel Rod 1 for 40639	5	63572	6200 ZZ Bearing 1 for 40639	12	AQ741	Elastic Pin for 40639	
63568	Lower Small Support 1 for 40639	6	63573	6202 ZZ Bearing 1 for 40639	13			
79650	Pizza Dough Scraper Spring for 40639	7	63574	Cylindrical Screw (Rolls Center Distance of 50) for 40639	14			