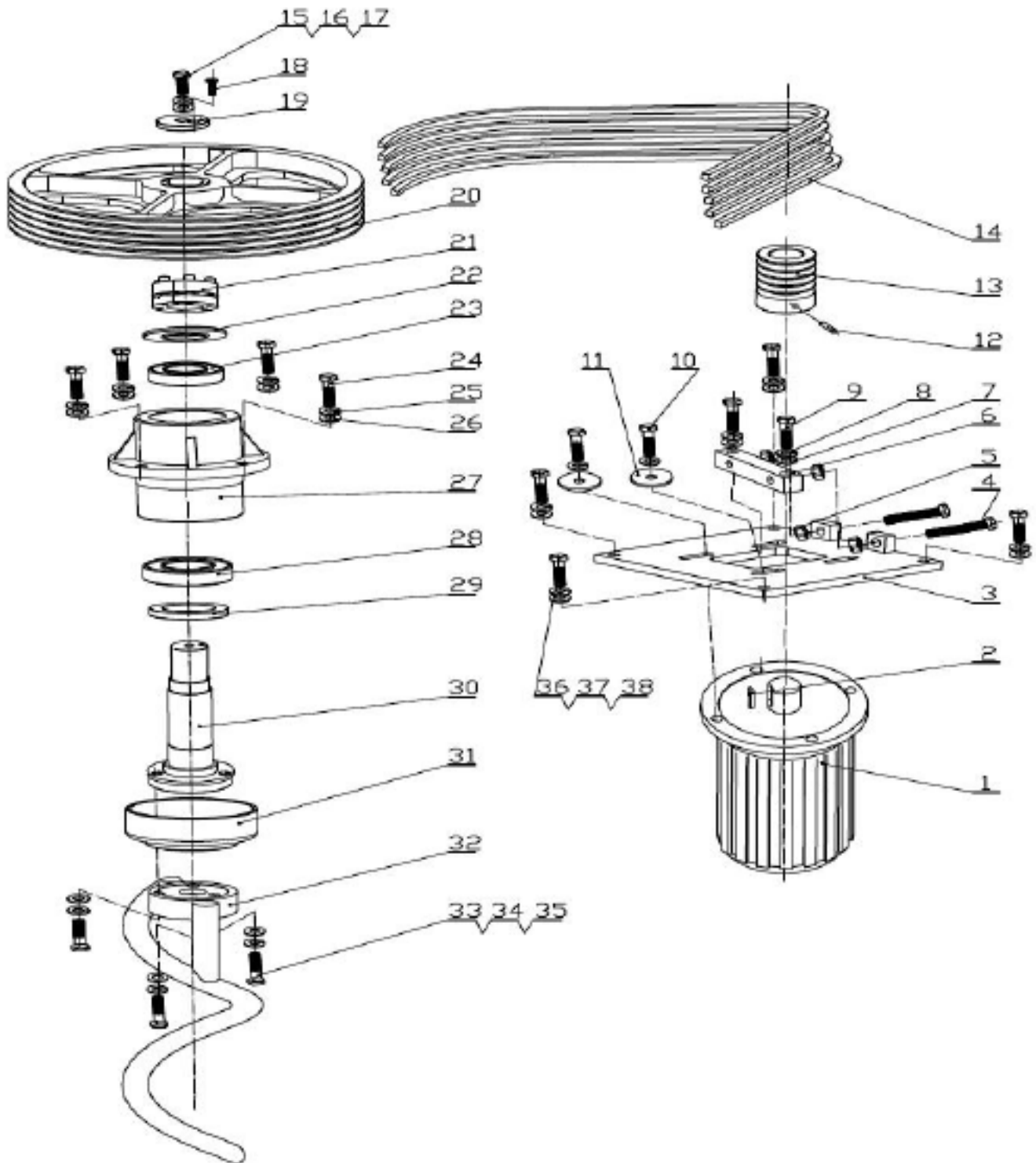


# Parts Breakdown

Model MX-CN-0127 27767

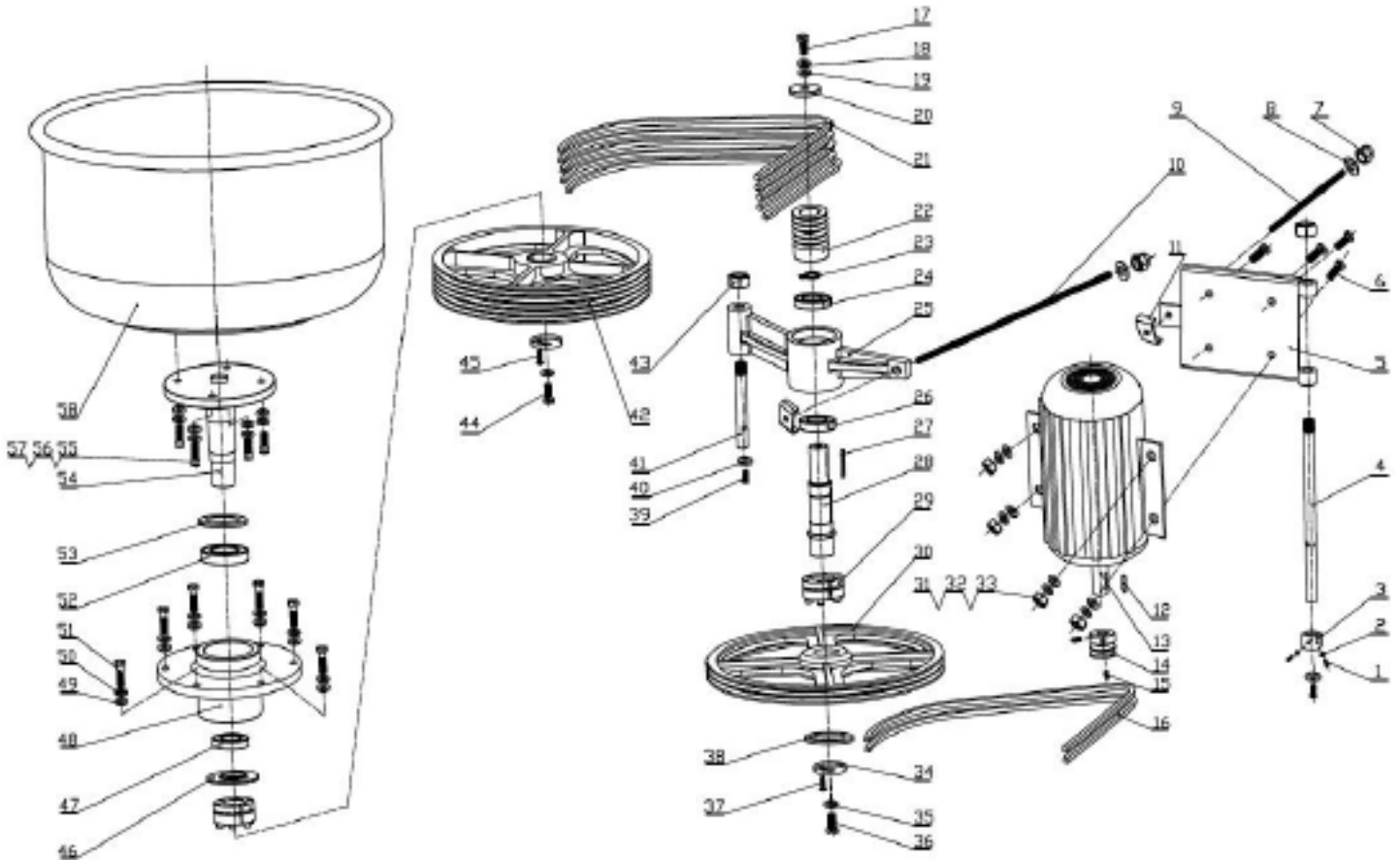
Hook and Motor



# Parts Breakdown

Model MX-CN-0127 27767

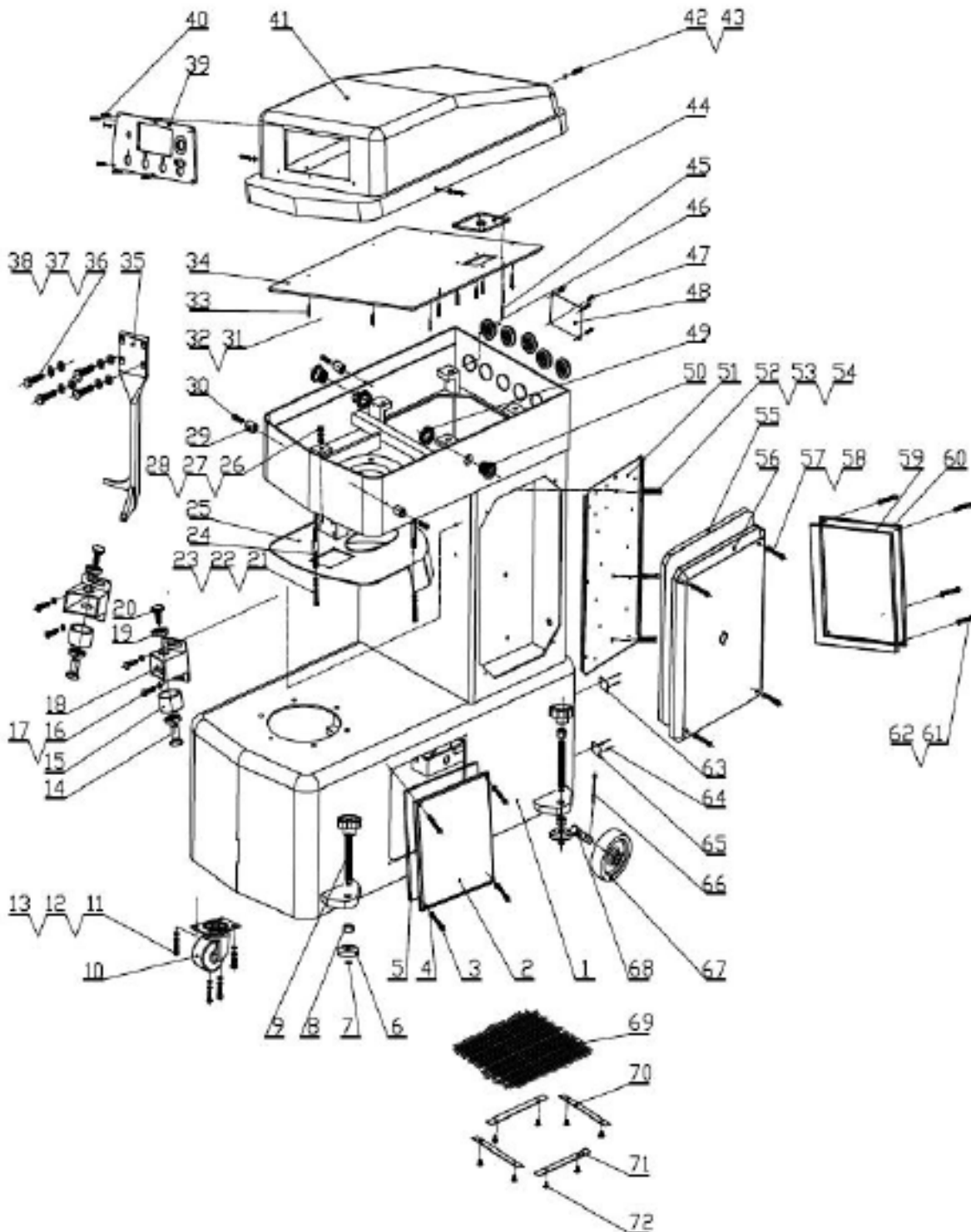
Bowl and Motor



# Parts Breakdown

Model MX-CN-0127 27767

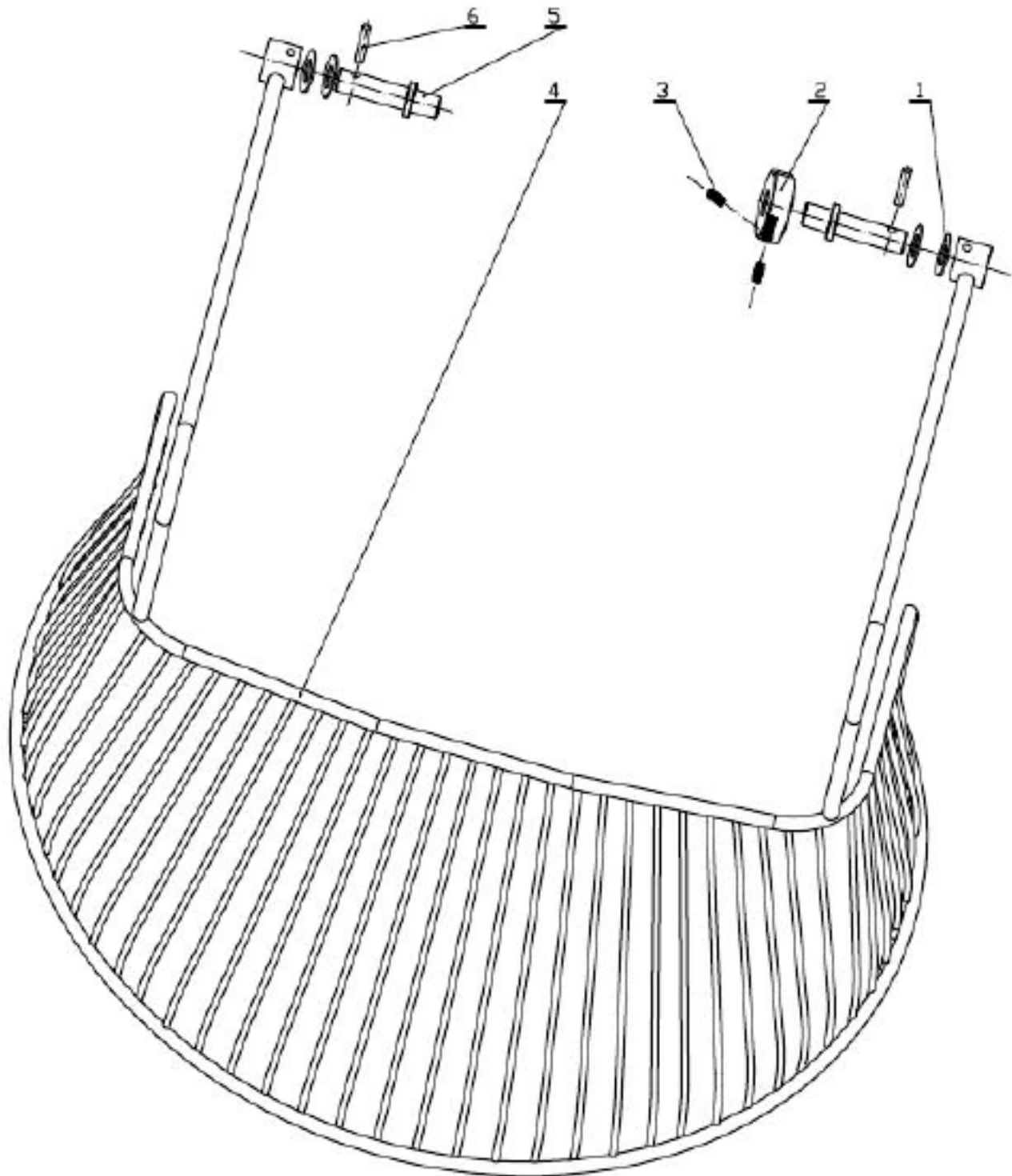
Body Components



# Parts Breakdown

Model MX-CN-0127 27767

Guard



# Parts Breakdown

**Model MX-CN-0127** 27767

**Hook and Motor**

Item No.	Description	Position	Item No.	Description	Position	Item No.	Description	Position
65298	220V/60HZ/3 Motor and Flat Key 10 for 27767	1+2	65303	Hex Bolt M12x35 for 27767	15	28663	Bearing 33210-Z for 27767	28
65299	Setting Board for Motor for 27767	3	25047	Spacer for 27767	16	65315	Clamp Plate 60/88x10 for 27767	29
65300	Bolts M12x120 for 27767	4	25030	Spring Washers for 27767	17	65316	Main Shaft for 27767	30
25029	Nut for 27767	5	65308	Socket Head Cap Screw M6x30 for 27767	18	65317	Decorative Cover for 27767	31
65301	Adjust Seat for 27767	6	65309	Shaft Cover for 27767	19	65318	Hook for 27767	32
25047	Spacer for 27767	7	65310	Main Shaft Half-Axis Belt Wheel for 27767	20	65319	Stainless Steel Hex Bolt M12x50 for 27767	33
25030	Spring Washers for 27767	8	65311	Connecting Set 35x60 for 27767	21	65320	Stainless Steel Flat Pad for 27767	34
65302	Hex Bolt M12x55 for 27767	9	65312	Clamp Plate for 27767	22	65321	Stainless Steel Spring Washer $\Phi$ 12 for 27767	35
65303	Hex Bolt M12x55 for 27767	10	28665	Bearing 6209-Z for 27767	23	65313	Hex Bolt M12x30 for 27767	36
65304	Clamp Plate $\Phi$ 12 for 27767	11	65313	Hex Bolt M12x30 for 27767	24	25047	Spacer for 27767	37
65305	Socket Head Cap Screw M8x16 for 27767	12	25047	Spacer for 27767	25	25030	Spring Washers for 27767	38
65306	Half-Axis Belt Wheel for 27767	13	25030	Spring Washers for 27767	26			
65307	Belt 13PL1613 for 27767	14	65314	Main Shaft Seat for 27767	27			

# Parts Breakdown

## Model MX-CN-0127 27767

## Bowl and Motor

Item No.	Description	Position	Item No.	Description	Position	Item No.	Description	Position
65322	Socket Head Cap Screw M8x20 for 27767	1	28662	Belt SPZ1525 for 27767	21	65345	Clamp Plate 28/10.5 for 27767	40
25068	Nut for 27767	2	65335	Motor Belt Wheel for 27767	22	65346	Shaft Seat Axis for 27767	41
65323	Pin Sets for 27767	3	65336	Shaft Ring 40 for 27767	23	65347	Main Shaft Belt Wheel for 27767	42
65324	Spindle for Motor for 27767	4	28664	Bearing 6208-Z for 27767	24	65348	Nut M20 for 27767	43
65325	Motor Install Seat for 27767	5	65337	Driver Shaft Bearing Seat for 27767	25	65313	Hex Bolt M12x30 for 27767	44
65326	Hex Bolt M10x30 for 27767	6	28664	Bearing 6208-Z for 27767	26	65308	Socket Head Cap Screw M6x30 for 27767	45
65327	Nut M10 for 27767	7	65338	Flat Key A10x50 for 27767	27	65312	Clamp Plate for 27767	46
65328	Clamp Plate 28/10.5 for 27767	8	65339	Driver Shaft for 27767	28	28665	Bearing 6209-Z for 27767	47
65329	Short Stem for 27767	9	65311	Connecting Set 35x60 for 27767	29	65349	Bowl Shaft Seat for 27767	48
65330	Long Stem for 27767	10	65340	Big Belt Wheel of Shaft for 27767	30	65320	Stainless Steel Flat Pad for 27767	49
65331	Stem Support for 27767	11	24883	Nut for 27767	31	65321	Stainless Steel Spring Washer $\Phi$ 12 for 27767	50
65332	220V/60HZ/3 Motor and Flat Key 6x40 for 27767	12+13	24882	Ring for 27767	32	65350	Stainless Steel Hex Bolt M12x40 for 27767	51
65333	Belt Wheel of Bowl Motor for 27767	14	24939	Spacer for 27767	33	28663	Bearing 33210-Z for 27767	52
65305	Socket Head Cap Screw M8x16 for 27767	15	65309	Shaft Cover for 27767	34	65315	Clamp Plate 60/88x10 for 27767	53
28661	Belt SPZ1462 for 27767	16	25030	Spring Washers for 27767	35	65351	Bowl Shaft Seat for 27767	54
65303	Hex Bolt M12x35 for 27767	17	65342	Hex Bolt M12x40 for 27767	36	65352	Stainless Steel Hex Bolt M12x35 for 27767	55
25030	Spring Washers for 27767	18	65308	Socket Head Cap Screw M6x30 for 27767	37	65321	Stainless Steel Spring Washer $\Phi$ 12 for 27767	56
25047	Spacer for 27767	19	65343	Clamp Plate for 27767	38	65320	Stainless Steel Flat Pad for 27767	57
65334	Shaft Cover for 27767	20	65344	Hex Bolt M10x20 for 27767	39	65353	Bowl for 27767	58

# Parts Breakdown

## Model MX-CN-0127 27767

## Body Components

Item No.	Description	Position	Item No.	Description	Position	Item No.	Description	Position
65354	Chassis Sub-Assembly for 27767	1	65373	Back Protect Guard for 27767	25	65391	Nut M25x1.5 for 27767	49
65355	View Hole Cover for 27767	2	25068	Nut for 27767	26	65392	Fixed Pin Sets for 27767	50
65356	Stainless Steel Hex Bolt M5x20 for 27767	3	65374	Flat Pad Φ8 for 27767	27	65393	Electrical Installation for 27767	51
65357	Stainless Steel Flat Pad Φ5 for 27767	4	25096	Spring Washer Φ8 for 27767	28	65394	Philips Screw M6x20 for 27767	52
65358	Sealing Tape for 27767	5	65375	Pin Sets for 27767	29	65395	Flat Pad Φ6 for 27767	53
65359	Adjust Feet Support Seat for 27767	6	65376	Stainless Steel Socket Head Cap Screw M8x25 for 27767	30	39316	Locking Washer for Screws for Back Housing for 27767	54
24898	Circlips for Shaft for 27767	7	65377	Philips Screw M4x10 for 27767	31	65358	Sealing Tape for 27767	55
65360	Stainless Steel Hex Nut M16 for 27767	8	65378	Flat Pad Φ4 for 27767	32	65396	Electronic Control Panel for 27767	56
65361	Planetary Handle M16 for 27767	9	65379	Philips Screw ST4.2x16 for 27767	33	65397	Stainless Steel Hex Bolt M5x50 for 27767	57
65362	Industrial Wheels 100 for 27767	10	65380	Cover Board for 27767	34	65357	Stainless Steel Flat Pad Φ5 for 27767	58
65344	Hex Bolt M10x20 for 27767	11	65381	Fixed Block Shaft for 27767	35	65358	Sealing Tape for 27767	59
24882	Ring for 27767	12	65382	Stainless Steel Hex Bolt M12x30 for 27767	36	65355	View Hole Cover for 27767	60
24939	Spacer for 27767	13	65320	Stainless Steel Flat Pad for 27767	37	65356	Stainless Steel Hex Bolt M5x20 for 27767	61
65363	Block Wheel Shaft for 27767	14	65321	Stainless Steel Spring Washer Φ12 for 27767	38	65357	Stainless Steel Flat Pad Φ5 for 27767	62
65364	Block Wheel Ontology for 27767	15	65383	Button Electronic Control Panel for 27767	39	65398	Belt Tensioner Mark for 27767	63
65365	Stainless Steel Hex Bolt M8x16 for 27767	16	65384	Stainless Steel Philips Screw ST4.2x19 for 27767	40	65399	Blind Rivets Φ3x9 for 27767	64
65366	Stainless Steel Flat Pad Φ8 for 27767	17	65385	Cover for 27767	41	65400	Rotating Tensioner Mark for 27767	65
65367	Block Wheel Seat for 27767	18	65386	Stainless Steel Philips Screw M4x10 for 27767	42	65401	Pin 4x50 for 27767	66
25084	Bearing for 27767	19	65387	Nylon Flat Pad Φ4 for 27767	43	65402	Industrial Wheels 110 for 27767	67
65368	Block Wheel Bolts for 27767	20	65388	Wire Fixed Board for 27767	44	65403	Back Wheel Shaft for 27767	68
65369	Stainless Steel Philips Screw M6x10 for 27767	21	65379	Philips Screw ST4.2x16 for 27767	45	65404	Stainless Steel Wire Mesh for 27767	69
65370	Stainless Steel Flat Pad Φ6 for 27767	22	65389	Cooling Hole Cover for 27767	46	65405	Wire Mesh Layering for 27767	70
65371	Stainless Steel Spring Washer Φ6 for 27767	23	39345	Screw for Back Cover for 27767	47	65406	Wire Mesh Layering for 27767	71
65372	Screw for 27767	24	65390	Brand for 27767	48	65407	Stainless Steel Philips Screw M5x12 for 27767	72

## Guard

Item No.	Description	Position	Item No.	Description	Position	Item No.	Description	Position
65408	Plate for 27767	1	65410	Switch Block Wheel M6x16 for 27767	3	65412	Pin for 27767	5
65409	Switch Block Wheel for 27767	2	65411	Front Protect Guard for 27767	4	65413	Spring Pin 4x30 for 27767	6