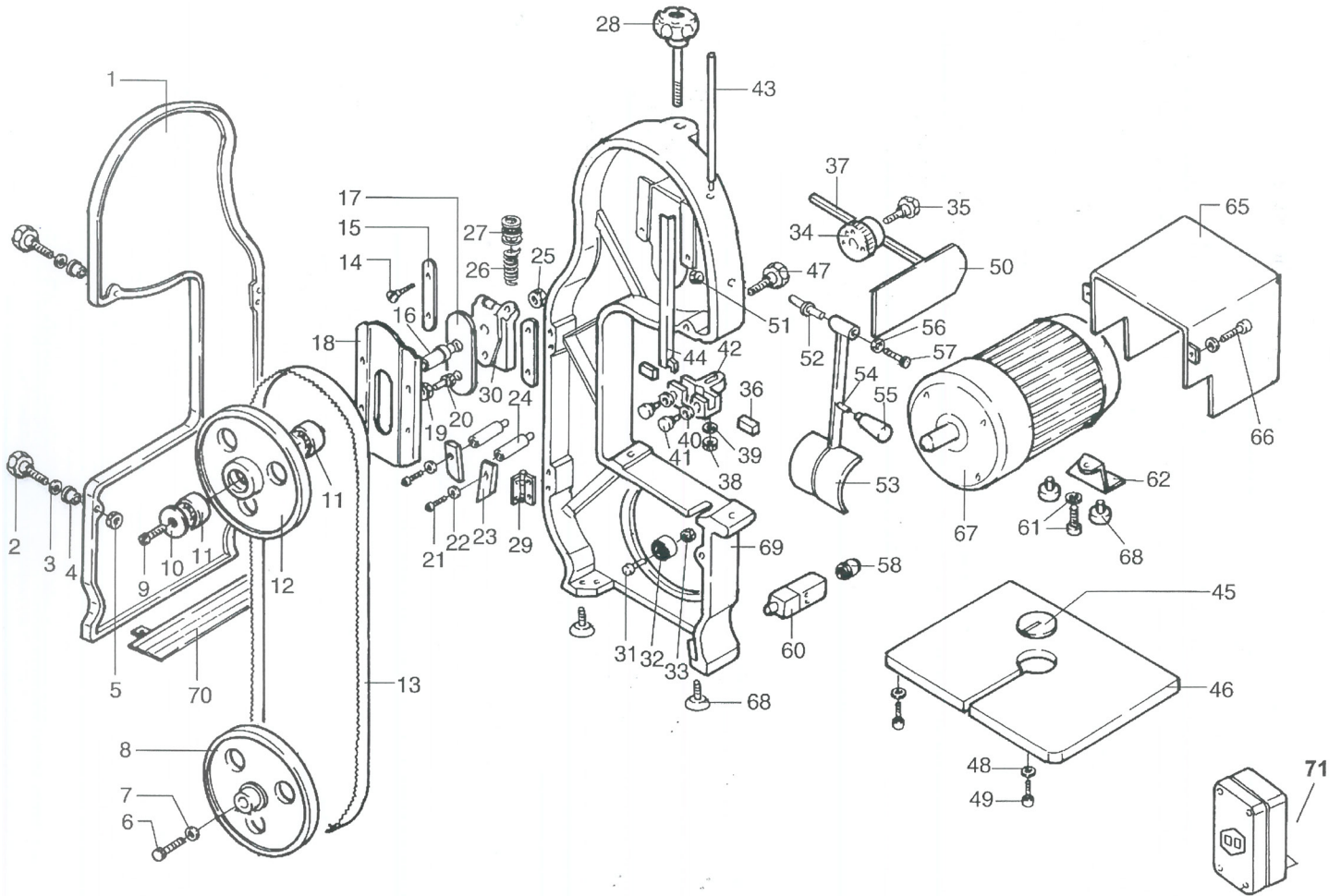


# PARTS BREAKDOWN

ITEM	MODEL
45506	BS-IT-1829-M



# PARTS BREAKDOWN

ITEM	MODEL
45506	BS-IT-1829-M

Item No.	Description	Position	Item No.	Description	Position
34880	Painted Door for 45506	1	34898	Cutting Guide (Height 95mm) and Pole for 45506	37, 50
16445	Knob to Close the Opening Complete for 45506	2 - 5	34900	Nut and Washer for 45506	38, 39
34882	Lower Fly-Wheel Screw and Washer for 45506	6, 7	34901	Blade Guide Ring Nut in Aluminum for 45506	40
17777	Lower Fly-Wheel for 45506	8	34902	Blade Guide Knob for 45506	41
34885	Fly-Wheel and Screw to Protect from Dust for 45506	9, 10	17774	Blade Guide for 45506	42
34886	Bearing 6203 2RS for 45506	11	34903	Blade Guide Pole for 45506	43
34887	Upper Fly-Wheel for 45506	12	17775	Blade Protection for 45506	44
10316	60 Band Saw Blade 322 for 45506	13	17853	Bakelite Plate for 45506	45
34888	Washer Support and Screw for 45506	14, 15	34906	Working Table 33cmx33cm for 45506	46, 48 - 49
34889	Pivot Upper Fly-Wheel for 45506	16, 25	17772	Knob of the Blade Guide Pole for 45506	47
34890	Lamination for 45506	17	41245	Meat Pusher for 45506	51 - 57
34891	Tension Slide for 45506	18	34976	Cable Closer PG 11 for 45506	58
34892	Adjustment Fly-Wheel Screw and Nut for 45506	19, 20	34912	Microswitch for 45506	60
22052	Shavehook for 45506	21 - 23	AP823	Motor Support Screw + Washer + Nut (n° 2) for 45506	61
34908	Shavehook Pivot for 45506	24	AP824	Motor Support for 45506	62
34894	Tension Grip Spring for 45506	26	34914	Motor Cover for 45506	65
34895	Tension Grip Bearing for 45506	27	AP825	Screw and Washer Case Cap Motor (n° 4) for 45506	66
34896	Tension Grip Knob for 45506	28	17768	Motor Single-Phase for 45506	67
34897	Hinge for 45506	29	20206	Rubber Foot for 45506	68
34893	Slide for 45506	30	34909	Housing for 45506	69
17770	Pivot and Bearing for 45506	31 - 33	AP826	Lower Guard for 45506	70
17771	Cutting Guide Support and Knob for 45506	34, 35	44776	New Style Rotary Switch and Safety Relay and Box for 45506	71
16447	Blade Guide Insert for 45506	36	34911	Plug for 45506	