



Gravity Meat Slicers

*Models MS-IT-0220-B, 0220-U, 0250-B, 0250-U, 0250-I, 0250-IP,
0275-I, 0275-IP, 0300-B, 0300-U, 0300-I
Items 13610, 13616, 13618, 13620, 13621, 13623, 13625, 13624,
13626, 13628, 21624*

Instruction Manual



Revised - 11/27/2023



Toll Free: 1-800-465-0234
Fax: 905-607-0234
Email: service@omcan.com
www.omcan.com



Table of Contents

Model MS-IT-0220-B / Model MS-IT-0220-U / Model MS-IT-0250-B
Model MS-IT-0250-U / Model MS-IT-0250-I / Model MS-IT-0250-IP
Model MS-IT-0275-I / Model MS-IT-0275-IP / Model MS-IT-0300-B
Model MS-IT-0300-U / Model MS-IT-0300-I

Section	Page
General Information -----	3 - 4
Safety and Warranty -----	4 - 6
Technical Specifications -----	6 - 8
Installation -----	8 - 9
Operation -----	10
Maintenance -----	10 - 13
Troubleshooting -----	14 - 15
Instructions Français -----	15 - 26
Parts Breakdown -----	27 - 42
Electrical Schematics -----	43 - 44
Notes -----	45 - 46
Warranty Registration -----	47



General Information

Omcan Manufacturing and Distributing Company Inc., Food Machinery of America, Inc. dba Omcan and Omcan Inc. are not responsible for any harm or injury caused due to any person's improper or negligent use of this equipment. The product shall only be operated by someone over the age of 18, of sound mind, and not under the influence of any drugs or alcohol, who has been trained in the correct operation of this machine, and is wearing authorized, proper safety clothing. Any modification to the machine voids any warranty, and may cause harm to individuals using the machine or in the vicinity of the machine while in operation.

CHECK PACKAGE UPON ARRIVAL

Upon receipt of an Omcan shipment please inspect for external damage. If no damage is evident on the external packaging, open carton to ensure all ordered items are within the box, and there is no concealed damage to the machine. If the package has suffered rough handling, bumps or damage (visible or concealed), please note it on the bill of lading before accepting the delivery and contact Omcan within 24 hours, so we may initiate a claim with the carrier. A detailed report on the extent of the damage caused to the machine must be filled out within three days, from the delivery date shown in the shipping documents. Omcan has no recourse for damaged products that were shipped collect or third party.

Before operating any equipment, always read and familiarize yourself with all operation and safety instructions.

Omcan would like to thank you for purchasing this machine. It's of the utmost importance to save these instructions for future reference. Also save the original box and packaging for shipping the equipment if servicing or returning of the machine is required.

Omcan Fabrication et distribution Compagnie Limitée et Food Machinery d'Amérique, dba Omcan et Omcan Inc. ne sont pas responsables de tout dommage ou blessure causé du fait que toute personne ait utilisé cet équipement de façon irrégulière. Le produit ne doit être exploité que par quelqu'un de plus de 18 ans, sain d'esprit, et pas sous l'influence d'une drogue ou d'alcool, qui a été formé pour utiliser cette machine correctement, et est vêtu de vêtements de sécurité appropriés. Toute modification de la machine annule toute garantie, et peut causer un préjudice à des personnes utilisant la machine ou des personnes à proximité de la machine pendant son fonctionnement.

VÉRIFIEZ LE COLIS DÈS RÉCEPTION

Dès réception d'une expédition d'Omcan veuillez inspecter pour dommages externes. Si aucun dommage n'est visible sur l'emballage externe, ouvrez le carton afin de s'assurer que tous les éléments commandés sont dans la boîte, et il n'y a aucun dommage dissimulé à la machine. Si le colis n'a subi aucune mauvaises manipulations, de bosses ou de dommages (visible ou cachée), notez-le sur le bond de livraison avant d'accepter la livraison et contactez Omcan dans les 24 heures qui suivent, pour que nous puissions engager une réclamation auprès du transporteur. Un rapport détaillé sur l'étendue des dommages causés à la machine doit être rempli dans un délai de trois jours, à compter de la date de livraison indiquée dans les documents d'expédition. Omcan n'a aucun droit de recours pour les produits endommagés qui ont été expédiés ou cueilli par un tiers transporteur.

General Information

Avant d'utiliser n'importe quel équipement, toujours lire et vous familiariser avec toutes les opérations et les consignes de sécurité.

Omcan voudrais vous remercier d'avoir choisi cette machine. Il est primordial de conserver ces instructions pour une référence ultérieure. Également conservez la boîte originale et l'emballage pour l'expédition de l'équipement si l'entretien ou le retour de la machine est nécessaire.

Omcan Empresa De Fabricacion Y Distribucion Inc. Y Maquinaria De Alimentos De America, Inc. dba Omcan y Omcan Inc. no son responsables de ningun daño o perjuicio causado por cualquier persona inadecuada o el uso descuidado de este equipo. El producto solo podra ser operado por una persona mayor de 18 años, en su sano juicio y no bajo alguna influencia de droga o alcohol, y que este ha sido entrenado en el correcto funcionamiento de esta máquina, y ésta usando ropa apropiada y autorizada. Cualquier modificación a la máquina anula la garantía y puede causar daños a las personas usando la máquina mientras esta en el funcionamiento.

REVISE EL PAQUETE A SU LLEGADA

Tras la recepcion de un envio Omcan favor inspeccionar daños externos. Si no hay daños evidentes en el empaque exterior, Habra el carton para asegurarse que todos los articulos solicitados estén dentro de la caja y no encuentre daños ocultos en la máquina. Si el paquete ha sufrido un manejo de poco cuidado, golpes o daños (visible o oculto) por favor anote en la factura antes de aceptar la entrega y contacte Omcan dentro de las 24 horas, de modo que podamos iniciar una reclamación con la compañía. Un informe detallado sobre los daños causados a la máquina debe ser llenado en el plazo de tres días, desde la fecha de entrega que se muestra en los documentos de envío. Omcan no tiene ningun recurso por productos dañados que se enviaron a recoger por terceros.

Antes de utilizar cualquier equipo, siempre lea y familiarizarse con todas las instrucciones de funcionamiento y seguridad.

Omcan le gustaría darle las gracias por la compra de esta máquina. Es de la mayor importancia para salvar estas instrucciones para futuras consultas. Además, guarda la caja original y el embalaje para el envío del equipo si servicio técnico o devolución de la máquina que se requiere.

Safety and Warranty

LIMITS OF USE – SAFETY NORMS

These machine were designed and built to slice foodstuff in compliance to the norms of the CE 2006/95/EEC, 93/68/EEC, 2006/42/EEC, 2002/72/EEC, 2004/108 CE, REG 1935/2004/EEC, 2002/95/CE (RoHS) and to the following regulations EN1974, EN ISO12100-1, EN ISO12100-2, EN 294, EN60204-1, EN60335-1, EN60335-2-64.

Safety and Warranty

GENERAL SAFETY REGULATIONS

The slicers must be used only by suitably trained personnel. Furthermore, this personnel must have read this manual carefully. In particular, please comply to the following instructions:

- Install the machine according to the instructions contained in the “installation” section.
- Do not modify nor exclude the mechanical and electrical safety devices.
- Do not use the machine with improvised connections, or provisional or non insulated cables.
- Check the power cable and gland plate on the machine body regularly and when necessary have them replaced by qualified personnel.
- In case of anomalies, defective operation, incorrect movement, unusual noise, etc stop the machine immediately.
- Before cleaning or servicing, disconnect the machine from the mains.
- Always use scratch-proof and non-slip gloves during cleaning or maintenance.
- Lay or remove the goods to be sliced on the sliding plate only when the latter is completely pushed back and the thickness control knob positioned to 0.
- To move the carriage tray when slicing, use the handle or the product grip handle.
- For extraordinary maintenance (to replace the sharpener wheels, the blade, or others) please contact the manufacturer or qualified and duly authorized personnel.
- Avoid running the slicers with no product on it.
- The slicers are equipped with a ventilated motor. Extended continual use is not recommended. Let the motor cool down after 30 minutes of use.

MANUFACTURER’S WARRANTY AND LIABILITY

The manufacturer’s warranty covering the good functioning of the machines and their compliance to the service for which they have been designed depends on the correct application of the instructions contained in this manual. The Manufacturer assumes no liability either direct or indirect deriving from:

- Failure to comply with the instructions contained in this manual.
- Use of the machine by personnel who has not read or fully understood the content of this manual.
- Use not complying to the specific norms currently applicable in the country of installation.
- Unauthorized modifications and/or repairs.
- Use of non original accessories or spare parts.
- Exceptional events.

ENVIRONMENTAL CONDITIONS OF USE

Temperature: from -5°C and 40°C / 23°F and 104°F.
Relative humidity: max 95%.

OPENING THE BOX

On reception check packaging integrity, otherwise inform the forwarding agent or the area agent immediately. To unpack the machine, proceed as follows:

- Open the box and remove your copy of the manual of use and maintenance, then proceed according to the

Safety and Warranty

instructions found on that manual.

- Lift the machine still wrapped in a transparent polyethylene sheet and extract it from the box.
- Now check the box content and make sure it corresponds to what shown on the external label.

RESIDENTIAL USERS: vendor assumes no liability for parts or labor coverage for component failure or other damages resulting from installation in non-commercial or residential applications. The right is reserved to deny shipment for residential usage; if this occurs, you will be notified as soon as possible.

1 YEAR PARTS AND LABOUR BENCH WARRANTY

Within the warranty period, contact Omcan Inc. at 1-800-465-0234 to schedule a drop off to either an Omcan authorized service depot in the area, or to an Omcan Service warehouse to repair the equipment.

Unauthorized maintenance will void the warranty. Warranty covers electrical and part failures, not improper use.

Please see <https://omcan.com/disclaimer> for complete info.

WARNING:

The packaging components (cardboard, polyethylene, and others) are classified as normal solid urban waste and can therefore be disposed of without difficulty.

In any case, for suitable recycling, we suggest disposing of the products separately (differentiated waste) according to the current norms.

DO NOT DISCARD ANY PACKAGING MATERIALS IN THE ENVIRONMENT!

Technical Specifications

The machine is essentially made of a base supporting a circular blade mounted in a tilted position. This blade is driven by an electrical motor to slice foodstuffs. The machine is equipped with a carriage holding a product tray and sliding on a bar mounted under the base top, parallel to the blade. Slice thickness is adjusted by means of a gauge plate mounted in front of the blade. This plate, against which rests the product to be sliced is moved transversely with respect to the blade by a value corresponding to the desired slice thickness. The product is fed to the machine (towards the gauge plate) by gravity. All the machine components are made of polished and anodically oxidized aluminium alloy, of stainless steel and food grade plastic material. The blade is driven by an electrical motor, transmission is by means of a longitudinally grooved belt. The machine is started and stopped by a control button or switch provided with auxiliary circuit preventing accidental restarts after an outage. Some of the machine models have a user-friendly and safe built-in blade sharpener.

Technical Specifications

MECHANICAL AND ELECTRICAL SAFETY DEVICES

The following mechanical safety devices were installed:

- A series of aluminium and transparent plastic guards on the product carriage.

On request the following are available:

- Safety micro-switch preventing the motor from starting when the blade guard is removed.

WARNING: RESIDUAL RISKS

Notwithstanding all the possible cautions taken during the design and the construction of the machine, residual risks (cutting) still exist during use or during cleaning or maintenance. Therefore be careful and **PAY THE UTMOST ATTENTION** to what you are doing. **DO NOT** use the machine if you are not in perfect psychological and physical conditions. **DO NOT ALLOW** anyone near the machine when it is in use. **ALWAYS** wear gloves that can resist cuts or tears when cleaning, lubricating or sharpening the blade. Slice only the products mentioned as sliceable. **NEVER** try to slice products that have been mentioned as non sliceable.

ACCESSORIES

If not otherwise defined at the moment of order, the machines are supplied together with the following:

- EU conformity declaration.
- Instructions manual for installation, use and maintenance.

PRODUCTS THAT CAN BE SLICED

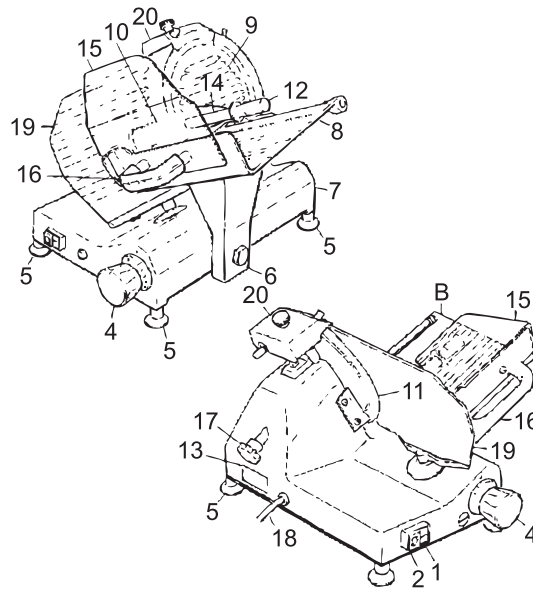
- All types of cold cuts (raw, cooked, smoked).
- Meat without bone (raw or cooked, at a temperature not less than + 3 °C).
- Vegetables (all types).

PRODUCTS THAT MUST NOT BE SLICED:

- Frozen or deep-frozen food.
- Food containing bones (meat or fish).
- Any other non-food product.
- Cheese.

Technical Specifications

MAIN COMPONENTS



1. Startup button (white or green).	2. Stop button (black or red).	3. N.A.	4. Slice thickness control knob.
5. Adjustable foot.	6. Carriage tray support.	7. Base.	8. Product tray.
9. Blade plate.	10. Product grip.	11. Blade.	12. Product grip handle.
13. Manufacturer identification plate, machine data and UE marks.	14. Pusher plate extension.	15. Product tray hand protection.	16. Product tray handle.
17. Blade plate tie-rod.	18. Supply cord.	19. Gauge plate.	20. Sharpener.

Illustrations may differ from actual machines.

Installation

INSTALLING THE MACHINE

Position the machine on a well leveled, smooth and dry top suitably dimensioned to withstand the machine weight.

ELECTRICAL CONNECTION

Install the machine near a compliant outlet derived from a system meeting the local norms.

Installation

The user is responsible for ascertaining that the electrical system is suitably dimensioned and functions correctly (supply line, outlet, distribution panel, differential protecting breaker, grounding).

Before carrying out the connection ascertain that the mains characteristics correspondent to those indicated on the machine plate.

COMMANDS

START AND STOP BUTTONS / SWITCHES

- Turn switch or press the white or green button (1) to start running the blade.
- The light turns on to indicate that the machine works correctly.
- Turn switch or press the red or black button to stop the blade.

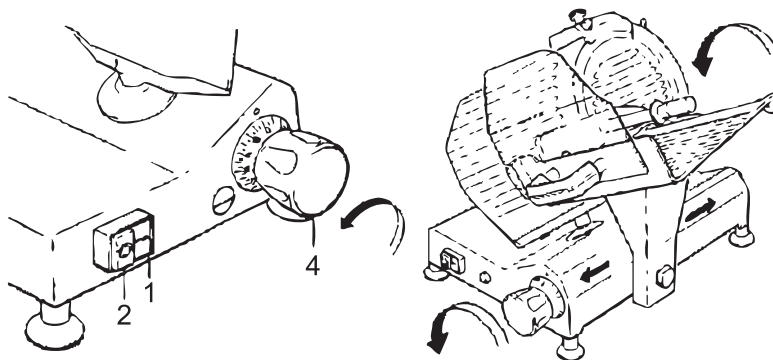
Slice thickness can be adjusted by turning the graduated knob (4) counterclockwise.

Thickness adjustment range: see paragraph “technical description and conditions of use”.

FUNCTIONING TEST AND BLADE ROTATION DIRECTION

Start the machine and check whether the light is on; make sure that the blade rotates in the direction indicated by the arrow (counterclockwise if you look at the machine from the blade plate side).

- Ascertain that the carriage and the product grip slide correctly.
- Ascertain that the gauge plate works and adjust thickness to desired value.

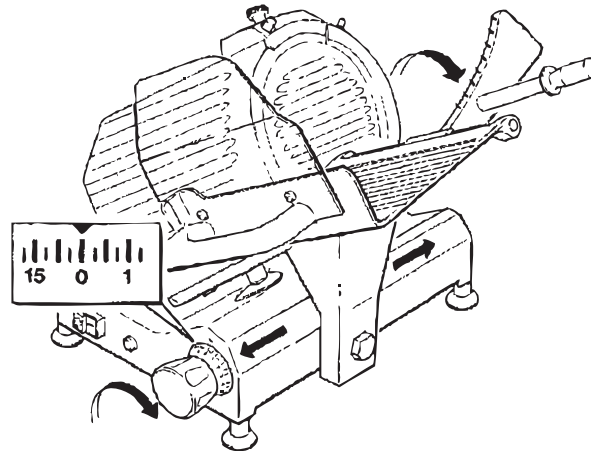


Operation

USING THE MACHINE

LOADING THE PRODUCT ON THE TRAY AND SLICING

- Ascertain that the thickness control knob is correctly positioned to '0'.
- Draw back the carriage completely (towards the operator) to loading position.
- Lift the product grip by pulling it away by 10 cm from the blade and put it in rest position.
- Lay the product to be sliced against the guide plate on the operator side.
- Secure by means of the product grip by exerting a slight pressure.
- Adjust the thickness gauge. Start the blade by turning the switch or by pressing on the white or green button.
- Grip the handle affixed onto the plate and start the forward and backward cutting movement. The product travels towards the guide plate by gravity.
- When the product weight or its dimensions do not provide a satisfactory cut by effect of the gravity, use the product grip handle.
- When finished, return the thickness control knob to '0' and draw the carriage back.
- Stop the blade by pressing the black or red button.



Maintenance

CLEANING THE SLICER

GENERAL

The machine must always be accurately cleaned **at least once a day**, and more often if necessary. **Always use protective gloves.**

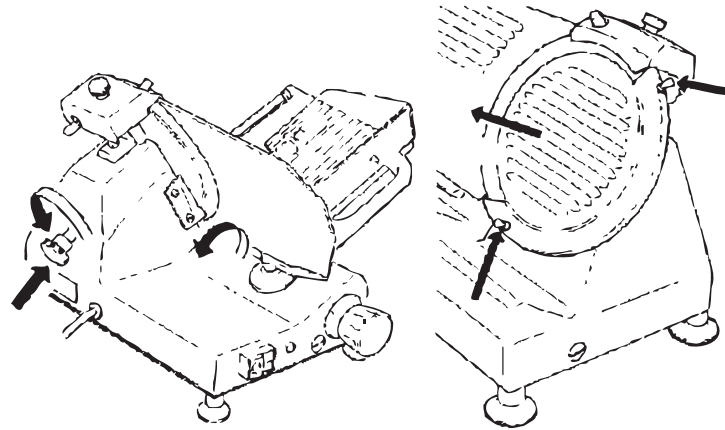
DISASSEMBLING THE MACHINE FOR CLEANING

- Disconnect the plug from the mains.
- Turn the gauge plate knob to '0'.
- Remove the various components as described in the following paragraphs.
- Unscrew (counterclockwise) the blade guard tie-rod.
- If the blade guard is blocked, press on the rod knob to move it a little.
- Extract the rod and remove the blade guard using for this operation only the side knobs.
- Loosen and remove the two fixing screws with knurled head.
- Remove the slice guard.

To clean the machine body and the blade use only a cloth damped with water and biodegradable lathery detergent having 7-8 pH and at a temperature not below 30°C/86°F. Do not clean the machine by using water or vapor sprays or similar systems.

WARNING:

Use scratch-proof and non-slip gloves to carry out the following operations. Proceed carefully and pay attention to what you are doing. **DANGER OF CUTTING!**



REASSEMBLING THE MACHINE

Proceed as indicated for the previous operations but in reverse order.

GENERAL MAINTENANCE

The operator is allowed to perform the following maintenance operations:

- **Blade sharpening:** regularly (intervals and duration obviously depend on the use of the machine, time of use and type of product sliced).
- **Lubrication of carriage sliding guides:** once a week.
- **Lubrication of product grip sliding bar:** once a week.
- **Adjustment of motor belt tension:** as required.
- **Checking the power supply cord conditions and of the gland plate:** from time to time.

Maintenance

WARNING

Maintenance must always be carried out when the **machine is disconnected from the mains** and if no other position is specifically required, with the thickness control knob on '0'.

The following maintenance operations are to be entrusted only to **personnel authorized by the manufacturer**:

- Replacing the blade.
- Replacing the sharpener stones.
- Replacing the motor transmission belt.
- Replacing electrical system components under the machine base.
- Repairing structural parts, repairing the components under the base.

BLADE SHARPENING

Before proceeding, clean the machine accurately as explained in the previous paragraphs.

WARNING

Sharpening can be done only up to 12 mm of the blade diameter value. **Beyond this value, the BLADE MUST BE REPLACED ONLY by personnel AUTHORIZED BY THE MANUFACTURER.**

SHARPENING VERSIONS WITH BUILT-IN SHARPENER

To sharpen the blade periodically as soon as the cutting capacity decreases. Please proceed as per the following instructions:

1. After disconnecting from the mains, clean the blade accurately using denaturized alcohol to degrease it.
2. Loosen the knob and turn the sharpener by 180° and insert the wheels on the slicer blade. Relock the knob.
3. Operate the switch and press the button.
4. Allow the blade to rotate for about 30 to 40 seconds then use the switch to stop it. Brush a pencil lightly on the external side of the blade to check for a slight spud.

We advise performing this operation with the utmost care as the blade is extremely sharp.

5. If some spud is found, operate the switch again for 3 to 4 seconds by pressing the buttons 4 and 5 at the same time.

DO NOT PROLONG THIS OPERATION BEYOND THE FEW SECONDS MENTIONED OTHERWISE THE BLADE EDGE WILL WARP.

6. After completing sharpening, we advise cleaning the wheels using a small brush and alcohol.
7. Now return the sharpener to its original position.

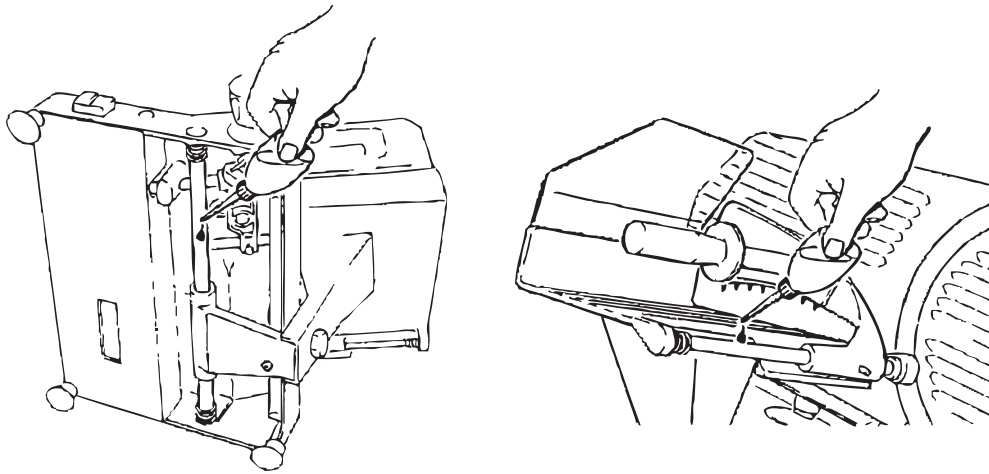
LUBRICATION

Carriage sliding guides product grip (once a week)

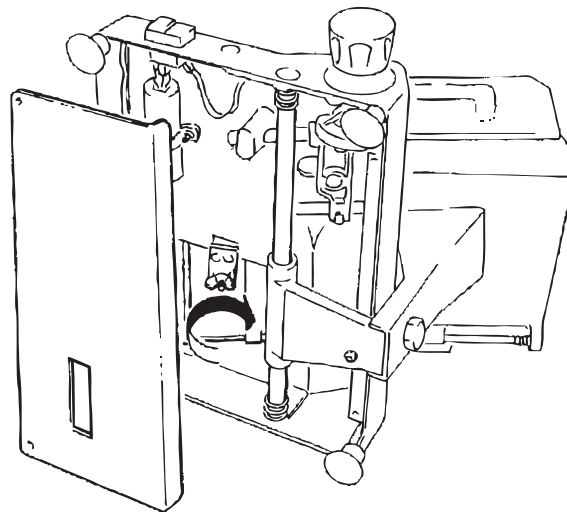
Use only food grade mineral oil, or use white Vaseline oil. **DO NOT USE VEGETABLE OILS.**

- Spread a small quantity of oil on the bar and move the assembly 3 or 4 times. Clean as required to remove excess of oil.

ADJUSTING THE MOTOR BELT TENSION



After a given period of service an unusual noise may occur because of the belt bedding. In this case, tighten the belt-stretcher on the side of the motor under the machine base.



Troubleshooting

The table below indicates the most common problems that may arise during slicing and the necessary remedies.

PROBLEM	POSSIBLE CAUSE	REMEDY
The machine does not start when the white or green button is pressed.	No power supply.	Ascertain that the plug is correctly inserted.
	The blade guard is not correctly positioned.	Check.
	Defective electrical control circuit.	Call technical assistance.
When the switch is turned or when the white or green button is pressed, the machine starts, but the white functioning light is not on.	Defective indicator.	Do not use the machine when the pilot lamp is not on; call technical assistance.
The machine starts, but there are vibrations. The motor is very hot and there is a bad smell.	Defective motor or transmission.	Do not use the machine, call technical assistance.
Under strain, the machine slows down or comes to a stop.	Defective transmission.	Call technical assistance.
Excessive resistance to product slicing.	The blade is blunt.	Sharpen the blade.
The slices are ragged and/or shaped irregularly.	The blade is blunt.	Sharpen the blade.
	The blade is excessively worn out.	Call technical assistance.
Unsatisfactory blade sharpening.	Worn wheels.	Replace the wheels; call technical assistance.
The product tray does not slide.	Guides are insufficiently lubricated.	Lubricate.
When the switch is turned or when the black or red button is pressed, the machine does not stop.	Defective electrical control circuit.	Stop the machine, unplug from mains and call technical assistance.

DISMANTLING THE SLICER

These machines are made of the following elements:

- Aluminium frame.
- Stainless steel fittings and others.
- Electrical parts and cords.
- Electrical motor.
- Plastic materials, etc.

Whether dismantling is entrusted to third parties or done in-house (in that last case you will have to separate the various materials) please note that disposal of the materials can only be carried out by duly authorized businesses. In any case, please comply to the current norms of your country.

Troubleshooting

WARNING

In any case, to remove the blade and dispose of it, you must contact the manufacturer or personnel duly authorized by the manufacturer. NEVER DISPOSE OF WASTE IN AREAS WHERE ACCESS IS NOT DELIMITED BY BARRIERS AND FORBIDDEN BY WARNING SIGNS AS THIS WASTE REPRESENTS A SERIOUS DANGER, ESPECIALLY FOR CHILDREN AND ANIMALS. ANY RESPONSIBILITY ARISING OUT OF INCORRECT DISPOSAL FALLS ON THE OWNER.

Instructions Français

SÉCURITÉ ET GARANTIE

LIMITES D'UTILISATION - NORMES DE SÉCURITÉ

Les machines ont été conçu et construit pour trancher des produits alimentaires en conformité aux normes de la CE 2006/95 / CEE, 93/68 / CEE, 2006/42 / CEE, 2002/72 / CEE, 2004/108 CE, REG 1935/2004 / CEE, 2002/95 / CE (RoHS) et les règlements suivants EN1974, EN ISO12100-1, EN ISO12100-2, EN 294, EN 60204-1, EN60335-1, EN60335-2-64.

RÈGLES DE SÉCURITÉ

Les trancheuses doivent être utilisés que par un personnel qualifié. En outre, ce personnel doit avoir lu attentivement ce manuel. En particulier, s'il vous plaît respecter les instructions suivantes:

- Installez la machine selon les instructions contenues dans la section «Installation».
- Ne pas modifier ni exclure les dispositifs de sécurité mécaniques et électriques.
- Ne pas utiliser la machine avec des connexions électriques, câbles provisoires ou non isolés.
- Vérifiez le câble d'alimentation et la plaque de la glande sur le corps de la machine régulièrement et si nécessaire de les remplacer par du personnel qualifié.
- En cas d'anomalies, d'un fonctionnement défectueux, mouvement incorrecte, un bruit inhabituel, etc arrêter immédiatement la machine.
- Avant le nettoyage ou d'entretien, débranchez l'appareil du secteur.
- Toujours utiliser des gants anti-rayures et anti-dérapantes lors du nettoyage ou de la maintenance.
- Laïques ou supprimer les produits à trancher sur la plaque coulissante seulement lorsque celui-ci est complètement repoussé et le bouton de contrôle de l'épaisseur positionné à 0.
- Pour déplacer le plateau du chariot lors du tranchage, utilisez la poignée ou la poignée de préhension du produit.
- Pour l'entretien extraordinaire (remplacement des meules d'affûtage, la lame, ou autres) s'il vous plaît contacter le fabricant ou du personnel qualifié et dûment autorisés.
- Évitez de faire fonctionner les trancheuses sans produit sur elle.
- Les trancheuses sont équipées d'un moteur ventilé. Utilisation continue prolongée est déconseillée. Laissez refroidir le moteur après 30 minutes d'utilisation.

Instructions Français

GARANTIE ET RESPONSABILITÉ DU FABRICANT

La garantie du fabricant couvrant le bon fonctionnement des machines et de leur conformité au service pour lequel ils ont été conçus dépend de l'application correcte des instructions contenues dans ce manuel. Le fabricant décline toute responsabilité directe ou indirecte découlant de:

- Défaut de se conformer aux instructions contenues dans ce manuel.
- L'utilisation de la machine par du personnel qui n'a pas lu ou bien compris le contenu de ce manuel.
- Utilisez ne se conformant pas aux normes spécifiques en vigueur dans le pays d'installation.
- Modifications et / ou réparations non autorisées.
- L'utilisation d'accessoires non d'origine ou des pièces de rechange.
- Événements exceptionnels.

CONDITIONS D'UTILISATION DE L'ENVIRONNEMENT

Température: de -5 ° C et 40 ° C / 23 ° F et 104 ° F.

Humidité relative: 95% max.

OUVERTURE DE LA BOÎTE

A la réception contrôle d'intégrité de l'emballage, sinon informer le commissionnaire de transport ou de l'agent de zone immédiatement. Pour déballer la machine, procéder comme suit:

- Ouvrez la boîte et à retirer votre copie du manuel d'utilisation et d'entretien, puis procéder selon les indications contenues dans le manuel.
- Soulever la machine encore enveloppé dans une feuille de polyéthylène transparent et l'extraire de la boîte.
- Maintenant, vérifiez le contenu de la boîte et assurez-vous qu'il correspond à ce qui figure sur l'étiquette externe.

UTILISATEURS RÉSIDENTIELS: le fournisseur n'assume aucune responsabilité pour la couverture des pièces ou de la main-d'œuvre pour la défaillance des composants ou d'autres dommages résultant de l'installation dans des applications non commerciales ou résidentielles. Le droit est réservé de refuser l'expédition pour un usage résidentiel; si cela se produit, vous en serez informé dans les plus brefs délais.

1 AN PIÈCES ET TRAVAIL BANC GARANTIE

Dans la période de garantie, contacter Omcan Inc. au 1-800-465-0234 pour planifier une déposer soit un dépôt Omcan de service autorisé dans la zone, ou à un entrepôt de service Omcan de réparer l'équipement.

Entretien non autorisée annulera la garantie. La garantie couvre les pannes électriques et de pièces, pas une mauvaise utilisation.

S'il vous plaît voir <https://omcan.com/disclaimer> pour info complète.

Instructions Français

ATTENTION:

Les matériaux d'emballage (carton, de polyéthylène et autres) sont classés comme déchets solides urbains normale et peuvent donc être éliminés sans difficulté.

En tout cas, pour le recyclage approprié, nous suggérons au rebut des produits séparément (différenciée des déchets) selon les normes actuelles.

NE PAS JETER MATÉRIAUX D'EMBALLAGE DANS L'ENVIRONNEMENT!

SPÉCIFICATIONS TECHNIQUES

La machine se compose essentiellement d'une base supportant une lame circulaire montée en position inclinée. Cette lame est entraînée par un moteur électrique pour trancher des produits alimentaires. La machine est équipée d'un chariot tenant un plateau de produits et de coulissement sur une barre montée sous le plateau de base et parallèle à la lame. Tranche épaisseur est ajustée au moyen d'une plaque de réglage montée à l'avant de la lame. Cette plaque, contre laquelle repose le produit à trancher est déplacé transversalement par rapport à la lame d'une valeur correspondant à l'épaisseur de coupe souhaitée. Le produit est introduit dans la machine (vers la plaque de pression manométrique) par gravité. Tous les composants de la machine sont réalisées en alliage d'aluminium poli et anodisé, d'acier inoxydable et une matière plastique de qualité alimentaire. La lame est entraînée par un moteur électrique, la transmission se fait par l'intermédiaire d'une courroie rainurée longitudinalement. La machine est lancée et arrêtée par un bouton de commande ou un interrupteur fourni avec circuit auxiliaire empêchant un redémarrage intempestif après une coupure de courant. Certains des modèles de machines ont un taille-crayon intégré de la lame et sûr conviviale.

DISPOSITIFS SÉCURITÉ ÉLECTRIQUE ET MÉCANIQUE

Les dispositifs de sécurité mécaniques suivants ont été installés:

- Une série de gardes de plastique transparent et aluminium sur le chariot de produit.

Sur demande, l'suivantes sont disponibles:

- Microcontact de sécurité empêchant le moteur de démarrer lorsque le protège-lame est retiré.

AVERTISSEMENT: RISQUES RESIDUELS

Malgré toutes les précautions possibles prises lors de la conception et de la construction de la machine, les risques résiduels (de coupe) existent encore en cours d'utilisation ou pendant le nettoyage ou l'entretien. Par conséquent être prudent et de payer la plus grande attention à ce que vous faites. NE PAS utiliser la machine si vous n'êtes pas dans des conditions psychologiques et physiques parfaits. Ne laissez personne près de la machine quand elle est en cours d'utilisation. TOUJOURS porter des gants qui peuvent résister à des coupures ou des larmes quand le nettoyage, la lubrification ou affûtage de la lame. Trancher uniquement les produits mentionnés comme tranchable. JAMAIS essayer de couper des produits qui ont été mentionnés comme non tranchable.

Instructions Français

ACCESSOIRES

Si pas autrement définis au moment de la commande, les machines sont fournies avec les documents suivants:

- Déclaration de conformité de l'UE.
- Manuel d'instructions pour l'installation, l'utilisation et la maintenance.

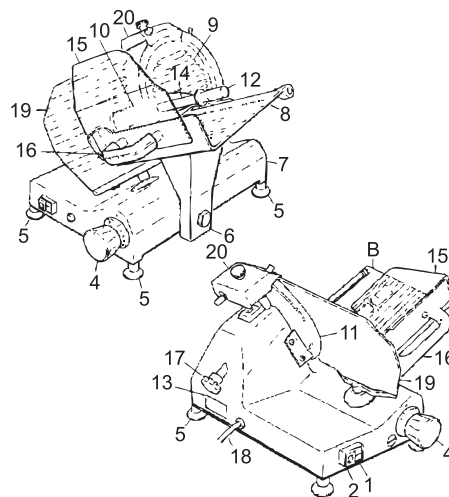
PRODUITS QUI PEUVENT ÊTRE TRANCHÉS

- Tous les types de charcuterie (crus, cuits, fumés).
- La viande sans os (crus ou cuits, à une température non inférieure à + 3 ° C).
- Légumes (tous types).

PRODUITS QUI NE DOIT PAS ÊTRE TRANCHÉS:

- Les aliments congelés ou surgelés.
- Les aliments contenant des os (viande ou poisson).
- Tout produit non alimentaire autre.
- Du fromage.

COMPOSANTS PRINCIPAUX



Instructions Français

1. Bouton de démarrage (blanc ou vert).	2. Bouton d'arrêt (noir ou rouge).	3. N.A.	4. Slice contrôle de l'épaisseur knob.
5. Pied réglable.	6. Soutien chariot plateau.	7. Base.	8. Plateau de produit.
9. Plate lame.	10. Grip produit.	11. Lame.	12. Poignée de produit.
13. Plaque d'identification du fabricant, distributeur données et UE marques.	14. Pusher plaque de rallonge.	15. Produit plateau protection des mains.	16. Poignée du tiroir de produit.
17. Plate lame tie-rod.	18. Cordon d'alimentation.	19. Jauge plate.	20. Taille crayon.

Les illustrations peuvent différer des machines réelles.

INSTALLATION

INSTALLATION DE LA MACHINE

Placez la machine sur un bien nivelé, supérieure lisse et sec convenablement dimensionnée pour supporter le poids de la machine.

CONNEXION ÉLECTRIQUE

Installer la machine près d'une prise compatible dérivé d'un système répondant aux normes locales.

L'utilisateur est responsable pour déterminer que le système électrique est convenablement dimensionné et fonctionne correctement (ligne d'alimentation, de sortie, panneau de distribution, disjoncteur différentiel de protection, mise à la terre).

Avant d'effectuer le branchement vérifier que l'alimentation caractéristiques correspondant à celles indiquées sur la plaque de la machine.

COMMANDES

BOUTONS START ET STOP / COMMUTATEURS

- Tourner le commutateur ou appuyez sur le bouton blanc ou vert (1) pour commencer à courir la lame.
- La lumière allume pour indiquer que la machine fonctionne correctement.
- Tourner le commutateur ou appuyez sur le bouton rouge ou noir pour arrêter la lame.

Slice épaisseur peut être ajustée en tournant le bouton gradué (4) dans le sens antihoraire.

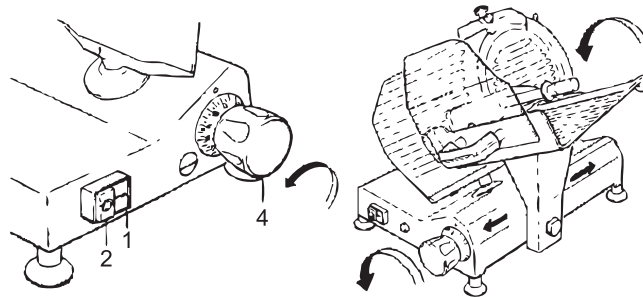
Plage de réglage Épaisseur: voir le paragraphe «description et les conditions d'utilisation technique».

Instructions Français

ESSAI DE FONCTIONNEMENT ET LAME SENS DE ROTATION

Démarrer la machine et vérifier si la lumière est allumée; assurez-vous que la lame tourne dans le sens indiqué par la flèche (dans le sens antihoraire, si vous regardez la machine du côté de la plaque de la lame).

- Vérifier que le transport et la poignée de produits glissent correctement.
- Vérifier que la plaque de calibrage fonctionne et ajuster l'épaisseur à la valeur souhaitée.



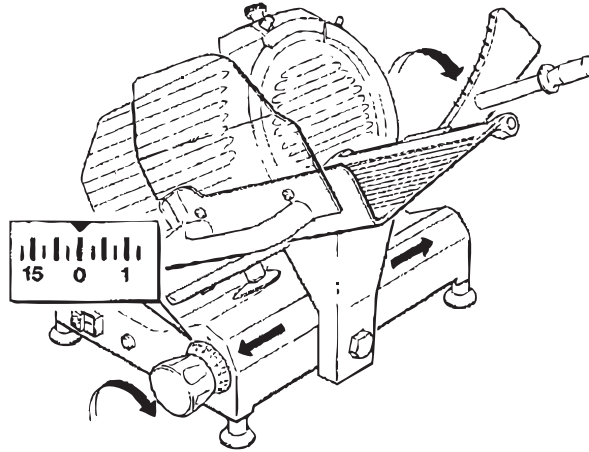
OPÉRATION

UTILISATION DE LA MACHINE

CHARGEMENT DU PRODUIT SUR LE PLATEAU ET SLICING

- Vérifier que le bouton de commande de l'épaisseur est correctement positionné à '0'.
- Reculer le chariot (vers l'opérateur) à la position de chargement.
- Soulevez la poignée du produit en l'écartant de 10 cm à partir de la lame et le mettre en position de repos.
- Poser le produit à trancher sur la plaque de guidage sur le côté de l'opérateur.
- Fixer au moyen de la prise du produit en exerçant une légère pression.
- Ajuster la jauge d'épaisseur. Lancer la lame en tournant le bouton ou en appuyant sur le bouton blanc ou vert.
- Saisir la poignée fixée sur la plaque et commencer le mouvement de coupe vers l'avant et vers l'arrière. Le produit se déplace vers la plaque de guidage par gravité.
- Lorsque le poids du produit ou de ses dimensions ne fournissent pas une coupe satisfaisante par l'effet de la gravité, utilisez la poignée de préhension du produit.
- Lorsque vous avez terminé, ramener le bouton de contrôle de l'épaisseur à '0' et reculer le chariot.
- Arrêter la lame en appuyant sur le bouton noir ou rouge.

Instructions Français



ENTRETIEN

NETTOYAGE DE LA COUPE

GÉNÉRAL

La machine doit être soigneusement effectuée au moins une fois par jour, et plus souvent si nécessaire. Toujours utiliser des gants de protection.

DÉMONTAGE DE LA MACHINE DE NETTOYAGE

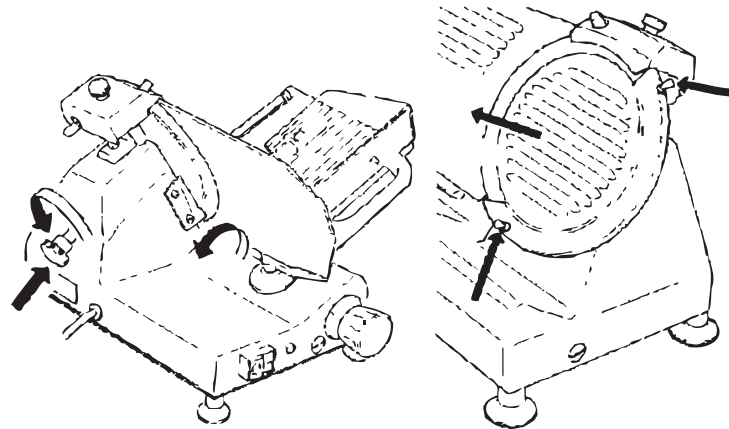
- Débrancher la fiche du secteur.
- Tourner la plaque de jauge savent à '0'.
- Retirez les différents composants tels que décrits dans les paragraphes suivants.
- Dévissez (dans le sens antihoraire) le protège-lame tirant.
- Si le protège-lame est bloquée, appuyez sur le bouton de la tige de se déplacer un peu.
- Extraire la tige et retirer la garde de lame à l'aide pour cette opération que les boutons latéraux.
- Desserrer et retirer les deux vis de fixation à tête moletée.
- Retirer la protection de la tranche.

Pour nettoyer le corps de la machine et de l'utilisation de la lame uniquement un chiffon imbibé d'eau et de détergent biodégradable ayant lathery 7-8 pH et à une température pas inférieure à 30 ° C / 86 ° F. Ne pas nettoyer la machine à l'aide de jets d'eau ou de vapeur ou de systèmes similaires.

ATTENTION:

Utilisez anti-rayures et des gants antidérapants pour effectuer les opérations suivantes. Procédez avec précaution et faire attention à ce que vous faites. **DANGER DE COUPE!**

Instructions Français



REMONTÉ LA MACHINE

Procédez comme indiqué pour les opérations précédentes, mais dans l'ordre inverse.

ENTRETIEN GÉNÉRAL

L'opérateur est autorisé à effectuer les opérations de maintenance suivantes:

- **Affûtage de lame:** régulièrement (intervalles et la durée dépend évidemment de l'utilisation de la machine, le temps d'utilisation et le type de produit en tranches).
- **Lubrification des guides de chariot:** une fois par semaine.
- **Lubrification d'adhérence du produit barre coulissante:** une fois par semaine.
- **Réglage de tension de la courroie moteur:** lorsque nécessaire.
- **Vérification des conditions de la moelle de l'alimentation et de la plaque glande:** de temps en temps.

ATTENTION

L'entretien doit toujours être effectué lorsque la machine est déconnectée du réseau et si aucun autre poste est spécifiquement requise, avec le bouton de contrôle de l'épaisseur sur '0'.

Les opérations de maintenance suivantes doivent être confiés qu'à du personnel autorisé par le fabricant:

- Remplacement de la lame.
- Remplacement des pierres de taille-crayon.
- Remplacement de la courroie de transmission de moteur.
- Remplacement de composants du système électrique sous la base de la machine.
- Réparation des pièces de structure, la réparation des composants sous la base.

AFFÛTAGE

Avant de continuer, nettoyer la machine avec précision, comme expliqué dans les paragraphes précédents.

Instructions Français

ATTENTION

Affûtage peut se faire que jusqu'à 12 mm de la valeur du diamètre de la lame. **Au-delà de cette valeur, la lame doit être remplacé que par du personnel autorisé PAR LE FABRICANT.**

AFFÛTAGE VERSIONS AVEC TAILLE-CRAYON INTÉGRÉ

Pour aiguiser la lame régulièrement dès que la capacité de coupe diminue. S'il vous plaît procéder selon les instructions suivantes:

1. Après avoir débranché former le réseau, nettoyer la lame en utilisant de l'alcool dénaturé pour la dégraisser.
2. Desserrez le bouton et tournez l'affûteur de 180 ° et insérer les roues sur la lame de trancheuse. Reverrouiller le bouton.
3. Actionner l'interrupteur et appuyez sur le bouton.
4. Laisser tourner la lame pendant environ 30 à 40 secondes puis utilisez l'interrupteur pour l'arrêter. Badigeonner légèrement un crayon sur le côté externe de la lame pour vérifier si une légère bavure.

Nous vous recommandons d'effectuer cette opération avec le plus grand soin que la lame est extrêmement forte.

5. Si certains de la bavure, actionner l'interrupteur à nouveau pendant 3 à 4 secondes en appuyant sur les boutons 4 et 5 dans le même temps.

NE PROLONGEZ PAS CETTE OPERATION AU-DELÀ DES QUELQUES SECONDES MENTION CONTRAIRE LE BORD DE LAME SE DÉFORMERA.

6. Après avoir effectué l'affûtage, nous vous conseillons de nettoyer les roues à l'aide d'une petite brosse et de l'alcool.
7. Maintenant, retournez l'affûteur à sa position initiale.

LUBRIFICATION

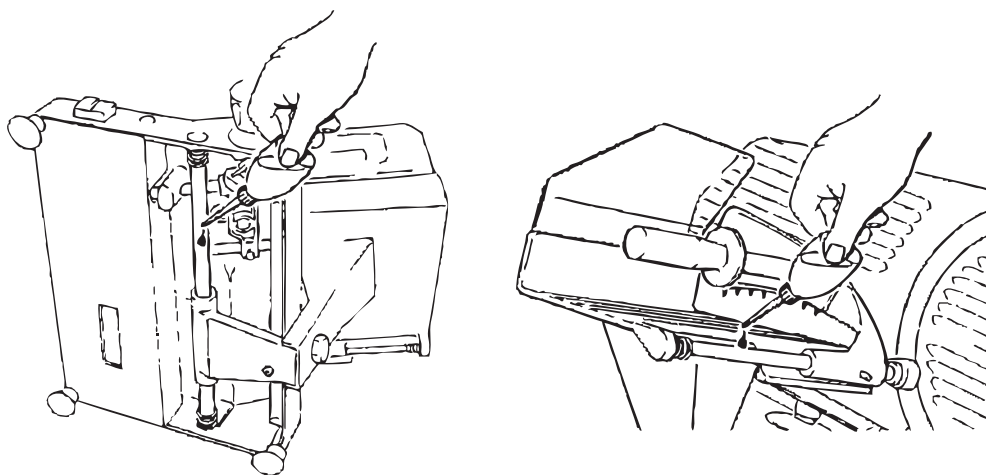
Carriage glissières produit poignée (une fois par semaine)

*Utilisez uniquement de l'huile minérale de qualité alimentaire, ou utiliser de l'huile blanche de vaseline. **NE PAS utiliser des huiles végétales.***

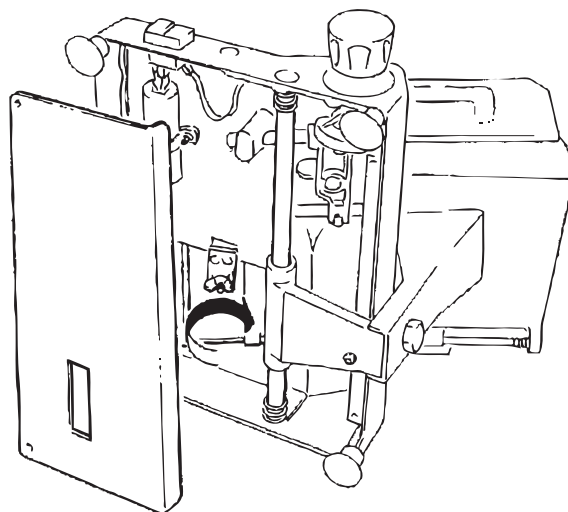
- Étendre une petite quantité d'huile sur la barre et déplacer l'ensemble 3 ou 4 fois. Nettoyer si nécessaire pour enlever l'excès d'huile.

Instructions Français

AJUSTEMENT DE LA TENSION MOTEUR COURROIE



Après une période de service donné un bruit inhabituel peut se produire en raison de la literie de ceinture. Dans ce cas, serrer la ceinture-brancard sur le côté du moteur sous la base de la machine.



DÉPANNAGE

Le tableau ci-dessous indique les problèmes les plus courants qui peuvent survenir au cours de tranchage et les mesures correctives nécessaires.

Instructions Français

PROBLÈME	CAUSE POSSIBLE	REMÉDIER
La machine ne démarre pas lorsque le bouton blanc ou vert est enfoncé.	Pas d'alimentation.	Vérifier que la prise est correctement insérée.
	La garde de lame est pas correctement positionné.	Chèque.
	Circuit de commande électrique défectueux.	Appelez l'assistance technique.
Lorsque le commutateur est activé ou lorsque le bouton blanc ou vert est enfoncé, la machine démarre, mais la lumière de fonctionnement blanc est pas.	Indicateur défectueux.	Ne pas utiliser la machine lorsque la lampe pilote est pas; appelez l'assistance technique.
La machine démarre, mais il ya des vibrations. Le moteur est très chaud et il ya une mauvaise odeur.	Transmission ou moteur défectueux.	Ne pas utiliser la machine, appeler l'assistance technique.
Sous tension, la machine ralentit ou est à l'arrêt.	Transmission défectueuse.	Appelez l'assistance technique.
Une résistance excessive au produit tranchage.	La lame est émoussée.	Aiguiser la lame.
Les tranches sont en lambeaux et / ou de forme irrégulière.	La lame est émoussée.	Aiguiser la lame.
	La lame est trop usé.	Appelez l'assistance technique.
Insatisfaisant affûtage de la lame.	Roues usées.	Remplacer les roues; appeler l'assistance technique.
Le plateau du produit ne glisse pas.	Guides sont insuffisamment lubrifiés.	Lubrifier.
Lorsque le commutateur est activé ou lorsque le bouton noir ou rouge est enfoncé, la machine ne cesse pas.	Circuit de commande électrique défectueux.	Arrêtez la machine, débranchez le cordon secteur et appeler l'assistance technique.

DEMANTELEMENT DE LA TRANCHEUSE

Ces appareils sont les éléments suivants:

- Armature en aluminium.
- Acier Les raccords en acier et autres.
- Pièces et cordons électriques.
- Moteur électrique.
- Les matières plastiques, etc.

Que démantèlement est confiée à des tiers ou fait en interne (dans ce dernier cas, vous aurez à séparer les différents matériaux) s'il vous plaît noter que l'élimination des matériaux ne peut être effectuée par des entreprises dûment autorisées. En tout cas, s'il vous plaît conformer aux normes en vigueur dans votre pays.

Instructions Français

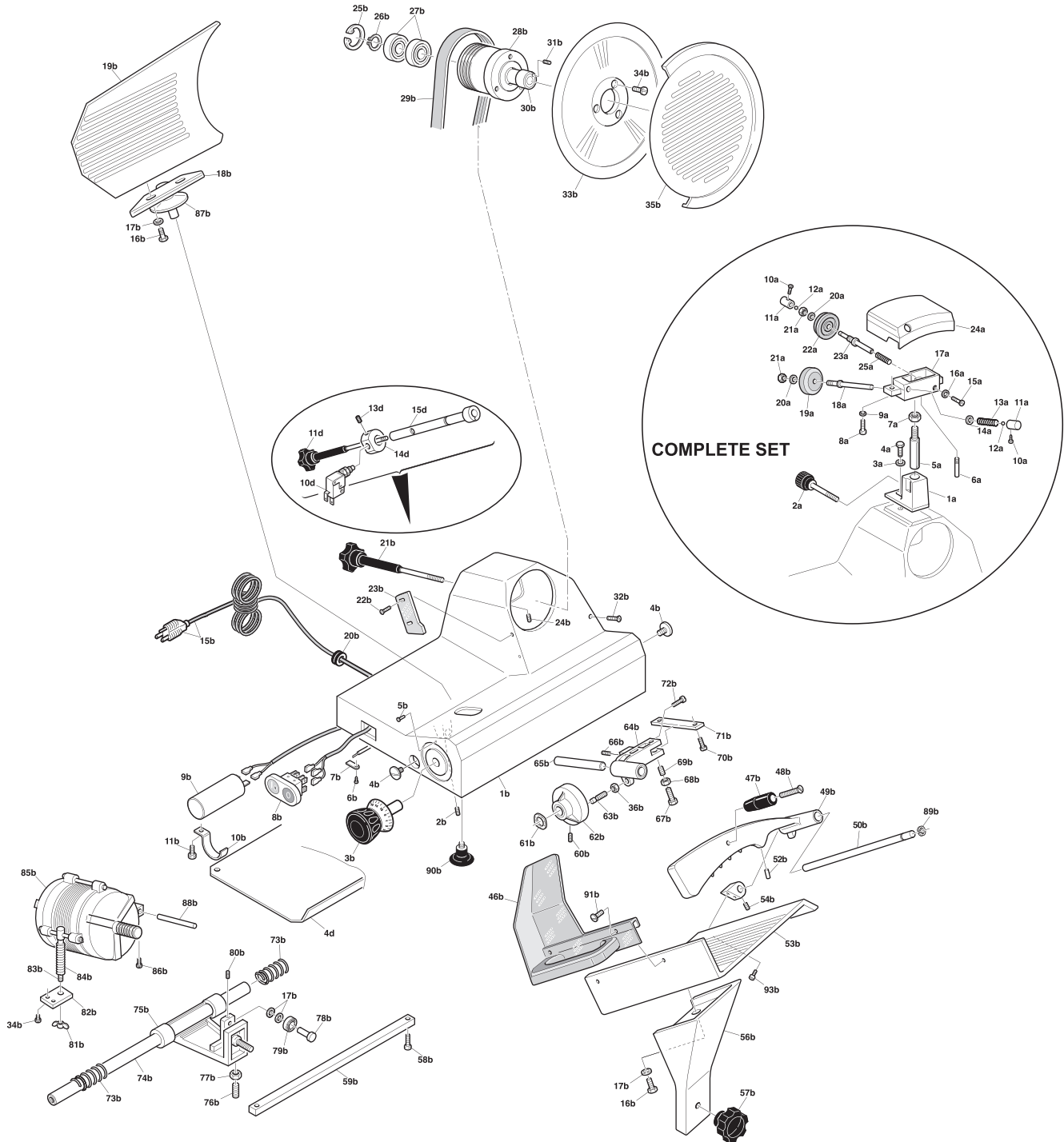
ATTENTION

En tout cas, pour enlever la lame et en disposer, vous devez contacter le fabricant ou le personnel dûment autorisés par le fabricant. Ne jetez jamais les déchets dans les zones où l'accès est PAS délimitée par les barrières et interdits par des panneaux d'avertissement ces déchets représente un grave danger, NOTAMMENT POUR ENFANTS ET DES ANIMAUX. AUCUNE RESPONSABILITÉ DÉCOULANT HORS DE élimination incorrecte tombe sur LE PROPRIÉTAIRE.

Parts Breakdown

Model MS-IT-0220-B 13610

Model MS-IT-0220-U 13616



Parts Breakdown

Model MS-IT-0220-B 13610

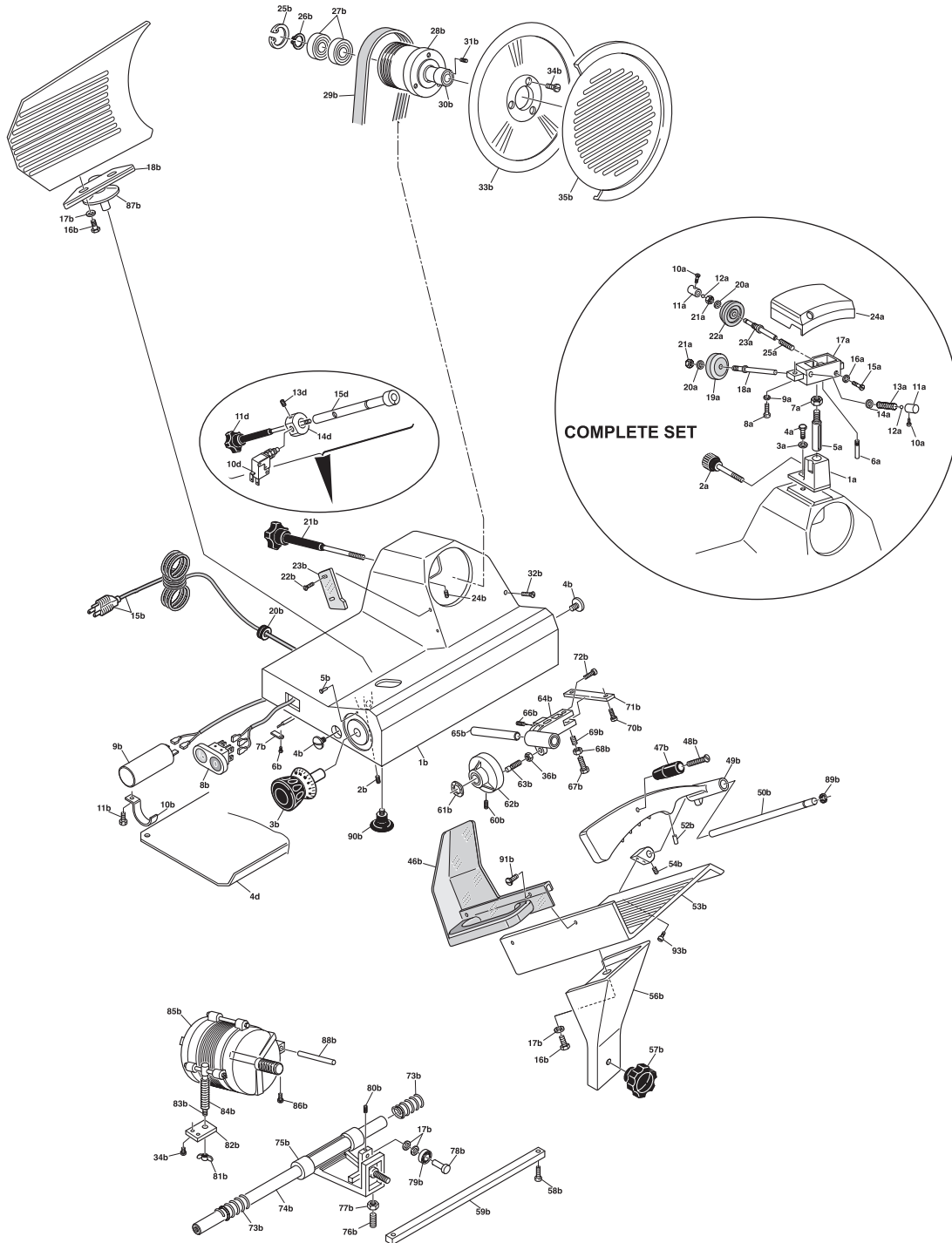
Model MS-IT-0220-U 13616

Item No.	Description	Position	Item No.	Description	Position	Item No.	Description	Position
33922	Sharpener Base for 13610, 13616	A1	14951	Washer for 13610, 13616	B17	AJ177	Small Group Pin for 13610, 13616	B65
33923	Thumb Screw for Sharpener for 13610, 13616	A2	14953	Support for 13610, 13616	B18	14993	Screw TC for 13610, 13616	B66
33924	Washer for 13610, 13616	A3	AJ166	Sail for 13610, 13616	B19	14994	Screw TC for 13610, 13616	B67
33925	Screw for 13610, 13616	A4	14955	Strain Relief for 13610, 13616	B20	14995	Nut for 13610, 13616	B68
33926	Sharpener Shaft for 13610, 13616	A5	14956	Tie Rod for 13610, 13616	B21	AJ178	Grain Head Hunting for 13610, 13616	B69
33927	Screw for 13610, 13616	A6	AJ167	Self-Tapping Screw for 13610, 13616	B22	14997	Screw for 13610, 13616	B70
33928	Nut for 13610, 13616	A7	14957	Slice Deflector for 13610, 13616	B23	AJ179	Group Plate for 13610, 13616	B71
33929	Screw for 13610, 13616	A8	14958	Screw for 13610, 13616	B24	14999	Screw TC for 13610, 13616	B72
33930	Washer for 13610, 13616	A9	14959	Circlip for 13610, 13616	B25	15000	Slide Bar Spring for 13610, 13616	B73
33931	Screw for 13610, 13616	A10	14960	Circlip for 13610, 13616	B26	AJ180	Round Bar for 13610, 13616	B74
33932	Push Knob for Sharpener for 13610, 13616	A11	33911	Pulley Bearing for 13610, 13616	B27	15137	Carriage for 13610, 13616	B75
33933	Ball Bearing for 13610, 13616	A12	63300	Pulley for 13610, 13616	B28	15003	Carriage Screw for 13610, 13616	B76
33934	Spring for 13610, 13616	A13	63303	Belt for 13610, 13616	B29	15004	Carriage Nut for 13610, 13616	B77
33935	Washer for 13610, 13616	A14	AJ247	Spindle Pin for 13610, 13616	B30	15005	Pin for 13610, 13616	B78
33936	Screw for 13610, 13616	A15	14964	Screw for 13610, 13616	B31	AJ181	Bearing for 13610, 13616	B79
33937	Washer for 13610, 13616	A16	14965	Screw TC for 13610, 13616	B32	15007	Screw for 13610, 13616	B80
33984	Sharpener Housing for 13610, 13616	A17	13585	Blade 40-3-180 for 13610, 13616	B33	15008	Wing Nut for 13610, 13616	B81
33939	Grinding Shaft for 13610, 13616	A18	14966	Screw for 13610, 13616	B34	15009	Plate for 13610, 13616	B82
33914	G Stone 40x08x06 for 13610, 13616	A19	63321	Blade Cover for 13610, 13616	B35	15010	Motor Adjustment Bar for 13610, 13616	B83
33941	Washer for 13610, 13616	A20	AJ169	Nut for 13610, 13616	B36	15011	Spring for Adjustment Bar for 13610, 13616	B84
33942	Nut for 13610, 13616	A21	14976	Wrist Guard Plate for 13610, 13616	B46	15012	Motor for 13610, 13616	B85
17212	Omcan F Stone 45x08x06 for 13610, 13616	A22	14893	Meat Grip Knob (Blk) for 13610, 13616	B47	15013	Screw for 13610, 13616	B86
33944	Honing Shaft for 13610, 13616	A23	AJ171	Screw T.P.S.V. for 13610, 13616	B48	AJ182	Vent for 13610, 13616	B87
33945	Sharpener Cover for 13610, 13616	A24	14978	Meat Grip for 13610, 13616	B49	15015	Motor Pin for 13610, 13616	B88
33946	Spring for 13610, 13616	A25	14979	Pin for 13610, 13616	B50	15016	Circlip for 13610, 13616	B89
AJ164	Case for 13610, 13616	B1	14981	Lock for 13610, 13616	B52	14933	Foot for 13610, 13616	B90
14939	Screw for 13610, 13616	B2	14982	Meat Plate for 13610, 13616	B53	AJ183	Flat Guard Screw for 13610, 13616	B91
AJ165	Graduated Knob for 13610, 13616	B3	14983	Screw for 13610, 13616	B54	AJ184	Allen Screw for 13610, 13616	B93
14942	Screw for 13610, 13616	B4	14985	Meat Plate Support for 13610, 13616	B56	15022	Bottom Cover for 13610, 13616	D4
14943	Rivet for 13610, 13616	B5	14903	Carriage Knob for 13610, 13616	B57	18933	Micro Switch for 13610, 13616	D10
14944	Screw for 13610, 13616	B6	AJ172	Screw for 13610, 13616	B58	34094	Tie Rod for 13610, 13616	D11
14945	Plate for 13610, 13616	B7	AJ173	Square Bar for 13610, 13616	B59	33948	Screw for 13610, 13616	D13
64813	On/Off Switch Green/Red for 13610, 13616	B8	AJ174	Bead for 13610, 13616	B60	33949	Safety Switch Holder for 13610, 13616	D14
14946	Capacitor 12.5UF 250V for 13610, 13616	B9	AJ175	Corrugated Washer for 13610, 13616	B61	33950	Pivot Chuck for 13610, 13616	D15
14947	Clamp for 13610, 13616	B10	AJ176	Cam for 13610, 13616	B62	17685	Complete Meat Tray Assy. for 13610, 13616	
14948	Screw TC for 13610, 13616	B11	14992	Cam Screw for 13610, 13616	B63	44918	Complete Sharpening Assy. for 13610, 13616	
14950	Screw TE for 13610, 13616	B16	15019	Slide Support for 13610, 13616	B64			

Parts Breakdown

Model MS-IT-0250-B 13618

Model MS-IT-0250-U 13620



Parts Breakdown

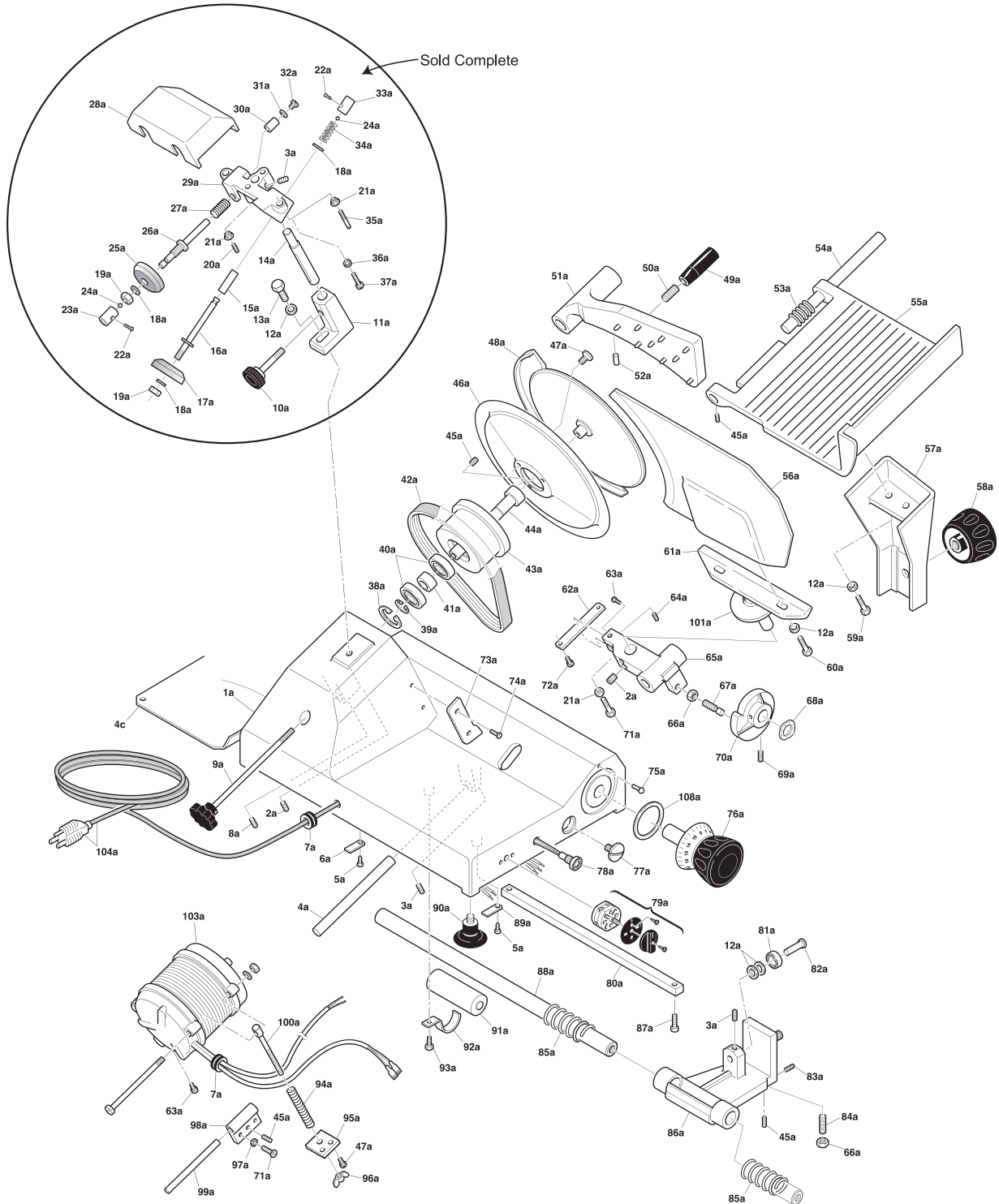
Model MS-IT-0250-B 13618

Model MS-IT-0250-U 13620

Item No.	Description	Position	Item No.	Description	Position	Item No.	Description	Position
AJ185	Pipette for 13618, 13620	A1	15093	Washer for 13618, 13620	B17	15129	Screw TC for 13618, 13620	B67
33969	Thumb Screw for Sharpener for 13618, 13620	A2	AJ189	Sail Support for 13618, 13620	B18	15130	Nut for 13618, 13620	B68
33970	Washer for 13618, 13620	A3	15096	Strain Relief for 13618, 13620	B20	AJ201	Grain Head Hunting for 13618, 13620	B69
33971	Screw for 13618, 13620	A4	15097	Tie Rod for 13618, 13620	B21	15132	Screw for 13618, 13620	B70
33972	Sharpener Shaft for 13618, 13620	A5	15098	Deflector Screw for 13618, 13620	B22	AJ202	Group Plate for 13618, 13620	B71
33973	Screw for 13618, 13620	A6	17687	Slice Deflector for 13618, 13620	B23	15134	Screw TC for 13618, 13620	B72
33974	Nut for 13618, 13620	A7	15099	Screw for 13618, 13620	B24	15135	Slide Bar Spring for 13618, 13620	B73
33975	Screw for 13618, 13620	A8	33953	Circlip for 13618, 13620	B25	AJ203	Round Bar for 13618, 13620	B74
33976	Washer for 13618, 13620	A9	33954	Circlip for 13618, 13620	B26	15137	Carriage for 13618, 13620	B75
33977	Screw for 13618, 13620	A10	AJ191	Bearing for 13618, 13620	B27	33966	Carriage Screw for 13618, 13620	B76
33978	Push Knob for Sharpener for 13618, 13620	A11	33956	Pulley for 13618, 13620	B28	15140	Carriage Nut for 13618, 13620	B77
33979	Ball Bearing for 13618, 13620	A12	15100	Belt TB2310 1/8 8 Ribs for 13618, 13620	B29	15141	Pin for 13618, 13620	B78
33980	Spring for 13618, 13620	A13	AJ192	Spindle Pin for 13618, 13620	B30	AJ204	Bearing for 13618, 13620	B79
33981	Washer for 13618, 13620	A14	33958	Screw for 13618, 13620	B31	15143	Screw for 13618, 13620	B80
33982	Screw for 13618, 13620	A15	15101	Screw TC for 13618, 13620	B32	15144	Wing Nut for 13618, 13620	B81
33983	Washer for 13618, 13620	A16	13586	Blade 250E/F/R 40-3-210 for 13618, 13620	B33	15145	Plate for 13618, 13620	B82
33984	Sharpener Housing for 13618, 13620	A17	15103	Screw for 13618, 13620	B34	15146	Motor Adjustment Bar for 13618, 13620	B83
33985	Grinding Shaft for 13618, 13620	A18	AJ193	Blade Cover for 13618, 13620	B35	15147	Spring for Adjustment Bar for 13618, 13620	B84
33914	G Stone 40x08x06 for 13618, 13620	A19	14976	Wrist Guard Plate for 13618, 13620	B46	AJ205	Motor Dom for 13618, 13620	B85
33987	Washer for 13618, 13620	A20	AJ194	Pressing Knob for 13618, 13620	B47	15149	Screw for 13618, 13620	B86
33988	Nut for 13618, 13620	A21	AJ195	Screw T.P.S.V. for 13618, 13620	B48	AJ206	Vent for 13618, 13620	B87
17212	Omcan F Stone 45x08x06 for 13618, 13620	A22	AJ196	Press for 13618, 13620	B49	15151	Motor Pin for 13618, 13620	B88
33990	Honing Shaft for 13618, 13620	A23	15115	Pin for 13618, 13620	B50	15152	Circlip for 13618, 13620	B89
33991	Sharpener Cover for 13618, 13620	A24	15117	Lock for 13618, 13620	B52	14933	Foot for 13618, 13620	B90
33992	Spring for 13618, 13620	A25	15118	Meat Plate for 13618, 13620	B53	AJ207	Flat Guard Screw for 13618, 13620	B91
15082	Casing for 13618, 13620	B1	15119	Screw for 13618, 13620	B54	AJ208	Allen Screw for 13618, 13620	B93
15083	Screw for 13618, 13620	B2	15121	Meat Plate Support for 13618, 13620	B56	25162	Bottom Cover for 13618, 13620	D4
AJ186	Graduated Knob for 13618, 13620	B3	AJ197	Arm Knob for 13618, 13620	B57	18933	Micro Switch for 13618, 13620	D10
AJ187	Chrome Screw for 13618, 13620	B4	15122	Screw for Support Bar for 13618, 13620	B58	15097	Tie Rod for 13618, 13620	D11
15085	Rivet for 13618, 13620	B5	AJ198	Square Bar for 13618, 13620	B59	33994	Screw for 13618, 13620	D13
15086	Screw for 13618, 13620	B6	15124	Screw for 13618, 13620	B60	33995	Safety Switch Holder for 13618, 13620	D14
15087	Plate for 13618, 13620	B7	15125	Washer for 13618, 13620	B61	33996	Pivot Chuck for 13618, 13620	D15
14922	On/Off Switch for 13618, 13620	B8	15126	Cam for 13618, 13620	B62	15081	Complete Meat Tray Assembly for 13618, 13620	
15088	Capacitor 12.5UF 370-470V for 13618, 13620	B9	15127	Cam Screw for 13618, 13620	B63	33964	Slide Support Complete for 13618, 13620	
15089	Clamp for 13618, 13620	B10	AJ199	Little Group for 13618, 13620	B64	41167	Complete Sharpening Assembly for 13618, 13620	
15090	Screw TC for 13618, 13620	B11	AJ200	Little Group Pin for 13618, 13620	B65			
15092	Screw TE for 13618, 13620	B16	15128	Screw TC for 13618, 13620	B66			

Parts Breakdown

Model MS-IT-0250-I 13621



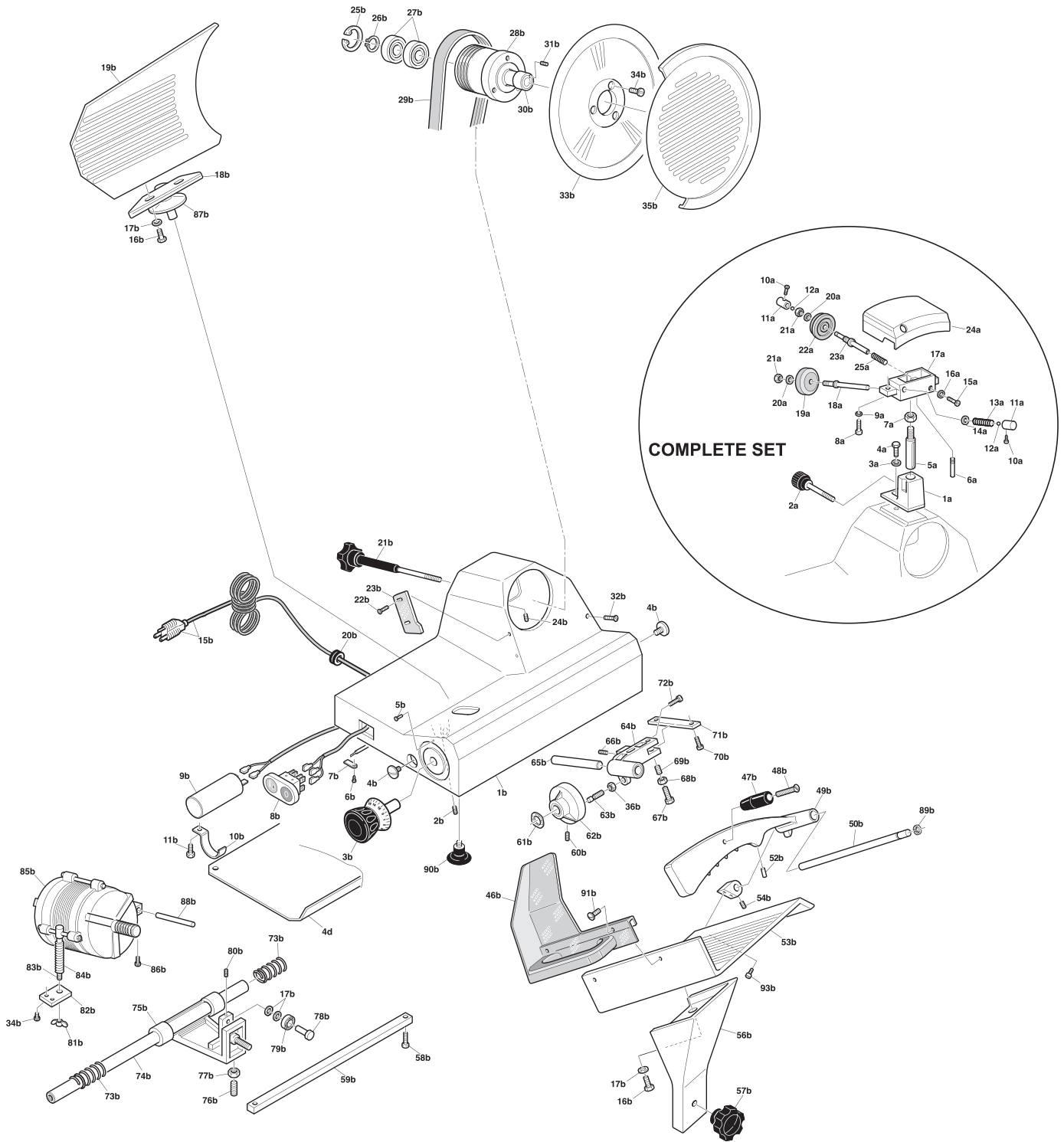
Parts Breakdown

Model MS-IT-0250-I 13621

Item No.	Description	Position	Item No.	Description	Position	Item No.	Description	Position
33997	Housing for 13621	A1	15057	Clip for 13621	A38	15071	Meat Deflector for 13621	A73
15026	Set Screw TC for 13621	A2	15058	Clip for 13621	A39	34026	Screw TC for 13621	A74
15027	Set Screw TC for 13621	A3	AJ215	Bearing for 13621	A40	34027	Copper Rivet for 13621	A75
AJ209	Small Group Pin for 13621	A4	15060	Spacer for 13621	A41	34028	Index Knob for 13621	A76
AJ210	Screw TC for 13621	A5	34002	Belt TB2-310x8 for 13621	A42	AJ223	Screw Inox for 13621	A77
33998	Stop Plate for 13621	A6	AJ216	Spindle Pulley for 13621	A43	34030	Light for 13621	A78
33999	Strain Relief for 13621	A7	AJ217	Spindle Pin for 13621	A44	15195	Switch - On/Off for 13621	A79
15030	Set Screw TP for 13621	A8	15064	Blade Set Screw for 13621	A45	AJ224	Square Bar for 13621	A80
17686	Tie Rod for 13621	A9	13586	Blade 250E/F/R 40-3-210 for 13621	A46	AJ225	Bearing for 13621	A81
15031	Sharpener Tie Rod for 13621	A10	15065	Screw TPSV for 13621	A47	34034	Bearing Pin for 13621	A82
AJ211	Pipette for 13621	A11	15066	Blade Shield for 13621	A48	AJ226	Grain in Iron for 13621	A83
15033	Washer for 13621	A12	AJ218	Pressing Knob for 13621	A49	AJ227	Wheat P.V.C. Telescope for 13621	A84
15034	Screw TE for 13621	A13	AJ219	Captive for 13621	A50	34037	Slide Bar Spring for 13621	A85
15035	Shaft for Sharpener for 13621	A14	AJ220	Presser for 13621	A51	34038	Carriage Support for 13621	A86
15037	Sharpener Pin for 13621	A16	34005	Plastic Dowel for 13621	A52	34039	Screw TC for 13621	A87
33553	Finishing Stone for 13621	A17	34006	Meat Tray Shaft Spring for 13621	A53	AJ228	Round Bar for 13621	A88
15038	Washer for 13621	A18	34007	Meat Tray Shaft for 13621	A54	34041	Stop Plate for 13621	A89
15039	Nut for 13621	A19	34008	Meat Tray for 13621	A55	15073	Foot for 13621	A90
15040	Set Screw for 13621	A20	34009	Guide Plate for 13621	A56	15074	Capacitor for 13621	A91
15041	Nut for 13621	A21	34010	Meat Tray Support for 13621	A57	AJ229	Condenser Clamp for 13621	A92
15042	Screw TGS for 13621	A22	15070	Carriage Knob for 13621	A58	34043	Screw TC for 13621	A93
15043	Sharpener Push Button for 13621	A23	34011	Screw TE for 13621	A59	AJ230	Nut for 13621	A94
15044	Ball Bearing for 13621	A24	34012	Screw TE for 13621	A60	AJ231	Engine Plate for 13621	A95
33032	45x9x6 Sharpening Stone for 13621	A25	34013	Guide Plate Support for 13621	A61	AJ232	Nut for 13621	A96
15045	Sharpener Pin for 13621	A26	AJ221	Group Plate for 13621	A62	34047	Washer for 13621	A97
15046	Sharpener Pin Spring for 13621	A27	34015	Screw TC for 13621	A63	34048	Hinge for 13621	A98
AJ212	Canopy for 13621	A28	34016	Set Screw TC for 13621	A64	34049	Motor Support Shaft for 13621	A99
AJ213	Sharpening Body for 13621	A29	34017	Cam Guide for 13621	A65	15076	Guide Plate Support Cover for 13621	A101
15050	Washer for 13621	A31	34019	Nut for 13621	A66	AJ233	Motor Dom for 13621	A103
15051	Screw TC for 13621	A32	34020	Cam Screw for 13621	A67	AJ234	Cord for 13621	A104
15052	Sharpener Push Button for 13621	A33	AJ222	Corrugated Washer for 13621	A68	AJ235	White Ring for 13621	A108
15053	Sharpener Pin Spring for 13621	A34	34022	Set Screw for 13621	A69	AJ236	Protection of Electrical Parts for 13621	C4
AJ214	Bead for 13621	A35	34023	Cam for 13621	A70	15350	Complete Sharpening Assy. for 13621	
15055	Washer for 13621	A36	34024	Screw TE for 13621	A71	34018	Cam Assembly for 13621	
15056	Screw TC for 13621	A37	34025	Screw TC for 13621	A72			

Parts Breakdown

Model MS-IT-0250-IP 13623



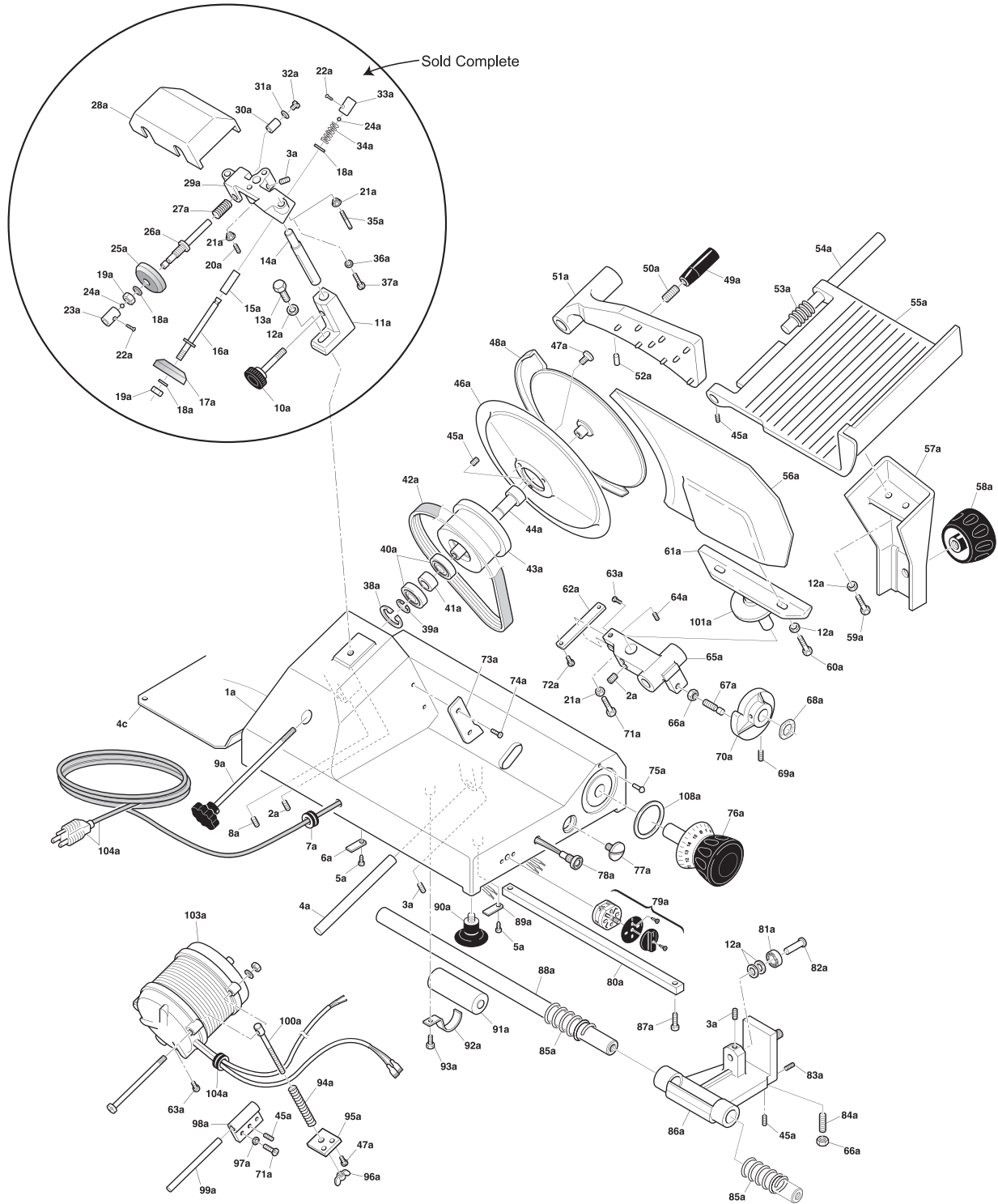
Parts Breakdown

Model MS-IT-0250-IP 13623

Item No.	Description	Position	Item No.	Description	Position	Item No.	Description	Position
AJ237	Pipette for 13623	A1	34088	Screw TC for 13623	B11	34123	Cam for 13623	B62
34054	Thumb Screw for Sharpener for 13623	A2	34089	Screw TE for 13623	B16	34124	Cam Screw for 13623	B63
34055	Washer for 13623	A3	34090	Washer for 13623	B17	AJ253	Little Group for 13623	B64
34056	Screw for 13623	A4	AJ244	Sail Support for 13623	B18	AJ254	Small Group Pin for 13623	B65
34057	Sharpener Shaft for 13623	A5	AJ245	Sail for 13623	B19	34128	Screw TC for 13623	B66
34058	Screw for 13623	A6	34093	Strain Relief for 13623	B20	34129	Screw TC for 13623	B67
34059	Nut for 13623	A7	34094	Tie Rod for 13623	B21	34130	Nut for 13623	B68
34060	Screw for 13623	A8	34095	Deflector Screw for 13623	B22	34131	Screw Testa CACC for 13623	B69
34061	Washer for 13623	A9	34096	Slice Deflector for 13623	B23	34132	Screw for 13623	B70
34062	Screw for 13623	A10	34097	Screw for 13623	B24	AJ255	Group Plate for 13623	B71
34063	Push Knob for Sharpener for 13623	A11	34098	Circlip for 13623	B25	34134	Screw TC for 13623	B72
34064	Ball Bearing for 13623	A12	34099	Circlip for 13623	B26	34135	Slide Bar Spring for 13623	B73
34065	Spring for 13623	A13	34100	Pulley Bearing for 13623	B27	AJ256	Round Bar for 13623	B74
34066	Washer for 13623	A14	AJ246	Spindle Pulley for 13623	B28	34137	Carriage for 13623	B75
34067	Screw for 13623	A15	14962	Belt TB2-295 8 Ribs for 13623	B29	34138	Carriage Screw for 13623	B76
34068	Washer for 13623	A16	AJ247	Spindle Pin for 13623	B30	34139	Carriage Nut for 13623	B77
AJ238	Sharpening Body for 13623	A17	34104	Screw for 13623	B31	34140	Pin for 13623	B78
34070	Grinding Shaft for 13623	A18	34105	Screw TC for 13623	B32	AJ257	Bearing for 13623	B79
33914	G Stone 40x08x06 for 13623	A19	13586	Blade 250E/F/R 40-3-210 for 13623	B33	34142	Screw for 13623	B80
34072	Washer for 13623	A20	34107	Screw for 13623	B34	34143	Wing Nut for 13623	B81
34073	Nut for 13623	A21	24541	Blade Cover for 13623	B35	34144	Plate for 13623	B82
17212	Omcan F Stone 45x08x06 for 13623	A22	AJ248	Flat Hand Guard for 13623	B46	34145	Motor Adjustment Bar for 13623	B83
34075	Honing Shaft for 13623	A23	14893	Meat Grip Knob (Blk) for 13623	B47	34146	Spring for Adjustment Bar for 13623	B84
34076	Sharpener Cover for 13623	A24	AJ250	Screw T.P.S.V. for 13623	B48	15012	Motor for 13623	B85
34077	Spring for 13623	A25	34111	Meat Grip for 13623	B49	34148	Screw for 13623	B86
AJ239	Case for 13623	B1	34112	Pin for 13623	B50	AJ258	Vent for 13623	B87
34079	Screw for 13623	B2	34114	Lock for 13623	B52	34150	Motor Pin for 13623	B88
AJ240	Graduated Knob for 13623	B3	34115	Meat Plate for 13623	B53	34151	Circlip for 13623	B89
AJ241	Chrome Screw for 13623	B4	34116	Screw for 13623	B54	AJ259	Foot for 13623	B90
34082	Rivet for 13623	B5	34117	Meat Plate Support for 13623	B56	AJ260	Flat Guard Screw for 13623	B91
34083	Screw for 13623	B6	AJ251	Arm Knob for 13623	B57	AJ261	Allen Screw for 13623	B93
34084	Plate for 13623	B7	34119	Screw for Support Bar for 13623	B58	34126	Slide Support Complete for 13623	
AJ242	Switch for 13623	B8	AJ252	Square Bar for 13623	B59	41167	Complete Sharpening Assy. for 13623	
AJ243	Capacitor for 13623	B9	34121	Screw for 13623	B60			
34087	Clamp for 13623	B10	34122	Washer for 13623	B61			

Parts Breakdown

Model MS-IT-0275-I 13625



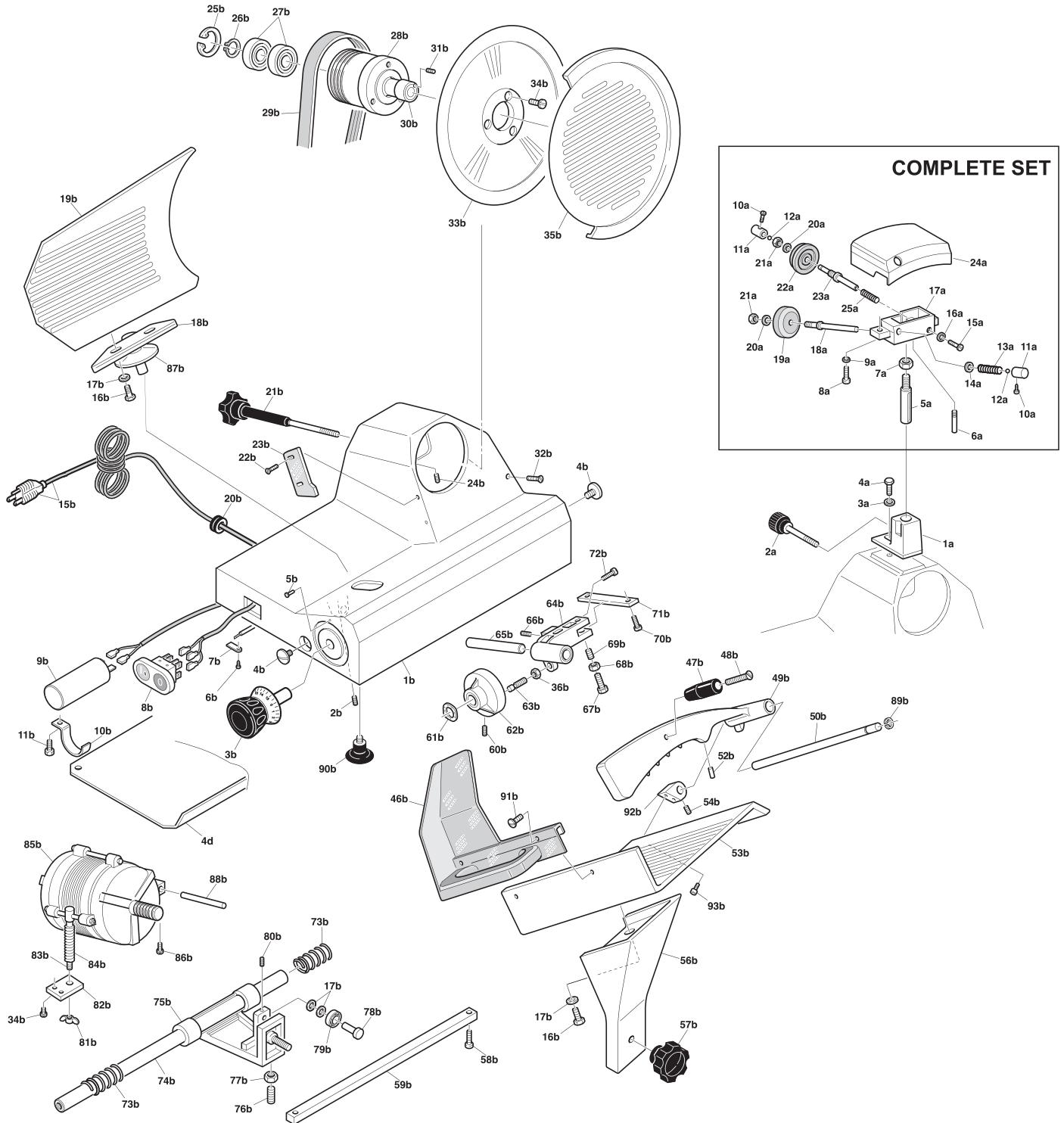
Parts Breakdown

Model MS-IT-0275-I 13625

Item No.	Description	Position	Item No.	Description	Position	Item No.	Description	Position
34254	Housing for 13625	A1	34291	Clip for 13625	A38	AJ282	Parafette for 13625	A73
34255	Set Screw TC for 13625	A2	34293	Clip for 13625	A39	AJ283	Screw T.C. for 13625	A74
34256	Set Screw TC for 13625	A3	AJ268	Bearing for 13625	A40	34330	Copper Rivet for 13625	A75
AJ262	Small Group Pin for 13625	A4	34296	Spacer for 13625	A41	AJ284	Graduated Knob for 13625	A76
AJ263	Screw TC for 13625	A5	34297	Belt TB2-360x10 for 13625	A42	AJ285	Screw Inox for 13625	A77
34260	Stop Plate for 13625	A6	AJ269	Spindle Pulley for 13625	A43	34333	Light for 13625	A78
34261	Strain Relief for 13625	A7	AJ270	Spindle Pin for 13625	A44	15195	Switch - On / Off for 13625	A79
34262	Set Screw TP for 13625	A8	AJ271	Bead for 13625	A45	AJ286	Square Bar for 13625	A80
17686	Tie Rod for 13625	A9	13590	Blade 40-3-220 (22) for 13625	A46	AJ287	Bearing for 13625	A81
34263	Sharpener Tie Rod for 13625	A10	34302	Screw TPSV for 13625	A47	34337	Bearing Pin for 13625	A82
AJ264	Pipette for 13625	A11	15158	Blade Shield for 13625	A48	AJ288	Iron Bead for 13625	A83
34265	Washer for 13625	A12	AJ272	Presser (Red) Knob for 13625	A49	34339	Set Screw PVC for 13625	A84
34266	Screw TE for 13625	A13	AJ273	Captive for 13625	A50	34340	Slide Bar Spring for 13625	A85
34267	Shaft for Sharpener for 13625	A14	AJ274	Presser for 13625	A51	34341	Carriage Support for 13625	A86
34269	Sharpener Pin for 13625	A16	AJ275	Plastic Bead Holder for 13625	A52	34342	Screw TC for 13625	A87
33553	Finishing Stone for 13625	A17	AJ276	Spring Presser for 13625	A53	AJ289	Round Bar for 13625	A88
34271	Washer for 13625	A18	AJ277	Rod for 13625	A54	34344	Stop Plate for 13625	A89
34272	Nut for 13625	A19	AJ278	Plate for 13625	A55	AJ290	Foot for 13625	A90
34273	Set Screw for 13625	A20	34310	Guide Plate for 13625	A56	34346	Capacitor for 13625	A91
34274	Nut for 13625	A21	AJ279	Arm for 13625	A57	AJ291	Condenser Clamp for 13625	A92
34275	Screw TGS for 13625	A22	34312	Carriage Knob for 13625	A58	34348	Screw TC for 13625	A93
34276	Sharpener Push Button for 13625	A23	34313	Screw TE for 13625	A59	AJ292	Nut for 13625	A94
34277	Ball Bearing for 13625	A24	34314	Screw TE for 13625	A60	AJ293	Engine Plate for 13625	A95
33032	45x9x6 Sharpening Stone for 13625	A25	34315	Guide Plate Support for 13625	A61	AJ294	Nut for 13625	A96
34279	Sharpener Pin for 13625	A26	AJ280	Group Plate for 13625	A62	34352	Washer for 13625	A97
34280	Sharpener Pin Spring for 13625	A27	34317	Screw TC for 13625	A63	34353	Hinge for 13625	A98
AJ265	Sun Canopy EXCE for 13625	A28	34318	Set Screw TC for 13625	A64	34354	Motor Support Shaft for 13625	A99
AJ266	Sharpening Body for 13625	A29	34319	Cam Guide for 13625	A65	34355	Motor Tie Rod for 13625	A100
34284	Washer for 13625	A31	34321	Nut for 13625	A66	34356	Guide Plate Support Cover for 13625	A101
34285	Screw TC for 13625	A32	34322	Cam Screw for 13625	A67	15078	Motor for 13625	A103
34286	Sharpener Push Button for 13625	A33	AJ281	Corrugated Washer for 13625	A68	AJ295	Cord for 13625	A104
34287	Sharpener Pin Spring for 13625	A34	34324	Set Screw for 13625	A69	AJ296	White Ring for 13625	A108
AJ267	Captive Stud for 13625	A35	34325	Cam for 13625	A70	25161	Bottom Cover for 13625	C4
34289	Washer for 13625	A36	34326	Screw TE for 13625	A71	34320	Cam Assembly for 13625	
34290	Screw TC for 13625	A37	34327	Screw TC for 13625	A72	15156	Complete Sharpening Assy. for 13625	

Parts Breakdown

Model MS-IT-0275-IP 13624



Parts Breakdown

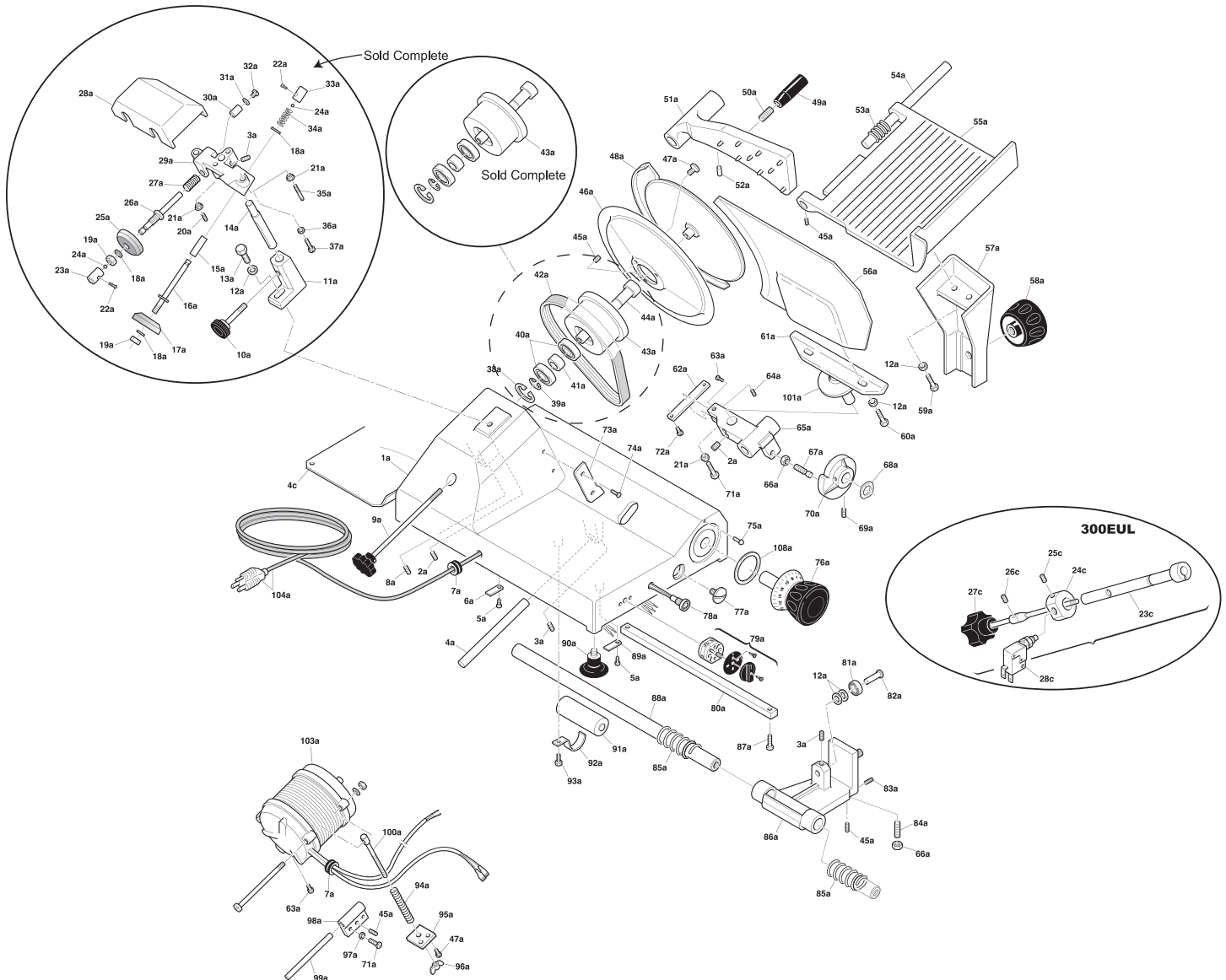
Model MS-IT-0275-IP 13624

Item No.	Description	Position	Item No.	Description	Position	Item No.	Description	Position
AJ297	Pipette for 13624	A1	34189	Screw TE for 13624	B16	34225	Slide Support for 13624	B64
34154	Thumb Screw for Sharpener for 13624	A2	34190	Washer for 13624	B17	AJ320	Group Pin for 13624	B65
34155	Washer for 13624	A3	AJ303	Sail Support for 13624	B18	34228	Screw TC for 13624	B66
34156	Screw for 13624	A4	AJ304	Sail for 13624	B19	34229	Screw TC for 13624	B67
34157	Sharpener Shaft for 13624	A5	34193	Strain Relief for 13624	B20	34230	Nut for 13624	B68
34158	Screw for 13624	A6	15097	Tie Rod for 13624	B21	AJ321	Bead Head Hunting for 13624	B69
34159	Nut for 13624	A7	AJ306	Self-Tapping Screw for 13624	B22	34232	Screw for 13624	B70
34160	Screw for 13624	A8	AJ307	Parafette for 13624	B23	AJ322	Group Plate for 13624	B71
34161	Washer for 13624	A9	34197	Screw for 13624	B24	34234	Screw TC for 13624	B72
34162	Screw for 13624	A10	34198	Circlip for 13624	B25	34235	Slide Bar Spring for 13624	B73
34163	Push Knob for Sharpener for 13624	A11	34199	Circlip for 13624	B26	AJ323	Round Bar for 13624	B74
34164	Ball Bearing for 13624	A12	AJ308	Bearing for 13624	B27	34237	Carriage for 13624	B75
34165	Spring for 13624	A13	AJ309	Spindle Pulley for 13624	B28	34238	Carriage Screw for 13624	B76
34166	Washer for 13624	A14	AJ310	Belt for 13624	B29	34239	Carriage Nut for 13624	B77
34167	Screw for 13624	A15	AJ311	Spindle Pin for 13624	B30	34240	Pin for 13624	B78
34168	Washer for 13624	A16	34204	Screw for 13624	B31	AJ324	Bearing for 13624	B79
AJ298	Sharpening Block for 13624	A17	34205	Screw TC for 13624	B32	34242	Screw for 13624	B80
34170	Grinding Shaft for 13624	A18	13590	Blade 40-3-220 (22) for 13624	B33	34243	Wing Nut for 13624	B81
33553	Finishing Stone for 13624	A19	34207	Screw for 13624	B34	34244	Plate for 13624	B82
34172	Washer for 13624	A20	23902	Blade Cover for 13624	B35	34245	Motor Adjustment Bar for 13624	B83
34173	Nut for 13624	A21	14976	Wrist Guard Plate for 13624	B46	34246	Spring for Adjustment Bar for 13624	B84
33032	45x9x6 Sharpening Stone for 13624	A22	AJ312	Pressing Knob for 13624	B47	AJ325	Ventilated Motor for 13624	B85
34175	Honing Shaft for 13624	A23	AJ313	Screw T.P.S.V. for 13624	B48	34248	Screw for 13624	B86
AJ299	Sun Canopy EXCE for 13624	A24	AJ314	Presser for 13624	B49	AJ326	Vent for 13624	B87
34177	Spring for 13624	A25	AJ315	Rod for 13624	B50	34250	Motor Pin for 13624	B88
34178	Casing for 13624	B1	34214	Lock for 13624	B52	AJ327	Compass for Locking Gear Press for 13624	B89
34179	Screw for 13624	B2	AJ316	Plate for 13624	B53	14933	Foot for 13624	B90
AJ300	Graduated Knob for 13624	B3	34216	Screw for 13624	B54	AJ328	Flat Guard Screw for 13624	B91
AJ301	Screw Inox for 13624	B4	AJ317	Arm for 13624	B56	AJ329	Block for 13624	B92
34182	Rivet for 13624	B5	AJ197	Arm Knob for 13624	B57	AJ330	Allen Screw for 13624	B93
34183	Screw for 13624	B6	34219	Screw for Support Bar for 13624	B58	37118	Bottom Cover for 13624	D4
34184	Plate for 13624	B7	AJ319	Square Bar for 13624	B59	19283	Complete Meat Tray Assy for 13624	
AJ302	Switch for 13624	B8	34221	Screw for 13624	B60	34226	Slide Support Complete for 13624	
34186	Capacitor for 13624	B9	34222	Washer for 13624	B61	15156	Complete Sharpening Assy for 13624	
34187	Clamp for 13624	B10	34223	Cam for 13624	B62			
34188	Screw TC for 13624	B11	34224	Cam Screw for 13624	B63			

Parts Breakdown

Model MS-IT-0300-B 13626

Model MS-IT-0300-U 13628



Parts Breakdown

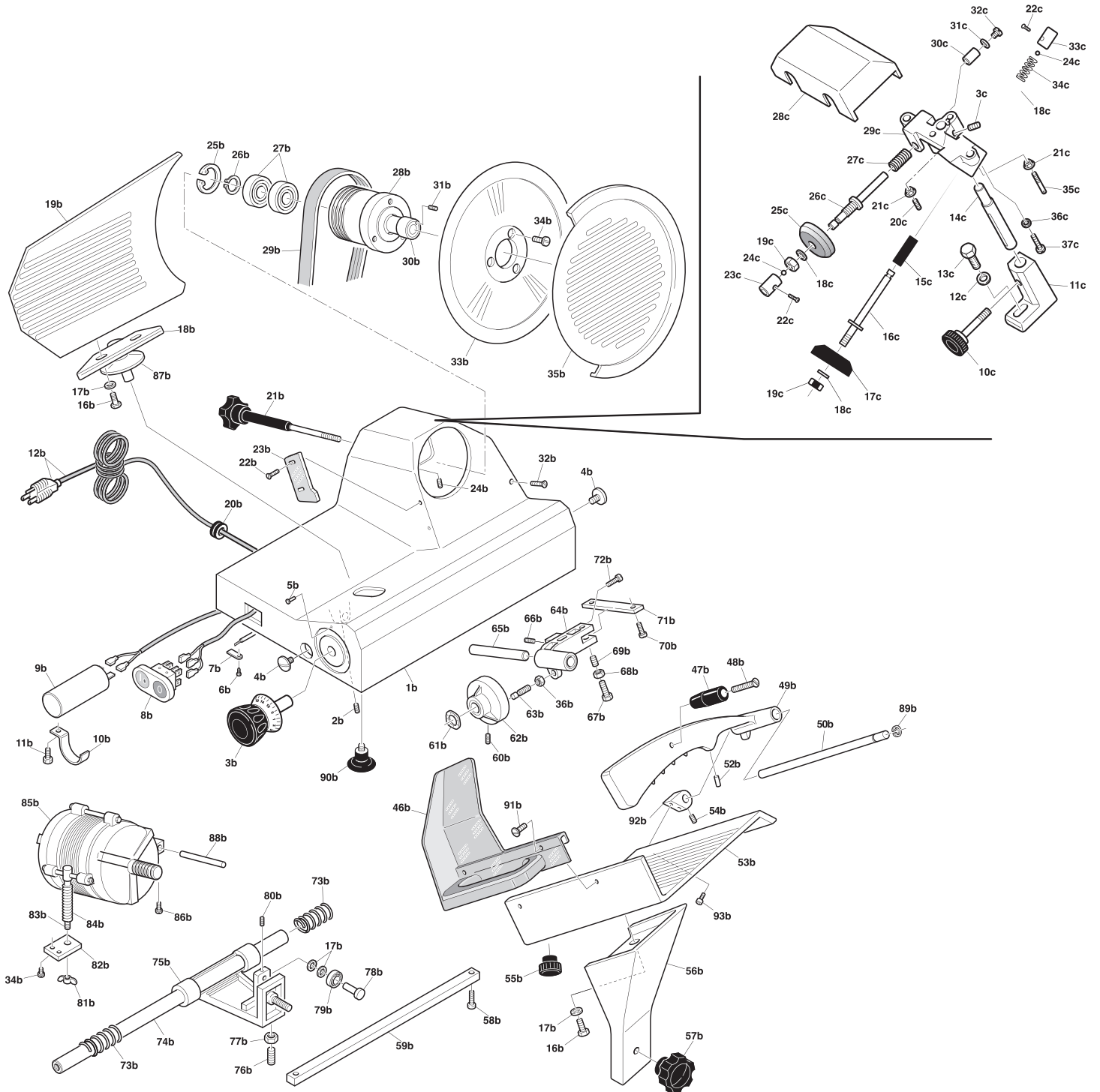
Model MS-IT-0300-B 13626

Model MS-IT-0300-U 13628

Item No.	Description	Position	Item No.	Description	Position	Item No.	Description	Position
AJ331	Case for 13626, 13628	A1	AJ338	Bearing for 13626, 13628	A40	AJ345	Screw Inox for 13626, 13628	A77
34360	Set Screw TC for 13626, 13628	A2	34399	Spacer for 13626, 13628	A41	34419	Light for 13626, 13628	A78
34361	Set Screw TC for 13626, 13628	A3	15179	Belt TB2-360x12 for 13626, 13628	A42	15195	Switch - On/Off for 13626, 13628	A79
AJ332	Small Group Pin for 13626, 13628	A4	15180	Spindle Pulley for 13626, 13628	A43	AJ346	Square Bar for 13626, 13628	A80
AJ333	Screw TC for 13626, 13628	A5	AJ339	Spindle Pin for 13626, 13628	A44	AJ347	Bearing for 13626, 13628	A81
34365	Stop Plate for 13626, 13628	A6	34401	Set Screw for 13626, 13628	A45	34420	Bearing Pin for 13626, 13628	A82
34366	Strain Relief for 13626, 13628	A7	13594	Blade 40-3-250 (19) for 13626, 13628	A46	AJ348	Iron Bead for 13626, 13628	A83
34367	Set Screw TP for 13626, 13628	A8	15181	Screw TPSV for 13626, 13628	A47	15196	Set Screw PVC for 13626, 13628	A84
15176	Tie Rod for 13626, 13628	A9	15182	Blade Shield for 13626, 13628	A48	19246	Slide Bar Spring for 13626, 13628	A85
34368	Sharpener Tie Rod for 13626, 13628	A10	14893	Meat Grip Knob (Blk) for 13626, 13628	A49	15197	Carriage Support for 13626, 13628	A86
AJ334	Pipette for 13626, 13628	A11	15184	Meat Grip Handle Screw for 13626, 13628	A50	34422	Screw TC for 13626, 13628	A87
34370	Washer for 13626, 13628	A12	AJ340	Presser for 13626, 13628	A51	AJ349	Round Bar for 13626, 13628	A88
34371	Screw TE for 13626, 13628	A13	34403	Plastic Dowel for 13626, 13628	A52	34424	Stop Plate for 13626, 13628	A89
34372	Shaft for Sharpener for 13626, 13628	A14	18937	Meat Tray Shaft Spring for 13626, 13628	A53	15073	Foot for 13626, 13628	A90
34373	Sharpener Pin for 13626, 13628	A16	34404	Meat Tray Shaft for 13626, 13628	A54	15198	Capacitor for 13626, 13628	A91
33553	Finishing Stone for 13626, 13628	A17	AJ341	Plate for 13626, 13628	A55	AJ350	Condenser Clamp for 13626, 13628	A92
34375	Washer for 13626, 13628	A18	17690	Guide Plate for 13626, 13628	A56	34427	Screw TC for 13626, 13628	A93
34376	Nut for 13626, 13628	A19	AJ342	Arm for 13626, 13628	A57	AJ351	Nut for 13626, 13628	A94
34377	Set Screw for 13626, 13628	A20	15187	Carriage Knob for 13626, 13628	A58	AJ352	Nut for 13626, 13628	A96
34378	Nut for 13626, 13628	A21	34406	Screw TE for 13626, 13628	A59	34431	Washer for 13626, 13628	A97
34379	Screw TGS for 13626, 13628	A22	34407	Screw TE for 13626, 13628	A60	34432	Hinge for 13626, 13628	A98
34380	Sharpener Push Button for 13626, 13628	A23	15188	Guide Plate Support for 13626, 13628	A61	34433	Motor Support Shaft for 13626, 13628	A99
34381	Ball Bearing for 13626, 13628	A24	AJ343	Group Plate for 13626, 13628	A62	34434	Motor Tie Rod for 13626, 13628	A100
33032	45x9x6 Sharpening Stone for 13626, 13628	A25	34409	Screw TC for 13626, 13628	A63	34249	Ventosa (Guide Plate Support Cover) for 13626, 13628	A101
34383	Sharpener Pin for 13626, 13628	A26	34410	Set Screw TC for 13626, 13628	A64	15078	Motor for 13626, 13628	A103
34384	Sharpener Pin Spring for 13626, 13628	A27	15189	Cam Guide for 13626, 13628	A65	AJ353	Cord for 13626, 13628	A104
AJ335	Sun Canopy EXCE for 13626, 13628	A28	15190	Nut for 13626, 13628	A66	AJ354	White Ring for 13626, 13628	A108
AJ336	Sharpening Body for 13626, 13628	A29	34412	Cam Screw for 13626, 13628	A67	AJ355	Protection of Electrical Parts for 13626, 13628	C4
34388	Washer for 13626, 13628	A31	AJ344	Corrugated Washer for 13626, 13628	A68	34437	Bearing Shaft for 13626, 13628	C23
34389	Screw TC for 13626, 13628	A32	34414	Set Screw for 13626, 13628	A69	25164	Tie Rod Ring for 13626, 13628	C24
34390	Sharpener Push Button for 13626, 13628	A33	15191	Cam for 13626, 13628	A70	34438	Set Screw for 13626, 13628	C25
34391	Sharpener Pin Spring for 13626, 13628	A34	34415	Screw TE for 13626, 13628	A71	34439	Set Screw for 13626, 13628	C26
AJ337	Bead for 13626, 13628	A35	34416	Screw TC for 13626, 13628	A72	34440	Tie Rod with Spring for 13626, 13628	C27
34393	Washer for 13626, 13628	A36	15192	Meat Deflector for 13626, 13628	A73	34441	Micro Switch for 13626, 13628	C28
34394	Screw TC for 13626, 13628	A37	15193	Deflector Screw for 13626, 13628	A74	15350	Complete Sharpener Assy for 13626, 13628	
34395	Clip for 13626, 13628	A38	34417	Copper Rivet for 13626, 13628	A75			
34397	Clip for 13626, 13628	A39	15194	Index Knob for 13626, 13628	A76			

Parts Breakdown

Model MS-IT-0300-I 21624



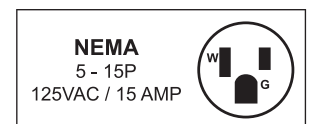
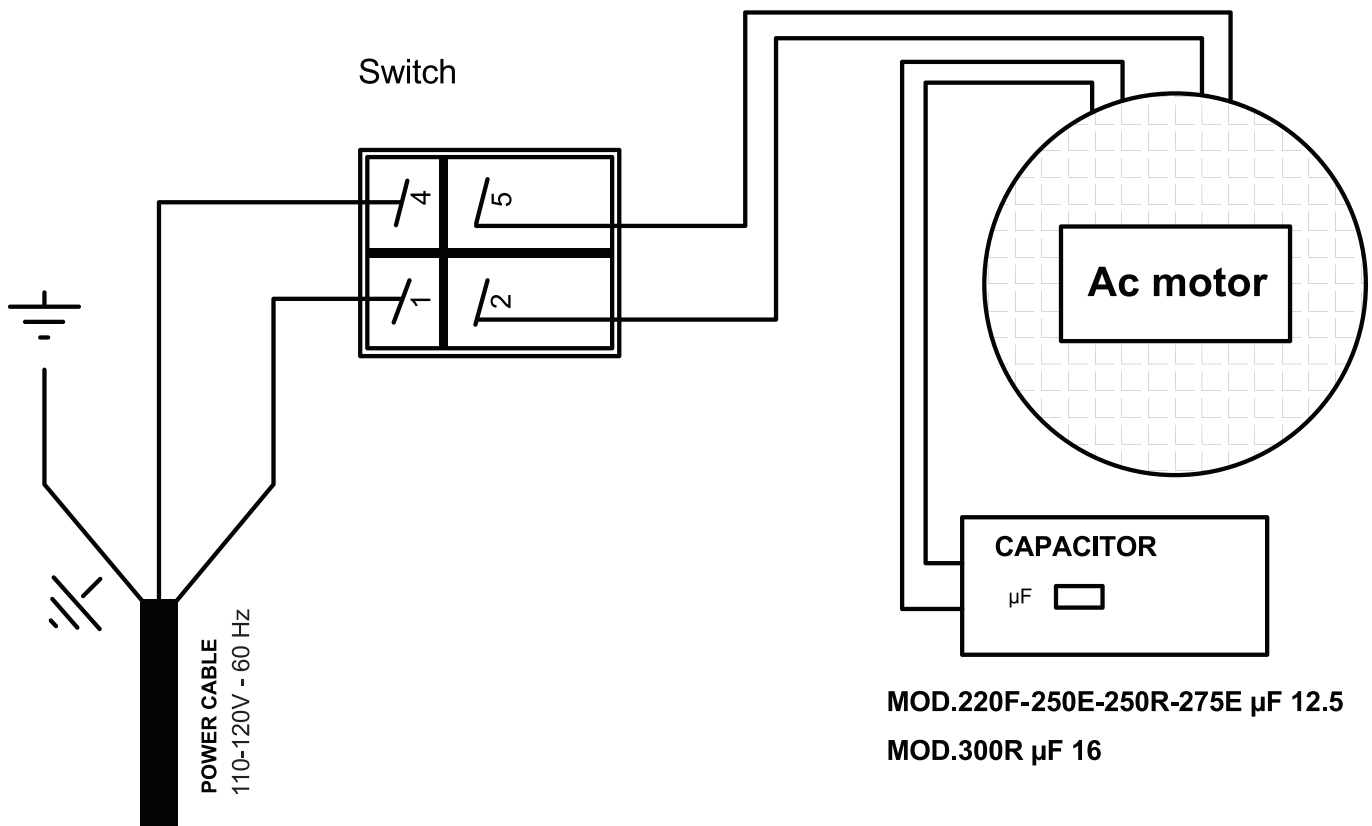
Parts Breakdown

Model MS-IT-0300-I 21624

Item No.	Description	Position	Item No.	Description	Position	Item No.	Description	Position
AG335	Case for 21624	B1	AG370	Astina Zampina for 21624	B50	AG408	Compass Blocking Presser for 21624	B89
AG336	Bead for 21624	B2	AG372	Stop (Bead PL.Zampin) for 21624	B52	14933	Foot for 21624	B90
AJ356	Graduated Knob for 21624	B3	AJ367	Plate for 21624	B53	AG410	Flat Guard Screw for 21624	B91
AJ357	Screw Inox for 21624	B4	AG374	Bead for 21624	B54	AJ372	Block for 21624	B92
AG339	Copper Rivets for 21624	B5	AG375	Arm for 21624	B56	AJ373	Screw for 21624	B93
AG340	Self-Tapping Screw for 21624	B6	AG376	Arm Pommel for 21624	B57	AG411	Bead for 21624	C3
AG341	Thread-Holding Plate for 21624	B7	AG377	Screw for 21624	B58	AG412	Sharpener Pommel for 21624	C10
AG342	Switch for 21624	B8	AG378	Square Bar for 21624	B59	AJ374	Pipette for 21624	C11
AG343	Capacitor for 21624	B9	AG379	Bead for 21624	B60	AG414	Washer for 21624	C12
AG344	Condensator Clamp for 21624	B10	AG380	Corrugated Washer for 21624	B61	AG415	Screw for 21624	C13
AG345	Screw T.C. for 21624	B11	AG381	Cam for 21624	B62	AG416	Pin to Cave for 21624	C14
AG346	Cord for 21624	B12	AG382	Cone Bead Cams for 21624	B63	AG417	Compass for 21624	C15
AG347	Screw T.E. for 21624	B16	AG383	Complete Group for 21624	B64	AG418	Sharpening Pin for 21624	C16
AG348	Washer for 21624	B17	AG384	Pin Group for 21624	B65	33553	Finishing Stone for 21624	C17
AJ358	Sail Support for 21624	B18	AG385	Bead T.C. for 21624	B66	AG420	Washer for 21624	C18
AJ359	Sail for 21624	B19	AG386	Screw T.C. for 21624	B67	AG421	Nut for 21624	C19
AG351	Cable Pass for 21624	B20	AG387	Nut for 21624	B68	AG422	Bead for 21624	C20
15097	Tie Rod for 21624	B21	AJ368	Bead TC. for 21624	B69	AG423	Nut for 21624	C21
AG353	Self-Tapping Screw for 21624	B22	AG389	Screw for 21624	B70	AG424	Screw for 21624	C22
AG354	Parafette for 21624	B23	AJ369	Group Plate for 21624	B71	AG425	Button for 21624	C23
AG355	Bead for 21624	B24	AG391	Screw T.C. for 21624	B72	AG426	Ball for 21624	C24
AG356	Seiger for 21624	B25	AG392	Spring Scope for 21624	B73	33032	45x9x6 Sharpening Stone for 21624	C25
AG357	Seiger for 21624	B26	AG393	Round Bar for 21624	B74	AG428	Sharpening Pin for 21624	C26
AJ361	Bearing for 21624	B27	AG394	Telescope for 21624	B75	AG429	Spring Sharpener for 21624	C27
AG359	Spindle Pulley for 21624	B28	AG395	Telescope Bead PVC for 21624	B76	AG430	Canopy for 21624	C28
AJ362	Belt for 21624	B29	AG396	Nut for 21624	B77	AJ375	Sharpening Body for 21624	C29
AJ363	Spindle Pin for 21624	B30	AG397	Pin for 21624	B78	AG432	Compass for 21624	C30
AG362	Bead for 21624	B31	AJ370	Bearing for 21624	B79	AG433	Washer for 21624	C31
AG363	Screw T.C. for 21624	B32	AG399	Bead for 21624	B80	AG434	Screw for 21624	C32
13594	Blade 40-3-250 (19) for 21624	B33	AG400	Flap Nut (Corner) for 21624	B81	AG435	Button for 21624	C33
AG364	Screw T.P.S.V. for 21624	B34	AG401	Motor Plate for 21624	B82	AG436	Spring Sharpener for 21624	C34
AJ364	Blade Cover for 21624	B35	AG402	Motor Tie Rod for 21624	B83	AG437	Bead for 21624	C35
AG366	Flat Hand Guard for 21624	B46	AG403	Motor Spring for 21624	B84	AG438	Washer for 21624	C36
AJ365	Presser Knob for 21624	B47	AJ371	Ventilated Motor for 21624	B85	AG439	Screw for 21624	C37
AG368	Screw T.P.S.V. for 21624	B48	AG405	Screw for 21624	B86			
AJ366	Presser for 21624	B49	AG407	Motor Plug for 21624	B88			

Electrical Schematics

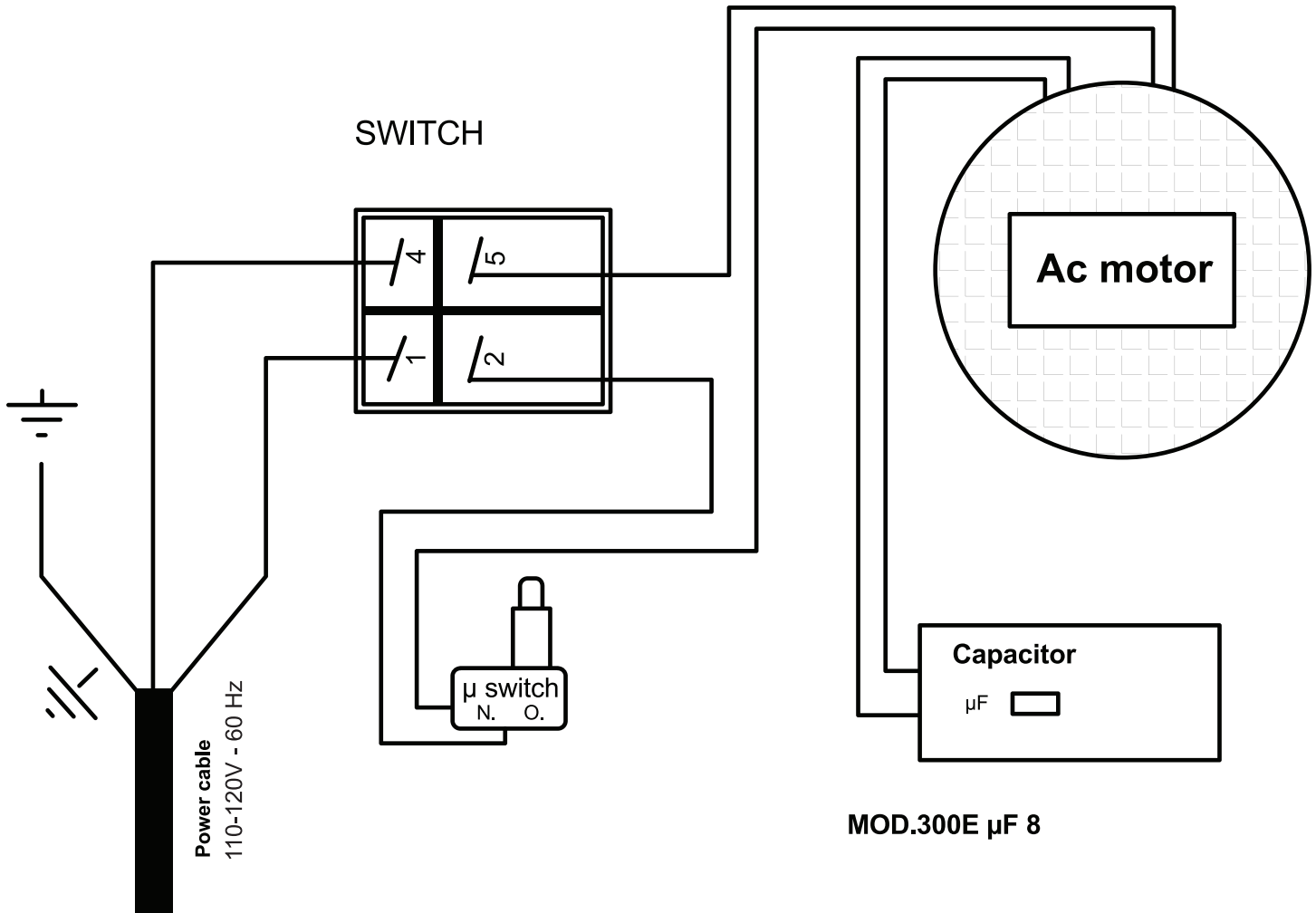
- Model MS-IT-0220-B** 13610
- Model MS-IT-0220-U** 13616
- Model MS-IT-0250-B** 13618
- Model MS-IT-0250-U** 13620
- Model MS-IT-0250-I** 13621
- Model MS-IT-0250-IP** 13623
- Model MS-IT-0275-I** 13625
- Model MS-IT-0275-IP** 13624
- Model MS-IT-0300-I** 21624



Electrical Schematics

Model MS-IT-0300-B 13626

Model MS-IT-0300-U 13628



NEMA
5 - 15P
125VAC / 15 AMP

Notes



Warranty Registration

Thank you for purchasing an Omcan product. To register your warranty for this product, complete the information below, tear off the card at the perforation and then send to the address specified below. You can also register online by visiting:

Merci d'avoir acheté un produit Omcan. Pour enregistrer votre garantie pour ce produit, complétez les informations ci-dessous, détachez la carte au niveau de la perforation, puis l'envoyer à l'adresse spécifiée ci-dessous. Vous pouvez également vous inscrire en ligne en visitant:

Gracias por comprar un producto Omcan usted. Para registrar su garantía para este producto, complete la información a continuación, cortar la tarjeta en la perforación y luego enviarlo a la dirección indicada a continuación. También puede registrarse en línea en:

<https://omcan.com/warranty-registration/>

For mailing in Canada

Pour postale au Canada

Por correo en Canadá

OMCAN

PRODUCT WARRANTY REGISTRATION

3115 Pepper Mill Court,
Mississauga, Ontario
Canada, L5L 4X5

For mailing in the US

Pour diffusion aux États-Unis

Por correo en los EE.UU.

OMCAN

PRODUCT WARRANTY REGISTRATION

4450 Witmer Industrial Estates, Unit 4,
Niagara Falls, New York
USA, 14305

or email to: service@omcan.com



Purchaser's Information

Name: _____

Address: _____

City: _____ Province or State: _____ Postal or Zip: _____

Country: _____

Dealer from which Purchased: _____

Dealer City: _____ Dealer Province or State: _____

Invoice: _____

Model Name: _____ Model Number: _____

Machine Description: _____

Date of Purchase (MM/DD/YYYY): _____

Would you like to extend the warranty? Yes No

Company Name: _____

Telephone: _____

Email Address: _____

Type of Company:

Restaurant Bakery Deli

Butcher Supermarket Caterer

Institution (*specify*): _____

Other (*specify*): _____

Serial Number: _____

Date of Installation (MM/DD/YYYY): _____

Thank you for choosing Omcan | Merci d'avoir choisi Omcan | Gracias por elegir Omcan



Since 1951 Omcan has grown to become a leading distributor of equipment and supplies to the North American food service industry. Our success over these many years can be attributed to our commitment to strengthen and develop new and existing relationships with our valued customers and manufacturers. Today with partners in North America, Europe, Asia and South America, we continually work to improve and grow the company. We strive to offer customers exceptional value through our qualified local sales and service representatives who provide convenient access to over 6,500 globally sourced products.

Depuis 1951 Omcan a grandi pour devenir un des “leaders” de la distribution des équipements et matériel pour l’industrie des services alimentaires en Amérique du Nord. Notre succès au cours de ces nombreuses années peut être attribué à notre engagement à renforcer et à développer de nouvelles et existantes relations avec nos clients et les fabricants de valeur. Aujourd’hui avec des partenaires en Amérique du Nord, Europe, Asie et Amérique du Sud, nous travaillons continuellement à améliorer et développer l’entreprise. Nous nous efforçons d’offrir à nos clients une valeur exceptionnelle grâce à nos ventes locales qualifiées et des représentants de service qui offrent un accès facile à plus de 6500 produits provenant du monde entier.

Desde 1951 Omcan ha crecido hasta convertirse en un líder en la distribución de equipos y suministros de alimentos en América del Norte industria de servicios. Nuestro éxito en estos años se puede atribuir a nuestro compromiso de fortalecer y desarrollar nuevas relaciones existentes con nuestros valiosos clientes y fabricantes. Hoy con socios de América del Norte, Europa, Asia y América del Sur, que trabajan continuamente para mejorar y crecer la empresa. Nos esforzamos por ofrecer a nuestros clientes valor excepcional a través de nuestro local de ventas y representantes de los servicios que proporcionan un fácil acceso a más de 6,500 productos con origen a nivel mundial.

