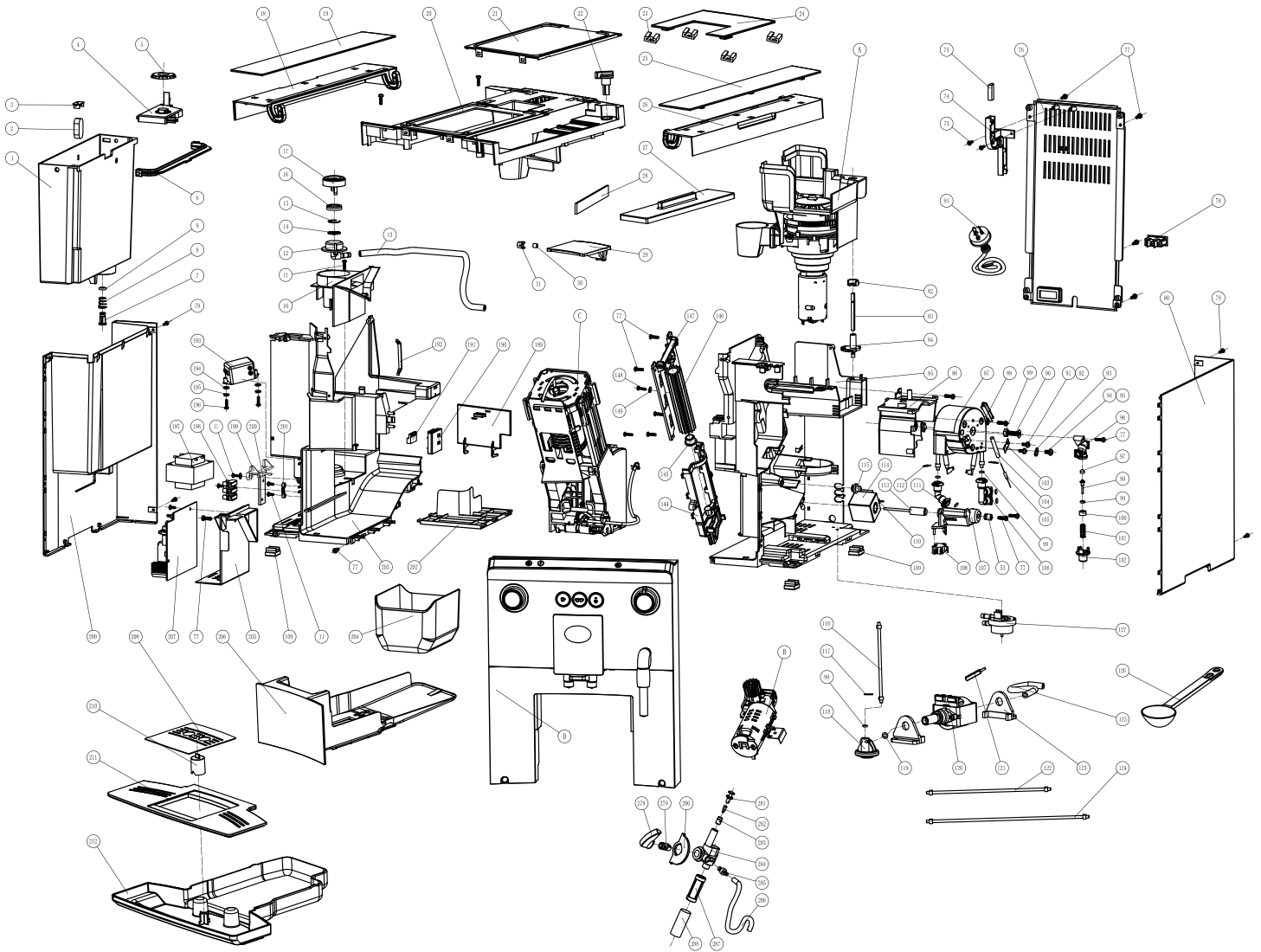


Parts Breakdown

Model **CM-CN-0019** 44602



Parts Breakdown

Model CM-CN-0019 44602

Item No.	Description	Position	Item No.	Description	Position	Item No.	Description	Position
AR798	Water Tank for 44602	1	AR822	Decorating Plate of Bean Tank for 44602	25	AR846	Sealing Felt for 44602	50
AR799	Floater in Water Tank for 44602	2	AR823	Cover Plate of Bean Tank for 44602	26	AR847	Brass Sleeve 1 for 44602	52
AR800	Floater Cover for 44602	3	AR824	Sealing Cover of Bean Tank for 44602	27	AR848	Solenoid Valve Buffer for 44602	53
AR801	Filter Cover for 44602	4	AR825	Pressure Sensitive Adhesive Tapes with PE 21x85 for 44602	28	AR849	Powder Barrel for 44602	55
AR802	Filter's Covering Cap for 44602	5	AR826	Cover Plate for Putting Powder for 44602	29	AR850	Steel Ball $\Phi 3.5$ for 44602	56
AR803	Handle of Water Tank for 44602	6	AR827	Magnet $\phi 6 \times 6$ for 44602	30	AR851	Spring $\Phi 3.0 \times 12$ for 44602	57
AR804	Mandril of Water Tank for 44602	7	AR828	Magnet Holder for 44602	31	AR852	Powder Screw's Support for 44602	58
AR805	Spring for Mandril for 44602	8	AR829	Small Weather Strip for 44602	32	AR853	Holder 1 for 44602	59
AR806	O-Ring for Mandril for 44602	9	AR830	Small Cap for 44602	33	AR854	Steel Ball $\Phi 5$ for 44602	60
AR807	Mandril's Holder of Water Tank for 44602	10	AR831	Bean Tank for 44602	34	AR855	Grinding Machine's Inner Plastic Frame for 44602	61
AR808	Tapping Screw ST2.9x10 for 44602	11, 43, 51, 54, 73, 77, 232	AR832	Big Weather Strip for 44602	35	AR856	Second-Level Gear's Fixing Pole for 44602	62
AR809	Water Connecting Land for 44602	12	AR833	Rubber Funnel for 44602	36	AR857	Second-Level Planet Gear for 44602	63
AR810	Rising Pipe of Water Tank $\phi 8.5 \times 285 \times \phi 5$ for 44602	13	AR834	Underside Cutter's Frame for 44602	37	AR858	Upside Pallet Gear for 44602	64
AR811	Filter Screen for 44602	14	AR835	O-Ring for Underside Cutter's Frame for 44602	38	AR859	Pallet Gear Spacer for 44602	65
AR812	Opening Ring Traveller for 44602	15	AR836	Underside Cutter for 44602	39	AR860	First-Level Gear's Fixing Pole for 44602	66
AR813	Gum Ring for Water Connecting Land for 44602	16	AR837	Outline Border of Underside Cutter's Frame for 44602	40	AR861	First-Level Planet Gear for 44602	67
AR814	Coping for 44602	17	AR838	Thickness Degree Alignment Jig (Upside) for 44602	41	AR862	Underside Pallet Gear for 44602	68
AR815	Cover Plate of Water Tank for 44602	18	AR839	Thickness Degree Alignment Jig (Underside) for 44602	42	AR863	Screw M4x12 for 44602	69, 148
AR816	Decorating Plate of Water Tank Cover Plate for 44602	19	AR840	Cutter's Lock Knob for 44602	44	AR864	Grinding Machine's Lock Washer for 44602	70
AR817	Body of Top Cover Plate for 44602	20	AR841	Upside Cutter for 44602	45	AR865	Grinding Machine's External Fixing Frame for 44602	71
AR818	Warming Plate for 44602	21	AR842	Steel Ball $\Phi 5.5$ for 44602	46	AR866	Grinding Motor for 44602	72
AR819	Adjusting Knob of Coffee Powder for 44602	22	AR843	Spring for Cutter for 44602	47	AR867	Powder Feedbacker Holder for 44602	74
AR820	Buckle Fixed Pin for 44602	23	AR844	Spring Jacket for 44602	48	AR868	Powder Feedbacker for 44602	75
AR821	Decorating Plate of Upper Cover Plate for 44602	24	AR845	Powder Barrel's Inner Support for 44602	49	AR869	Backboard for 44602	76

Parts Breakdown

Model CM-CN-0019 44602

Item No.	Description	Position	Item No.	Description	Position	Item No.	Description	Position
AR870	Power Switch for 44602	78	AR897	Solenoid Valve Shell for 44602	107	AR924	Moulding Powder Motor for 44602	134
AR871	Tapping Screw ST2.9x12 for 44602	79	AR898	Micro Switch for 44602	108	AR925	Screw on Moulding Powder Machine M3x4 for 44602	135
AR872	Right Side Plate for 44602	80	AR899	Rubber Footing for 44602	109	AR926	Helical Gear for 44602	136
AR873	Power Line for 44602	81	AR900	Electromagnetic Valve Protector for 44602	110	AR927	Transmission Shaft for 44602	137
AR874	Screw Limited Frame for 44602	82	AR901	120°Connector for 44602	111	AR928	Set Screw for 44602	138
AR875	Screw for Adjusting Powder for 44602	83	AR902	Boiler Connector Snapwire for 44602	112	AR929	Locating Plastic for Moulding Powder Machine (Right) (Trepanning) for 44602	139
AR876	Screw Base for Adjusting Powder for 44602	84	AR903	Solenoid Valve Nose Spike Post for 44602	113	AR930	Underside Plastic Case for 44602	140
AR877	Right Plastic Frame for 44602	85	AR904	Solenoid Valve for 44602	114	AR931	Moulding Powder Machine Feedbacker for 44602	142
AR878	Boiler's Plastic Frame for 44602	86	AR905	Sealing-Plug on Right Plastic Frame for 44602	115	AR932	Moulding Powder Machine Feedbacker Holder for 44602	143
AR879	Boiler Subassembly for 44602	87	AR906	Boiler Water Tube for Entering for 44602	116	AR933	Fixing Turbine Frame 2 for 44602	144
AR880	Trough for Hose 1 for 44602	88	AR907	Steel Snapwire for 44602	117	AR934	Shaft Liner for Fixing Turbine for 44602	145
AR881	Nut M6 for 44602	89	AR908	Pump Check Valve for 44602	118	AR935	Turbine for 44602	146
AR882	Screw M6x16 for 44602	90	AR909	O-Ring in Pump for 44602	119	AR936	Fixing Turbine Frame 1 for 44602	147
AR883	Screw M4x8 for 44602	91, 94, 141	AR910	ULKA Pump for 44602	120	AR937	Flat Spacer for 44602	149, 194
AR884	Spring Spacer $\Phi 4$ for 44602	92, 95, 195	AR911	Pump Protector for 44602	121	AR938	Upside Rising Pipe on Moulding Powder Mechanism for 44602	150
AR885	Temperature Sensor Line for 44602	93	AR912	Water Pipe for Rising from Teejunction for 44602	122	AR939	Slot for Upside Rising Pipe for 44602	151
AR886	Valve Body for 44602	96	AR913	Pump Footing for 44602	123	AR940	Cover Plate for Upside Rising Pipe for 44602	152
AR887	Coniform Rubber Cap for 44602	97	AR914	Jet-Steam Water Pipe for 44602	124	AR941	Feeding Gearwheel for 44602	153
AR888	Plastic Mandril for 44602	98	AR915	Pume Water Tube for Entering $\phi 8.5 \times 170 \times \phi 5$ for 44602	125	AR942	O-Ring in the Middle Water Pipe for 44602	154
AR889	O-Ring for Pipe for 44602	99	AR916	Spoon for 44602	126	AR943	Middle Water Pipe for 44602	155
AR890	Spring Cap for 44602	100	AR917	Counter for 44602	127	AR944	Spring $\Phi 4.6 \times 20$ for 44602	156
AR891	Truncated Cone Spring for 44602	101	AR918	Gear Clamp Spring for 44602	128, 172	AR945	Rubber Cap for 44602	157
AR892	Check Valve Cap for 44602	102	AR919	Gear for 44602	129	AR946	Bucket for 44602	158
AR893	Fuse Tableting for 44602	103	AR920	Copper Shaft Liner for 44602	130	AR947	Bucket O-Ring for 44602	159
AR894	Fuse Jacket for 44602	104	AR921	Upside Plastic Case for 44602	131	AR948	Sieve for 44602	160
AR895	Fuse for 44602	105	AR922	Brass Spacer for 44602	132	AR949	Countersunk Head Tapping Screws ST3.5x12C for 44602	161
AR896	Teejunction for 44602	106	AR923	Locating Plastic for Moulding Powder Machine (Left) for 44602	133	AR950	Upside Plate (Left) for 44602	162

Parts Breakdown

Model CM-CN-0019 44602

Item No.	Description	Position	Item No.	Description	Position	Item No.	Description	Position
AR951	Upside Plate (Right) for 44602	163	AR976	Water Pipe Brow Plate for 44602	189	AS001	Showing Window for 44602	216
AR952	Hanger on Moulding Powder Mechanism for 44602	164	AR977	Water Level Feedback Holder for 44602	190	AS002	Small Button (Height) for 44602	217
AR953	Underside Plate (Right) for 44602	165	AR978	Water Level Feedbacker for 44602	191	AS003	Small Button (Low) for 44602	218
AR954	Plunger O-Ring for 44602	166	AR979	Keeping lines' Plastic for 44602	192	AS004	Holder of Big Button for 44602	219
AR955	Plunger for 44602	167	AR980	EMI Power Line Filter for 44602	193	AS005	Big Button for 44602	220
AR956	Plunger Screw for 44602	168	AR981	Screw M3x12(Non-Standard) for 44602	196	AS006	Holder of Display Screen for 44602	221
AR957	Powder Bucket for 44602	169	AR982	Transformer for 44602	197	AS007	Display Board for 44602	222
AR958	Main Support for Feeding for 44602	170	AR983	Terminal Block for 44602	198	AS008	Left Key-Press Cap for 44602	223
AR959	Underside Plate (Left) for 44602	171	AR984	Transformer Holder for 44602	199	AS009	Key-Press for Rotary Encode for 44602	224
AR960	Stainless Steel Shaft for 44602	173	AR985	Keeping Lines' Rubber Strip for 44602	200	AS010	Light Guiding Ring of Knob for 44602	225
AR961	Upside O-Ring on Teejunction for 44602	174	AR986	Keeping Lines' Board for 44602	201	AS011	Outside Decorating Frame of Knob for 44602	226
AR962	Teejunction for 44602	175	AR987	Connecting Left and Right Plastic Frame Plate for 44602	202	AS012	Plastic Spring for 44602	227
AR963	Water Distributable Support for 44602	176	AR988	Left Plastic Frame for 44602	203	AS013	Inside Decorating Frame of Knob for 44602	228
AR964	Thimble Guide Pin for 44602	177	AR989	Coffee Grounds Container for 44602	204	AS014	Holder of Left Knob for 44602	229
AR965	Nose Spike for 44602	178	AR990	Plastic Scaleboard for Control Board for 44602	205	AS015	Rotary Encode Holder 1 for 44602	230
AR966	Spring $\Phi 8.6 \times 24$ for 44602	179	AR991	Coffee Grounds Container Tray for 44602	206	AS016	Rotary Encode Control Panel for 44602	231
AR967	Underside Admitting Pipe on Moulding Powder Mechanism for 44602	180	AR992	Power Board for 44602	207	AS017	Back Cover Plate for 44602	233
AR968	Right Seal for 44602	181	AR993	Coffee Grounds Container Stainless Steel Plate for 44602	208	AS018	PCB Plate for Big Button for 44602	234
AR969	Rubber Seal for 44602	182	AR994	Left Side Plate for 44602	209	AS019	Medium Diversion Mouth for 44602	235
AR970	Rising Basal Body for 44602	183	AR995	Indicative Mark for Drip Water for 44602	210	AS020	Keeping Lines' Cap for 44602	236
AR971	Left Outlet for 44602	184	AR996	Cover Plate of Drip Tray for 44602	211	AS021	Underside Cover of Main Control Panel for 44602	237
AR972	Upside Cover Plate for 44602	185	AR997	Drip Grate for 44602	212	AS022	Function Control Panel for 44602	238
AR973	Pinion for 44602	186	AR998	Decorating Plate of Operating Zone for 44602	213	AS023	Upside Cover of Main Control Panel for 44602	239
AR974	Shaft Liner for 44602	187	AR999	Brand Plate for 44602	214	AS024	Keeping Lines' Quadrate Cap for 44602	240
AR975	Underside Cover Plate for 44602	188	AS000	Top Decorating Plate for 44602	215	AS025	Black Keeping Lines' Cap for 44602	241

Parts Breakdown

Model CM-CN-0019 44602

Item No.	Description	Position	Item No.	Description	Position	Item No.	Description	Position
AS026	Keeping Lines' Rubber Ring for 44602	242	AS044	Steam Pipe Sheath for 44602	260	AS062	Knob for 44602	278
AS027	Holder of Right Knob for 44602	243	AS045	O-Ring in Two-Way Rising Valve (Big) for 44602	261	AS063	Knob Connector for 44602	279
AS028	Rising Turn-Button Valve for 44602	244	AS046	O-Ring in Two-Way Rising Valve (Small) for 44602	262	AS064	Function Prescribing Board for 44602	280
AS029	Electromagnetic Switch Panel for 44602	245	AS047	Rising Pipe for 44602	263	AS065	Stopple Cap for 44602	281
AS030	Valve Core Nose Spike for 44602	246	AS048	Block Ring for 44602	264	AS066	Stopple Rubber for 44602	282
AS031	Valve Core Spring $\Phi 6 \times 17$ for 44602	247	AS049	Main Operate Panel Body for 44602	265	AS067	Stopple for 44602	283
AS032	Valve Core Body for 44602	248	AS050	LED for 44602	266	AS068	Rubber Main Body for 44602	284
AS033	Knob Platic for 44602	249	AS051	Water Tube Joint (Short) for 44602	267	AS069	Water Pipe Connector for 44602	285
AS034	Magnet for 44602	250	AS052	Rubber Connect Pipe for 44602	268	AS070	Adjunct Water Pipe for 44602	286
AS035	Fixing Anchor of Turn-Button for 44602	251	AS053	Stainless Steel Outlet Sleeve for 44602	269	AS071	Inner Liner of Stainless Steel Coat for 44602	287
AS036	Right Knob for 44602	252	AS054	Outlet Sleeve O-Ring for 44602	270	AS072	Stainless Steel Coat for 44602	288
AS037	Right Compressing for 44602	253	AS055	Underside Outlet for 44602	271	AS073	Grinding Mechanism Subassembly for 44602	A
AS038	Left Compressing for 44602	254	AS056	Handle of Coffee Spout for 44602	272	AS074	Moulding Powder Motor Subassembly for 44602	B
AS039	Steam Pipe Subassembly for 44602	255	AS057	Decorating Ring of Spout for 44602	273	64259	Two-Way Check Valve Subassembly for 44602	C
AS040	Two-Way Water Pipe for 44602	256	AS058	Downside Decorating Sheet for 44602	274	AS075	The Operation Component for 44602	D
AS041	Rising Two-Way Valve for 44602	257	AS059	Coffee Spout for 44602	275	AS076	Nut Screw for 44602	
AS042	Steam Pipe Bracket for Fixing for 44602	258	AS060	Coffee Overflow Pipe for 44602	276			
AS043	Steam Pipe Block for Fixing for 44602	259	AS061	Sliding Sheet for 44602	277			