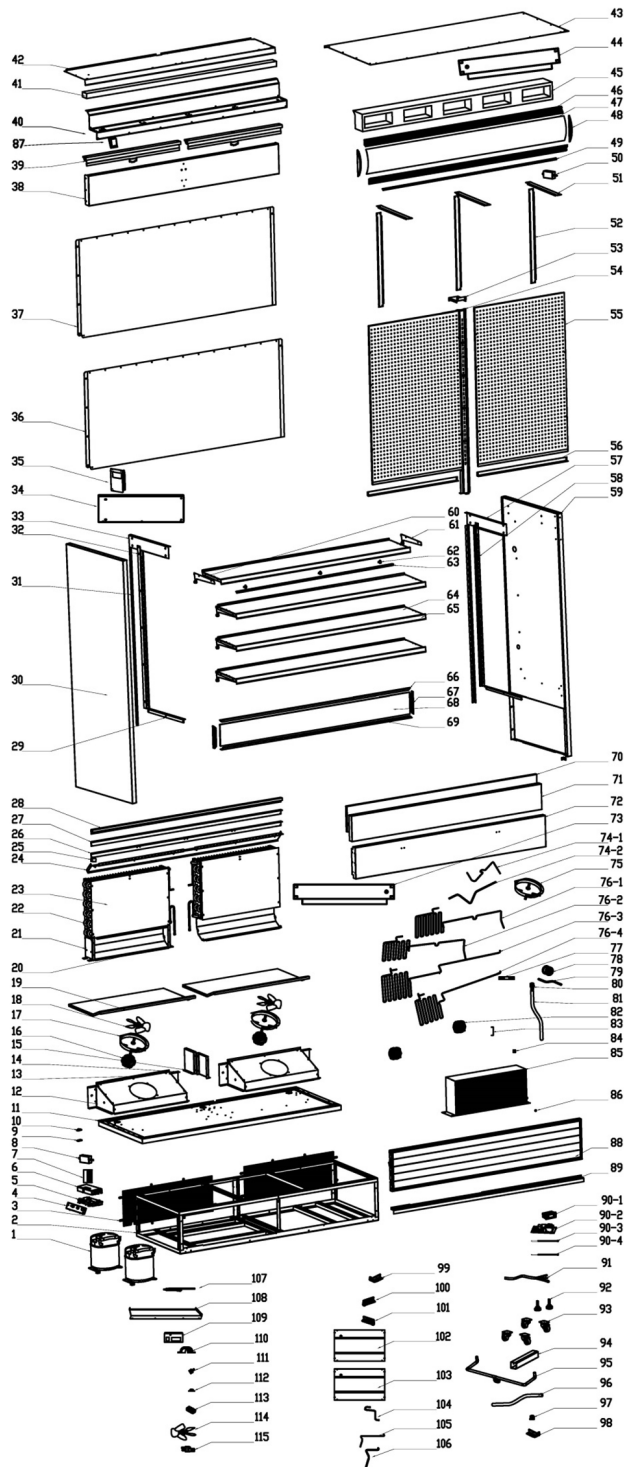


Parts Breakdown

Model **RS-CN-1050-B** 48269



Parts Breakdown

Model RS-CN-1050-B 48269

Item No.	Description	Position	Item No.	Description	Position	Item No.	Description	Position
AP414	Compressor for 48269	1	67676	Crosspiece of Back Foam for 48269	26	67684	Vertical Plate of Back Foam for 48269	52
AP434	Base for 48269	2	66105	Back Upper Crosspiece for 48269	27	60686	Holding Plate of Back Foam Crosspiece for 48269	53
60599	Mesh Guard in Base for 48269	3	67677	Thicker Crosspiece of Back Ventilated Board for 48269	28	AQ695	Middle Support Pillar of Shelf for 48269	54
A0860	Wiring Box for 48269	4	60610	Parry of Lower Air Intake for 48269	29	AQ696	Ventilated Board for 48269	55
61167	Circuit Board Box for 48269	5	AQ661	Left Side Board	30	60703	Back Support for Board at Air Intake for 48269	56
60594	Cover of Circuit Board Box for 48269	6	60613	Dead Plate of Rear Foam for 48269	31	60629	Parry of Right Lining Plate for 48269	57
A0861	Cap of Juncting Box for 48269	7	AQ662	Left Support Pillar of Shelf for 48269	32	AQ669	Right Support Pillar of Shelf for 48269	58
A0862	LED Transformer for 48269	8, 50	60615	Parry of Right Lining Plate for 48269	33	AQ670	Right Side Board for 48269	59
60676	Wire Clip Holder for 48269	9	AP435	Right Windshield of Condenser for 48269	34	A0905	Left/Right Support Pillar of Shelf for 48269	60, 61
60677	Wire Clip Cover for 48269	10	AP436	Left Windshield of Condenser for 48269	35	AP437	Jump Ring of LED Light for 48269	62
60679	Foam of Base Plate for 48269	11	AQ689	Lower Back Plate for 48269	36	A0924	LED for 48269	63
60680	Left Board of Evaporator Cover for 48269	12	AQ690	Upper Back Plate for 48269	37	AP438	General Assembly for Shelves for 48269	64
60603	Evaporator Cover for 48269	13	AQ691	Upper Front Board for 48269	38	60709	Price Tag Holder for 48269	65
60681	Left Plate of Evaporator Motor for 48269	14	60692	Night Curtain for 48269	39	60712	Decorating Strip of Glass Deflector for 48269	66
60684	Middle Support Pillar of Air Intake for 48269	15	AQ692	Damper of Upper Air Outlet for 48269	40	60710	Strip of Glass Deflector 2 for 48269	67
A0892	Evaporator Fan Motor for 48269	16	60694	Honeycomb Panel for 48269	41	67686	Glass Deflector for 48269	68
60932	Fan Guard for 48269	17	AQ693	Cover of Upper Air Outlet for 48269	42	60645	Strip of Glass Deflector for 48269	69
60640	Fan Blade for 48269	18	AQ694	Upper Cover Plate for 48269	43	60713	Lower Front Board Components for 48269	70
AQ688	Plate of Left/Right Air Intake for 48269	19	A0920	The Left of the Evaporator Water Box for 48269	44	60714	PE for Lower Board for 48269	71
60605	Evaporator Ventilation Damper for 48269	20	60698	Lining Foam for 48269	45	AQ697	Lower Front Board for 48269	72
60604	Evaporator Holder for 48269	21	60700	Lampshade Frame for 48269	46	A0927	The Right Side of the Evaporator Water Box for 48269	73
A0864	Evaporator for 48269	22	60701	Lampshade for 48269	47	AP439	Right Joint Pipe of Compressor for 48269	74-1
60607	Evaporator Damper for 48269	23	60628	Holder of Lampshade Frame for 48269	48	AP440	Left Joint Pipe of Compressor for 48269	74-2
60683	Evaporator Wind Screen for 48269	24	A0921	LED Light Box for 48269	49	60641	Flange 2 for 48269	75
A0912	Shock-Absorbing Parts for 48269	25	60696	Vertical Plate of Upper Foam for 48269	51	AP441	Right Bottom High Pressure Evaporating Tube for 48269	76-1

Parts Breakdown

Model RS-CN-1050-B 48269

Item No.	Description	Position	Item No.	Description	Position	Item No.	Description	Position
AP442	Left Bottom High Pressure Evaporating Tube for 48269	76-2	AQ699	Lower Front Crosspiece for 48269	89	AP448	Left Front Bracket of Evaporating Pan for 48269	101
AP443	Right Top High Pressure Evaporating Tube for 48269	76-3	67648	Temperature Display for 48269	90-1	AP449	Bottom Evaporating Pan Assembly for 48269	102
AP444	Left Top High Pressure Evaporating Tube for 48269	76-4	AP424	Main Circuit Board for 48269	90-2	AP450	Top Evaporating Pan Assembly for 48269	103
A0929	The Bracket on the Water Pipe for 48269	77	A0934	Temperature Probe for 48269	90-3	AP451	High Pressure Evaporation Connect Tube for 48269	104
70106	Dry Filter for 48269	78	A0887	Defrost Probe for 48269	90-4	AP452	Connecting Tube for Right Condenser and Dry Filter for 48269	105
AP422	Joint Pipe of Dry Filter for 48269	79	AC057	Power Cord for 48269	91	AP453	Connecting Tube for Left Condenser and Dry Filter for 48269	106
A0930	Drain Joint for 48269	80	60672	Feet for 48269	92	AP429	Tee Joint for 48269	107
A0931	Drain Pipe for 48269	81	AL357	Castor for 48269	93	AP454	Top Baffle Board of Condenser for 48269	108
70111	Fan Motor for 48269	82	60590	PVC Trucking for 48269	94	AP403	Switch Display Bracket for 48269	109
A0932	Under-Wear Pipe Bracket for 48269	83	A0888	PVC Pipe for 48269	95	A0865	Filter Pressure Plate for 48269	110
60633	Side Plate Connector for 48269	84	60668	Drain Pipe for 48269	96	68398	Copper Connection for 48269	111
AP423	Condenser for 48269	85	60670	PPR Tube Strap for 48269	97	60669	Pressing Plate of Dry Filter for 48269	112
68301	Strong Magnet for 48269	86	AP445	Right Rear Bracket of Evaporating Pan for 48269	98	AP432	Wago Wire Connector for 48269	113
71514	Switch (Green) for 48269	87	AP446	Right Front Bracket of Evaporating Pan for 48269	99	60933	Fan Blade for 48269	114
AQ698	Window Shutter for 48269	88	AP447	Left Rear Bracket of Evaporating Pan for 48269	100	AP433	American Plug for 48269	115