



TABLES AND SINKS

SERVING THE FOOD INDUSTRY SINCE 1951

KNOCK-DOWN WORKTABLES WITH CABINETS WITH OVERHANG EDGES

430 S/S ▶ Items 24397, 24398, 24399
24403, 24404, 24405

304 S/S ▶ Items 24400, 24401, 24402
24406, 24407, 24408

Work efficiently with Omcan's knock-down worktables with cabinets with flush edges. Ideal for any commercial kitchen to help food preparation in a busy, fast-paced setting. Featuring an all 430 and 304 stainless steel, these worktables have enclosed cabinets with sliding doors and recessed handles to easily store kitchen equipment and other products in need.



WARRANTY



SHIPPED ON PALLET



Authorized Dealer

TABLES AND SINKS

KNOCK-DOWN WORKTABLES WITH CABINETS - OVERHANG EDGES



24397



24403

430 Stainless Steel Knock-Down Worktables with Cabinets and 3" Overhangs

- 18 Gauge
- 430 Stainless Steel
- Enclosed cabinet with sliding doors and recessed handle
- Stainless steel bullet feet
- 4" x 1" backsplash
- NSF approved

ITEM	DESCRIPTION (D x W)	MIDSHELF CAPACITY	TOP CAPACITY	UNDERSHELF CAPACITY	HEIGHT	PACKAGING WEIGHT	PACKAGING DIMENSIONS
24397	30" x 48" / 762 x 1219.2 mm	260 lbs 117.9 kg	690 lbs 313 kg	420 lbs 90.5 kg	34" 863.6 mm	118 lbs. / 53.64 kg.	50" x 33" x 8" 1270 x 838.2 x 203.2 mm
24398	30" x 60" / 762 x 1524 mm	270 lbs 122.5 kg	750 lbs 340.2 kg	440 lbs 199.6 kg	34" 863.6 mm	140 lbs / 63.64 kg.	62" x 33" x 8" 1574.8 x 838.2 x 203.2 mm
24399	30" x 72" / 762 x 1828.8 mm	280 lbs 127 kg	810 lbs 367.4 kg	460 lbs 208.7 kg	34" 863.6 mm	162 lbs. / 73.64 kg.	74" x 33" x 8" 1879.6 x 838.2 x 203.2 mm
24403	30" x 48" with 4" Backsplash	260 lbs 117.9 kg	690 lbs 313 kg	420 lbs 190.5 kg	38" 965.2 mm	125 lbs. / 56.82 kg.	50" x 33" x 12" 1270 x 838.2 x 304.8 mm
24404	30" x 60" with 4" Backsplash	270 lbs 122.5 kg	750 lbs 340.2 kg	440 lbs 199.6 kg	38" 965.2 mm	145 lbs. / 65.91 kg.	62" x 33" x 12" 1574.8 x 838.2 x 304.8 mm
24405	30" x 72" with 4" Backsplash	280 lbs 127 kg	810 lbs 367.4 kg	460 lbs 208.7 kg	38" 965.2 mm	167 lbs / 75.91 kg.	74" x 33" x 12" 1879.6 x 838.2 x 304.8 mm



OMCAN INC.

Telephone: 1-800-465-0234
 Fax: (905) 607-0234
 Email: sales@omcan.com
 Website: www.omcan.com



Follow us to keep up to date with the latest news and offers



TABLES AND SINKS

KNOCK-DOWN WORKTABLES WITH CABINETS - OVERHANG EDGES



24400



24408

304 Stainless Steel Knock-Down Worktables with Cabinets and 3" Overhangs

- 18 Gauge
- 304 Stainless Steel
- Enclosed cabinet with sliding doors and recessed handle
- Stainless steel bullet feet
- 4" x 1" backsplash
- NSF approved

ITEM	DESCRIPTION (D x W)	MIDSHELF CAPACITY	TOP CAPACITY	UNDERSHELF CAPACITY	HEIGHT	PACKAGING WEIGHT	PACKAGING DIMENSIONS
24400	30" x 48" / 762 x 1219.2 mm	260 lbs 117.9 kg	690 lbs 313 kg	420 lbs 90.5 kg	34" 863.6 mm	117 lbs. / 53 kg.	50" x 33" x 8" 1270 x 838.2 x 203.2 mm
24401	30" x 60" / 762 x 1524 mm	270 lbs 122.5 kg	750 lbs 340.2 kg	440 lbs 199.6 kg	34" 863.6 mm	134 lbs. / 60.78 kg.	62" x 32" x 8" 1574.8 x 812.8 x 203.2 mm
24402	30" x 72" / 762 x 1828.8 mm	280 lbs 127 kg	810 lbs 367.4 kg	460 lbs 208.7 kg	34" 863.6 mm	156 lbs. / 70.76 kg.	74" x 32" x 8" 1879.6 x 812.8 x 203.2 mm
24406	30" x 48" with 4" Backsplash	260 lbs 117.9 kg	690 lbs 313 kg	420 lbs 90.5 kg	38" 965.2 mm	122 lbs. / 55.33 kg.	49" x 31" x 11" 1244.6 x 787.4 x 279.4 mm
24407	30" x 60" with 4" Backsplash	270 lbs 122.5 kg	750 lbs 340.2 kg	440 lbs 199.6 kg	38" 965.2 mm	140 lbs. / 63.5 kg.	62" x 32" x 11" 1574.8 x 812.8 x 279.4 mm
24408	30" x 72" with 4" Backsplash	280 lbs 127 kg	810 lbs 367.4 kg	460 lbs 208.7 kg	38" 965.2 mm	163 lbs. / 74 kg.	74" x 33" x 11" 1879.6 x 838.2 x 279.4 mm



OMCAN INC.

Telephone: 1-800-465-0234
 Fax: (905) 607-0234
 Email: sales@omcan.com
 Website: www.omcan.com



Follow us to keep up to date with the latest news and offers

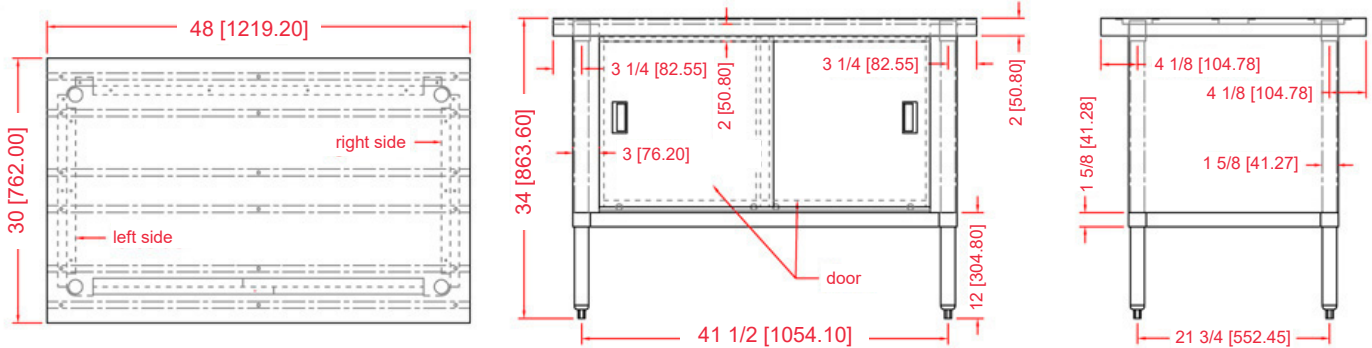


TABLES AND SINKS

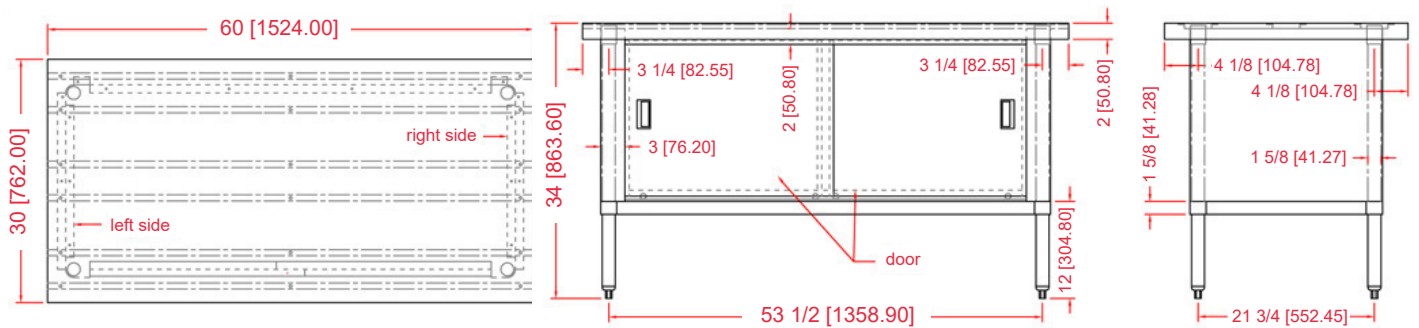
KNOCK-DOWN WORKTABLES WITH CABINETS - OVERHANG EDGES



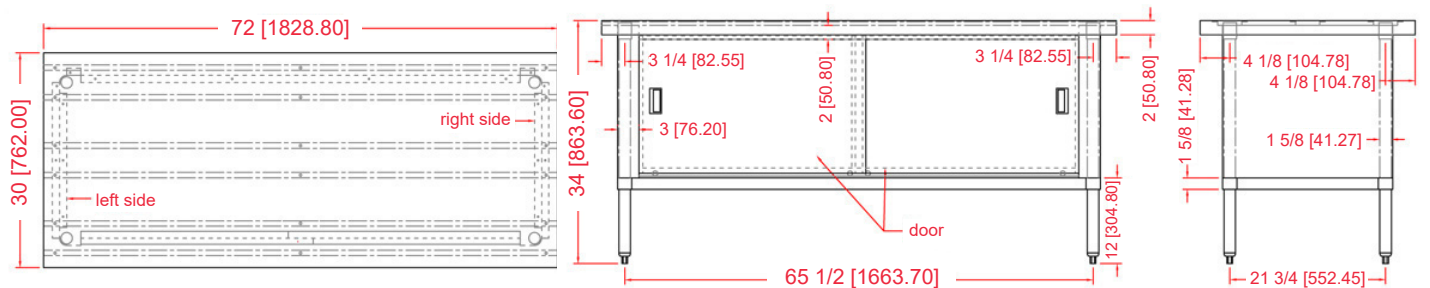
TECHNICAL DRAWINGS AND DIMENSIONS FOR 24397 / 24400



TECHNICAL DRAWINGS AND DIMENSIONS FOR 24398 / 24401



TECHNICAL DRAWINGS AND DIMENSIONS FOR 24399 / 24402



OMCAN INC.

Telephone: 1-800-465-0234

Fax: (905) 607-0234

Email: sales@omcan.com

Website: www.omcan.com



Follow us to keep up to date with the latest news and offers



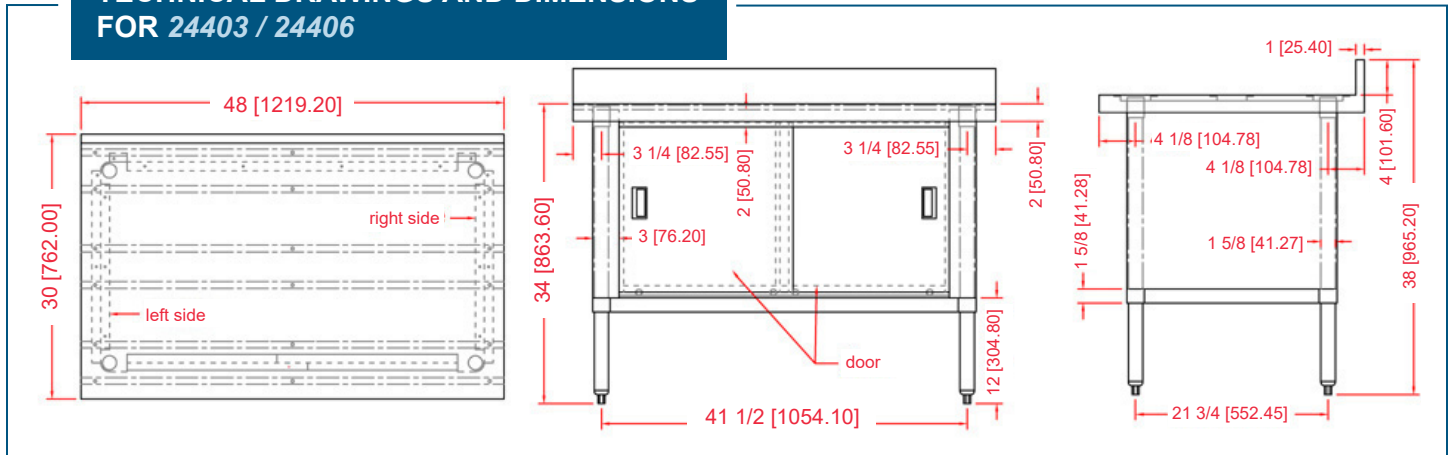
2016.E.O.E

TABLES AND SINKS

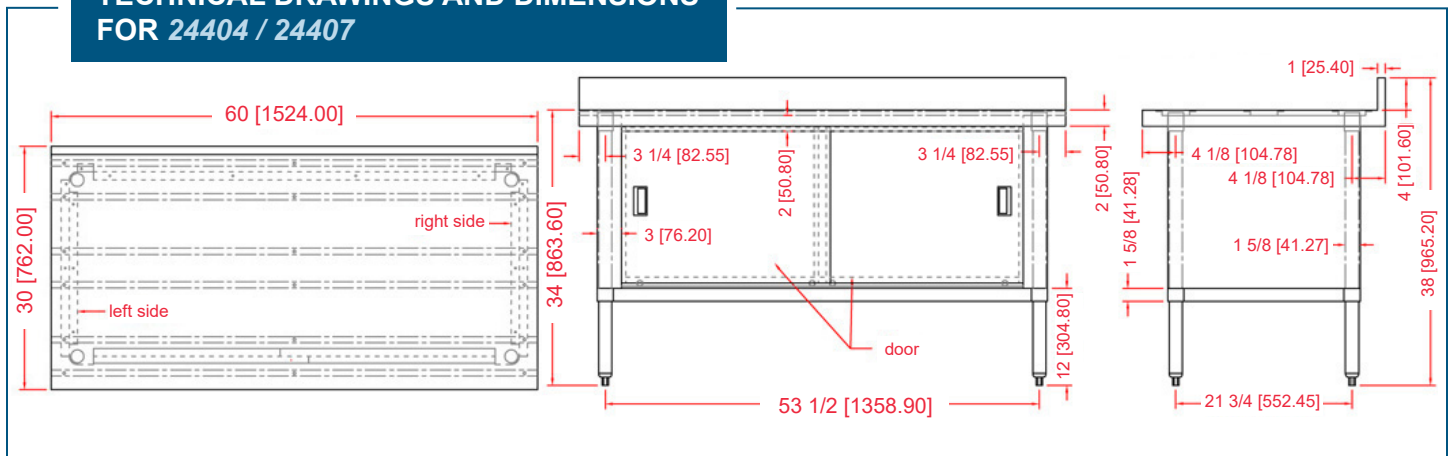
KNOCK-DOWN WORKTABLES WITH CABINETS - OVERHANG EDGES



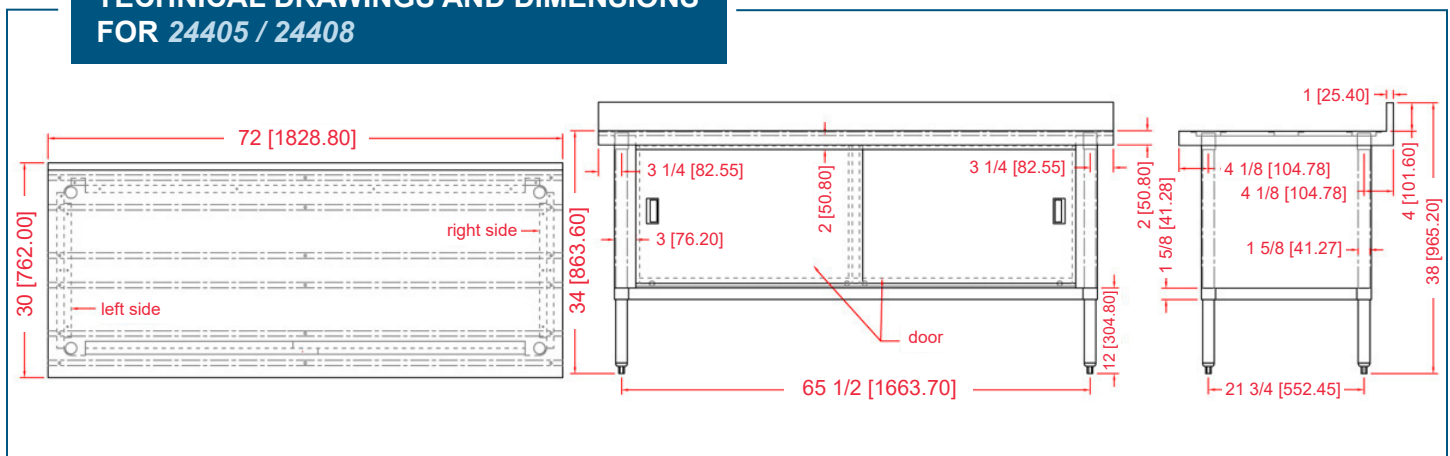
TECHNICAL DRAWINGS AND DIMENSIONS FOR 24403 / 24406



TECHNICAL DRAWINGS AND DIMENSIONS FOR 24404 / 24407



TECHNICAL DRAWINGS AND DIMENSIONS FOR 24405 / 24408



OMCAN INC.

Telephone: 1-800-465-0234

Fax: (905) 607-0234

Email: sales@omcan.com

Website: www.omcan.com



Follow us to keep up to date with the latest news and offers



2016.E.O.E